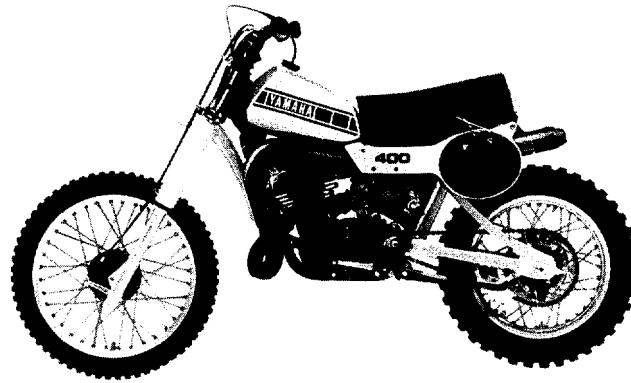




YAMAHA

PARTS CATALOGUE

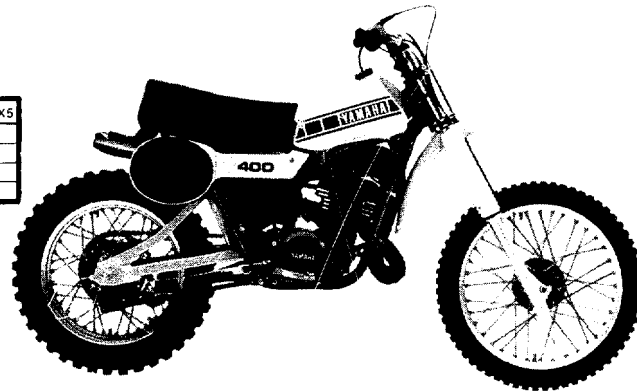
YZ400F MODEL YEAR 1979



(A) Frame Serial No.	2X5-000101 and following
(B) Engine Serial No.	2X5-000101 and following

MODEL — (BM I.D. NUMBER)	YZ400F	2X5
Initial Engine Number/Frame Number	2X5-000101 / 2X5-000101	
Basic Color(s)	Competition Yellow	
Fuel Type/Fuel Tank Capacity/Reserve Capacity	Premium / 7.6 Lit. (2.0 Gal.) / φ	
Dry Vehicle Weight	102 kg (225 lbs.)	

PUBLICATION	PART NUMBER	REMARKS
OWNER'S MANUAL	LIT 116260132	OWNER'S/SERVICE
SERVICE MANUAL	LIT	
ASSEMBLY MANUAL	LIT 116660133	COMBINED YZ 250 F
LEAFLET	LIT 111192600	
DEALER ASS'Y & PRE-DELIVERY CHECKLIST	LIT 12588-00-78	



FOREWORD

— INTRODUCTION — To The Yamaha Parts Fiche

This parts fiche lists parts and sub-assemblies for the YZ400F. When preparing a parts order, please refer to the most recently updated microfiche for this model.

THE YAMAHA PARTS FICHE

SYMBOLS

[]	Inactive, no longer available
U.R.	Use size (thickness) and/or number as required
U.N.	Use as many as you need
T	Number of teeth in a gear
V	Voltage for light bulbs
S	"S" type oil seal or "S" type circlip
SD, SO, SW	"SD", "SO", or "SW" type oil seal
ER	"D" or "R" type circlip
F/No.	Frame No. (Applicable Machine No.)

SUPERSEDED PART NUMBERS

If part 'A' has been superseded by part 'B', the superseding part number "B" will appear in the part number listing with the superseded part number "A" appearing in parentheses immediately following the description.

EXAMPLE:

Ref. No.	Part No.	Description	Qty.
	(Part 'B')	(Part 'A')	
B	123-45678-00-00	CYLINDER (111-12345-00)	1

A part that has been superseded to a kit may be identified by a 99999-00000 part number appearing in the part number column. The old superseded part number will appear in parentheses immediately following the description. Listed directly below the 99999 part number will be those parts making up the kit. The description of the parts making up the kit will be preceded by a small black dot (.) and the description will be indented one letter space.

EXAMPLE:

Ref. No.	Part No.	Description	Qty.
B	99999-12345-00	CYLINDER (111-12345-00)	1
	234-56789-00-00	. HEAD, cylinder	1
	345-67890-00-00	. GASKET, cylinder	1

SIZES

Except for steel balls (ball sizes are indicated in inches), all parts sizes are indicated in millimeters as in the following examples:

Hose (Rubber or Vinyl) Inside Diameter - Length
O-Ring Section Area - Inside Diameter
Washer, Shim, Collar Inside Diameter - Outside Diameter Thickness (Length)

ASSEMBLIES AND COMPONENT PARTS

Assemblies and their component parts are identified by an indentation of one letter space, and the description is preceded by a dot (.). If 2 main assemblies are listed, and have the same basic description (i.e., left and right sides of the same assembly), one will immediately follow the other. If each of these main assemblies is made up of almost the same components, these component parts will be listed immediately under the second main assembly line and will be indicated, as noted above.

If the component is the same for both main assemblies, the quantity indicated will be the total required. If the component is not the same for both main assemblies, the quantity for each separate item will be listed separately.

EXAMPLES:

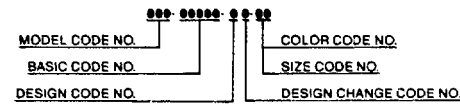
Description	Qty.
CARBURETOR ASS'Y, left	1
CARBURETOR ASS'Y, right	1
. JET, pilot	2
. NOZZLE, main	2
. LEVER, starter, left	1
. LEVER, starter, right	1

FOREWORD

THE YAMAHA PART NUMBER

The Yamaha part number consists of 12 digits. Each number represents a specific piece of information relating to a replacement part. The following is a guide for reading and interpreting the Yamaha part number.

BASIC PART NUMBER CONFIGURATION:



MODEL CODE NUMBER

FIRST THREE DIGITS... **000-00000-00-00**

Every model in each Yamaha product line is assigned a model number to identify that particular model. All component parts are given the model code number relating to the model on which they were first used.

EXAMPLE: **2K3-00000-00-00** identifies the XS750D.
2F4-00000-00-00 identifies the GT80E.

BASIC CODE NUMBER

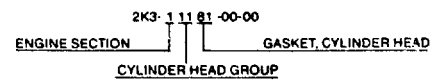
MIDDLE FIVE DIGITS... **000-00000-00-00**

These "Middle Five Digits" indicate the type of part i.e., piston, rings, lower units, etc. The five digits are broken down as follows:



The "Major Classification" indicates the section to which the parts belong, i.e., engine, electrical, etc. The "Intermediate" and "Minor Classifications" indicate more specific details.

EXAMPLE:



DESIGN CODE NUMBER: 000-00000-00-00

The design code distinguishes like component parts from one another when specification differences are involved. For example, distinguishing a standard size piston ring from an oversized piston ring.

EXAMPLE: **4U8-11610-010-00** Standard Piston Ring Set for XJ550H
4U8-11610-120-00 Oversize Piston Ring Set for XJ550H

DESIGN CHANGE CODE NUMBER: 000-00000-00-00

This code number is used to identify a difference between a new component part and old one when a new part is created by changing the old one.

EXAMPLE:

4U8-11610-010-00 XJ550H Piston Ring Set, std. - ORIGINAL
4U8-11610-011-00 XJ550H Piston Ring Set, std. - FIRST DESIGN CHANGE

Only major changes to performance, durability, quality, appearance, cost or interchangeability will affect a part number change.

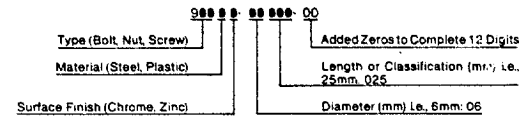
COLOR CODE & SIZE CODE NUMBER: 000-00000-00-00

When applicable, the last two digits of the part number identify:

1. Color Code: The painted color or type of plating or surface treatment used on certain parts.
2. Size Code: The last two digits are also used to show the size of parts (mm). Such as the thickness of shims or the size of pistons.

FOREWORD

HARDWARE (Fastener) PART NUMBER CONFIGURATION:



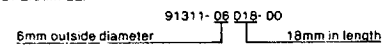
TYPE:

A fastener part number always begins with the number "9" followed by either a 0, 1, 2, 3, 4, 5, 7 or 8 designating one of eight major divisions within this group.

- EXAMPLE. 90000-00000-00 "0" designates various types.
 91000-00000-00 "1" designates bolts, cotter pins, etc.
 92000-00000-00 "2" designates screws, nuts, etc.
 93000-00000-00 "3" designates oil seals, o-rings, bearings, etc.
 94000-00000-00 "4" designates spark plugs.
 95000-00000-00 "5" designates bolts and nuts.
 97000-00000-00 "7" designates ISO bolts.
 98000-00000-00 "8" designates ISO screws and nuts.

The only major divisions which the mechanic should become familiar with are those related to the general hardware (nuts, bolts, and washers), since these are the most commonly used and most often replaced items. By knowing how to interpret the part number, the dimensions of a piece of hardware can be determined. This can be very helpful during major engine repair, and general parts replacement.

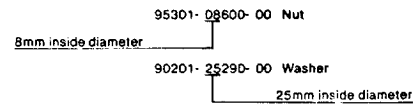
BOLT EXAMPLE:



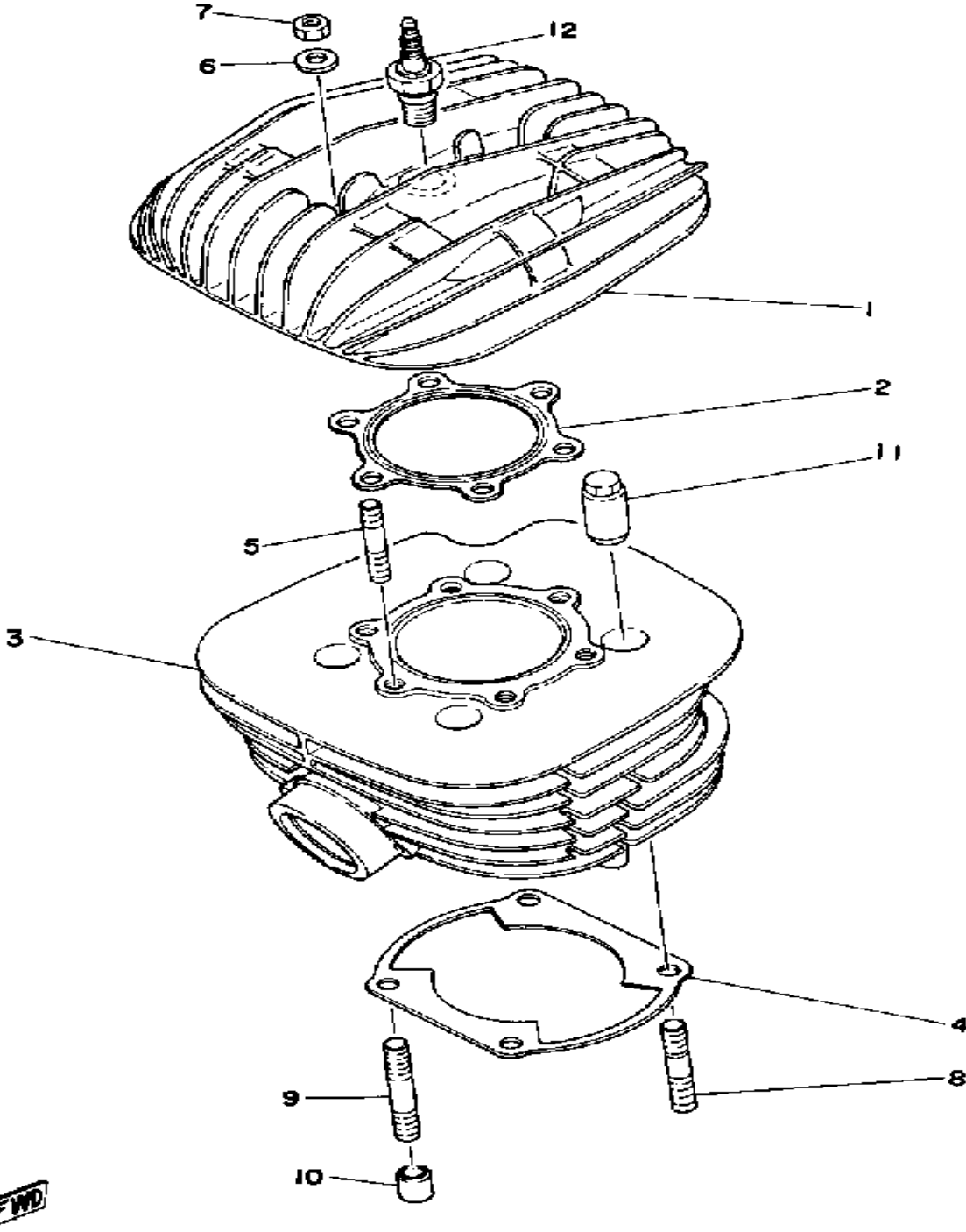
EXCEPTION:

It is NOT possible to identify the LENGTH of bolts having a 901 prefix. Only the bolt diameter can be identified with this number.

NUT AND WASHER EXAMPLE:



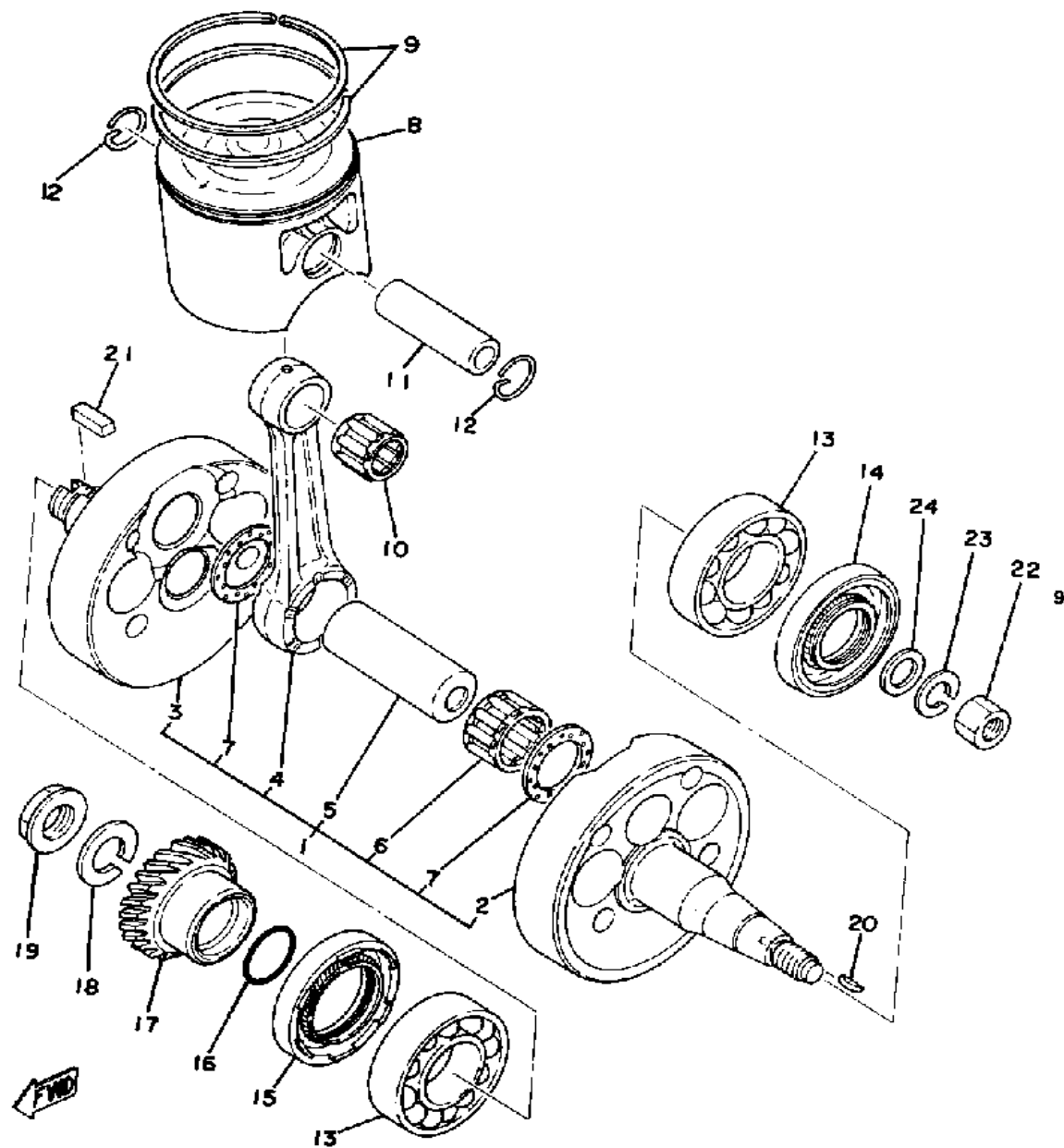
CYLINDER HEAD-CYLINDER



Ref. No.	Part Number	Description	Qty	Remarks
1	(2X5-11111-00-00)	HEAD, CYLINDER 1	1	
2	500-11181-00-00	GASKET, CYLINDER HEAD 1 .	1	
3	(2X5-11311-00-00)	CYLINDER 1	1	
4	2X5-11351-00-00	GASKET, CYLINDER	1	
5	90116-08321-00	BOLT, STUD	6	
6	90201-08100-00	WASHER, PLATE	6	
7	95333-08600-00	NUT	6	
8	90116-10263-00	BOLT, STUD	2	
9	90116-10258-00	BOLT, STUD	2	
10	99530-14016-00	PIN, DOWEL	2	
11	90179-10201-00	NUT	4	
12	(2X5-W1160-00-00)	O W KIT		OPTIONAL PARTS
	(CMP-N3G00-00-00)	CHAMPION N3G 10PK	1	

FWD

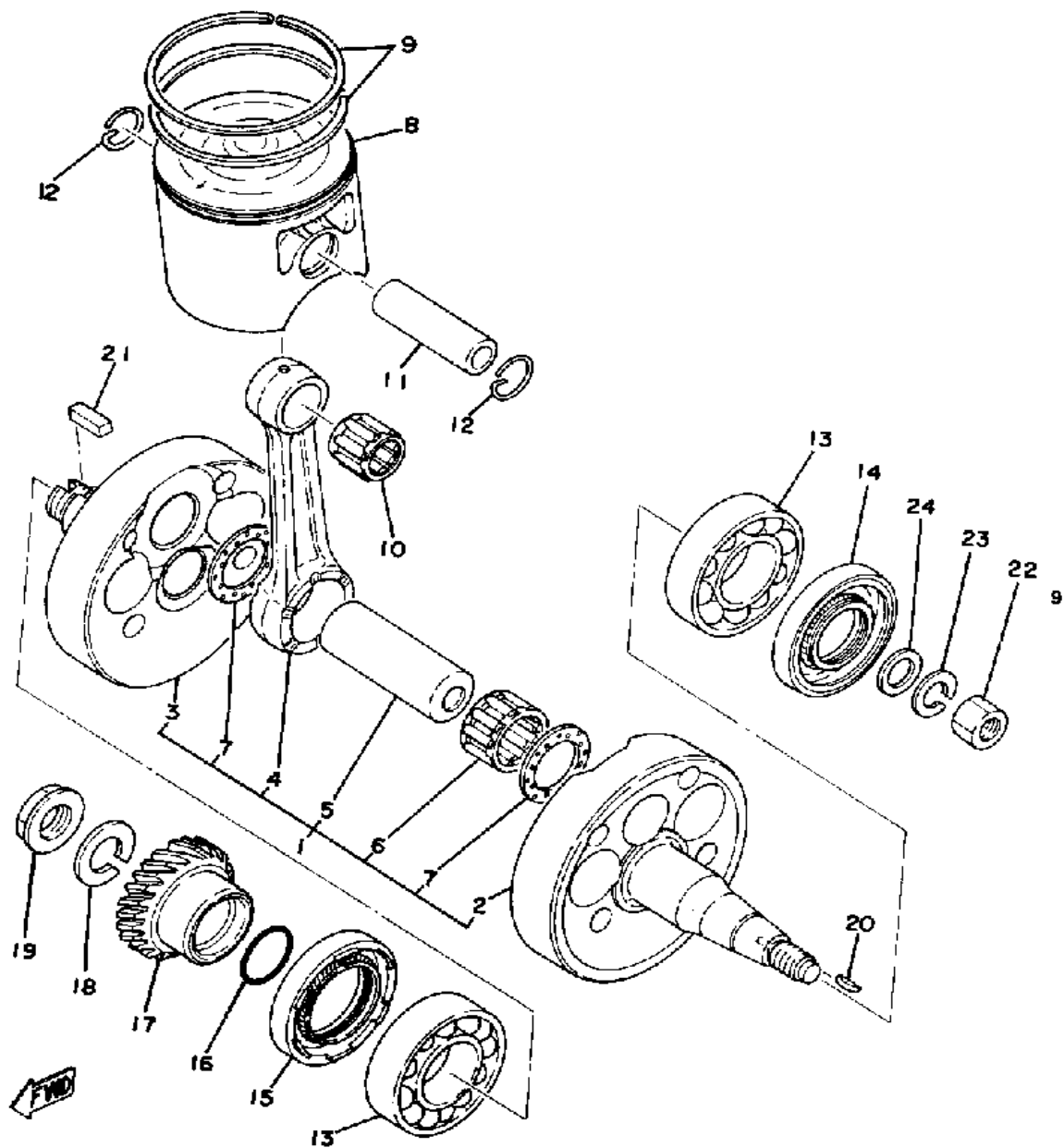
CRANK-PISTON



Ref. No.	Part Number	Description	Qty	Remarks
1	(2X5-11400-00-00)	CRANKSHAFT ASSEMBLY ...	1	
2	(2X5-11412-00-00)	CRANK 1	1	
3	(2X5-11422-00-00)	CRANK 2	1	
4	(2X5-11651-10-00)	ROD, CONNECTING	1	
5	(2X5-11681-00-00)	PIN, CRANK 1	1	
6	93310-425N4-00	. BEARING, CYLINDRICAL ...	1	
7	90209-25085-00	. WASHER, (90209-25220)	2	
8	(2X5-11630-30-00)	PISTON KIT 3RD	1	ALTERNATE PART
	(2X5-11630-40-00)	PISTON KIT 4TH	1	
	(2X5-11630-40-00)	PISTON KIT 4TH	1	ALTERNATE PART
	(2X5-11636-00-00)	PISTON 2 O/S 0. 0	1	ALTERNATE PART
	2X5-11630-10-00	PISTON KIT 1ST	1	ALTERNATE PART
	2X5-11631-00-96	PISTON STD	1	
	2X5-11635-00-00	PISTON 1 O/S 0. 5	1	ALTERNATE PART
	2X5-11637-00-00	PISTON 3 O/S 0. 5	1	ALTERNATE PART
	2X5-11638-00-00	PISTON 4 O/S 1. 0	1	ALTERNATE PART
9	2X5-11601-00-00	PISTON RINGSET STD	1	
	2X5-11601-10-00	PISTON RINGSET 1ST	1	ALTERNATE PART
	2X5-11601-20-00	PISTON RINGSET 2ND	1	ALTERNATE PART
	2X5-11601-30-00	PISTON RINGSET 3RD	1	ALTERNATE PART
	2X5-11601-40-00	PISTON RINGSET 4TH	1	ALTERNATE PART
10	93310-418E9-00	BEARING, CYLINDRICAL	1	
11	275-11633-00-00	PIN, PISTON	1	
12	93450-19052-00	CIRCLIP, INNER	2	
13	93306-30615-00	BEARING (B6306)	2	
14	93103-30150-00	OIL SEAL (38W)	1	
15	93103-40091-00	OIL SEAL	1	
16	93210-29282-00	O-RING	1	
17	(2X5-16111-00-00)	GEAR, PRI DRIVE	1	

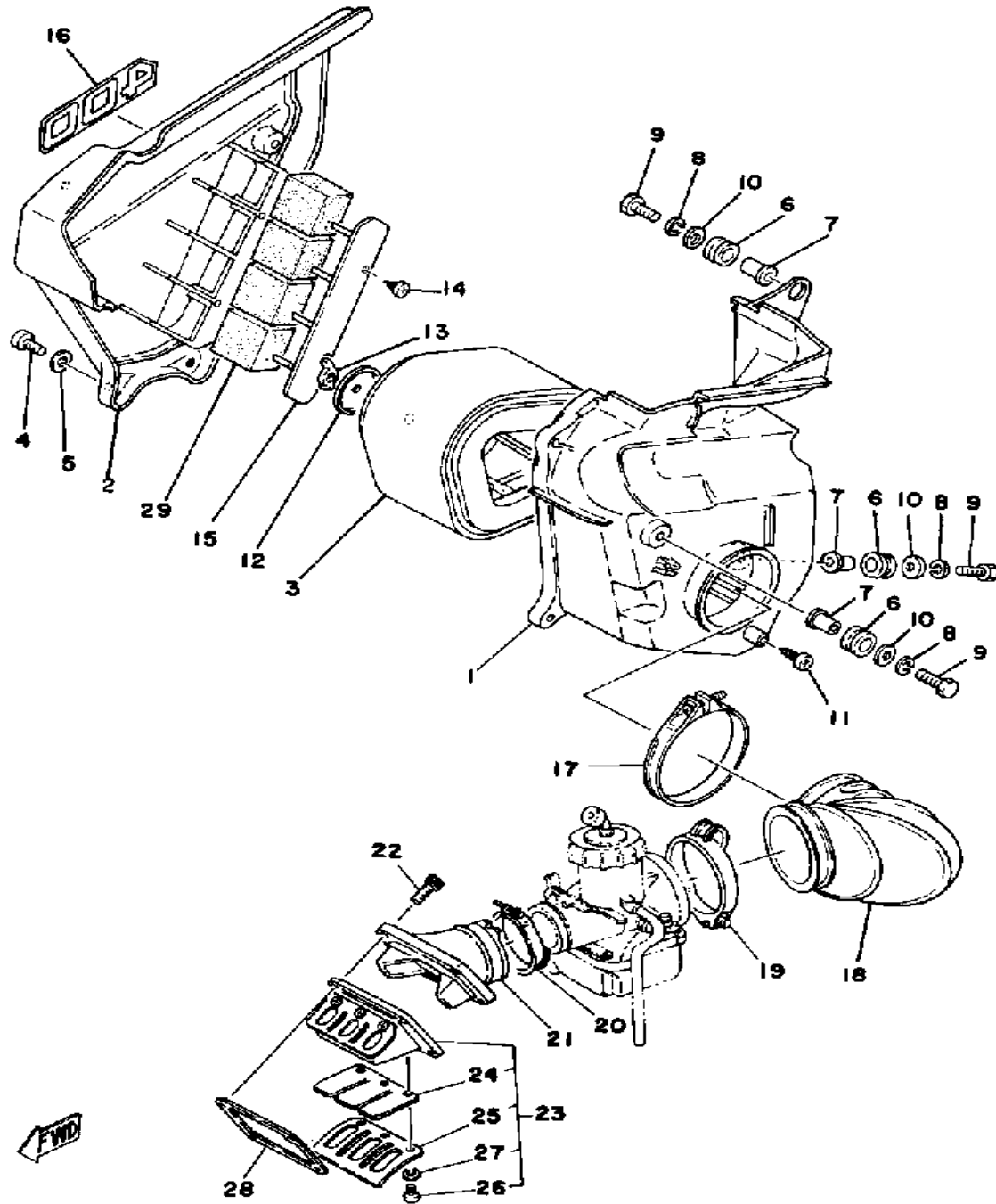
CONTINUED ON NEXT FRAME ►

CRANK-PISTON



Ref. No.	Part Number	Description	Qty	Remarks
18	92901-18100-00	WASHER, SPRING	1	
19	90179-18172-00	NUT	1	
20	90280-16053-00	KEY, WOODRUFF (90280-05048-00)	1	
21	90282-07019-00	KEY, STRAIGHT	1	
22	90170-12181-00	NUT	1	
23	92901-12100-00	WASHER, SPRING	1	
24	90201-12593-00	WASHER, PLATE	1	

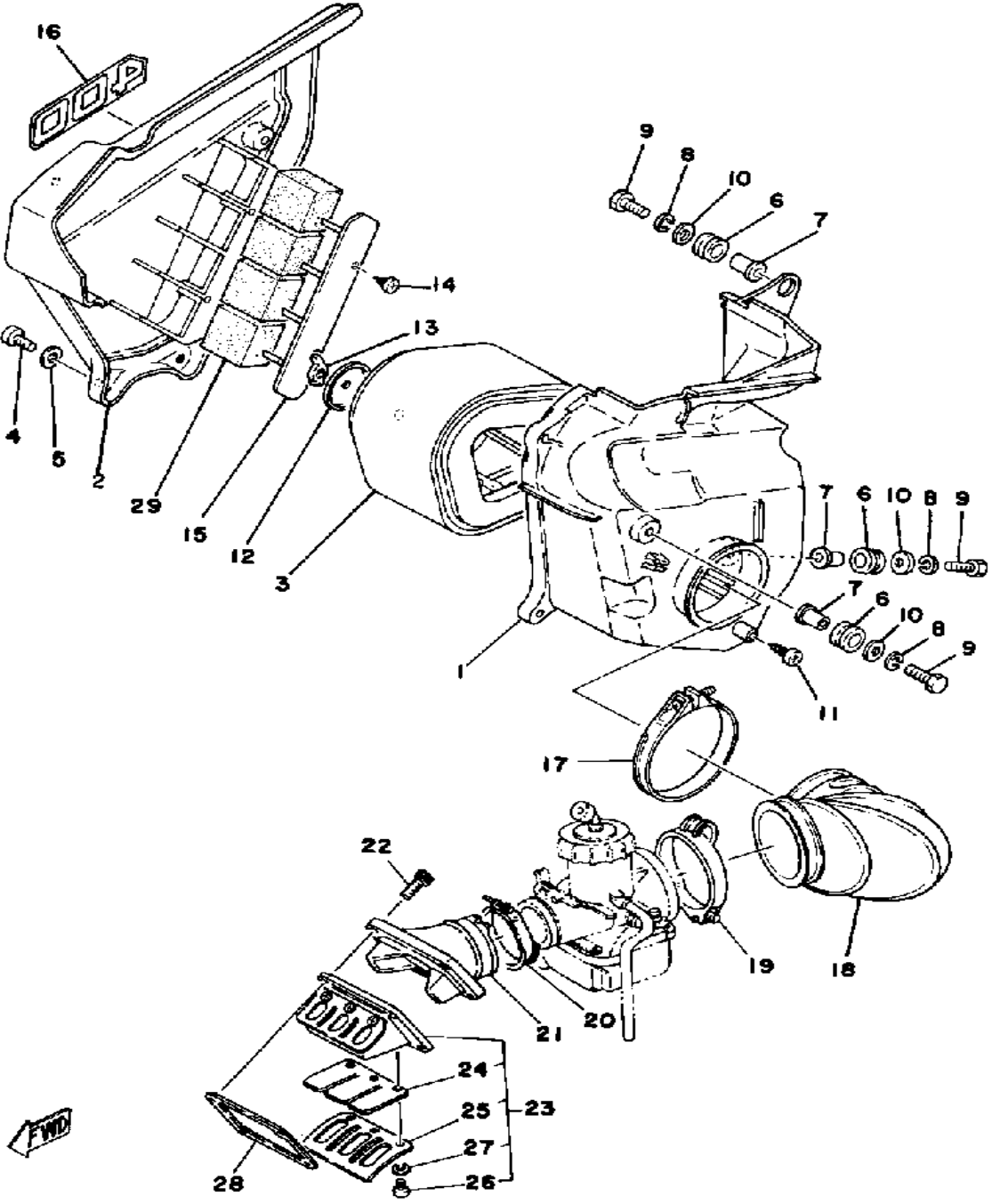
INTAKE



Ref. No.	Part Number	Description	Qty	Remarks
1	(2X4-14411-00-00)	CASE, AIR CLEANER 1	1	
2	2X4-14412-02-00	CAP, CLEANER CASE 1	1	COMP. YELLOW
3	2X4-14450-00-00	ELEMENT ASSEMBLY	1	
4	98503-06014-00	SCREW, PAN HEAD (92501-06015)	4	
5	92901-06600-00	WASHER	4	
6	90480-14023-00	GROMMET	3	
7	90387-07391-00	COLLAR	3	
8	92995-06100-00	WASHER, SPRING	3	
9	97011-06025-00	BOLT (97001-06025)	3	
10	90201-06067-00	WASHER, PLATE	3	
11	(90163-06001-00)	SCREW, TAPPING	1	
12	2X4-14468-00-00	PLATE, ELEMENT FTNG	1	
13	90175-06008-00	NUT, WING	1	
14	97780-40112-00	SCREW, TAPPING	2	
15	(2X4-14477-10-00)	PLATE	1	
16	(2X5-21737-00-00)	EMBLEM	1	
17	90460-85277-00	CLAMP, HOSE	1	
18	(2X5-14453-00-00)	JOINT, AIR CLNR 1	1	
19	90460-68231-00	CLAMP, HOSE	1	
20	90460-51109-00	CLAMP, HOSE	1	
21	2K7-13565-00-00	JOINT, CARBURETOR	1	
22	91316-06020-00	BOLT	4	
23	2X5-13610-00-00	REED VALVE ASSEMBLY	1	
24	2K7-13613-00-00	. REED, VALVE	2	
25	2X5-13616-00-00	. STOPPER, REED VALVE	2	
26	98580-03008-00	. SCREW, PAN HEAD (98501-03008-00)	6	
27	92990-03100-00	. WASHER, SPRING	6	

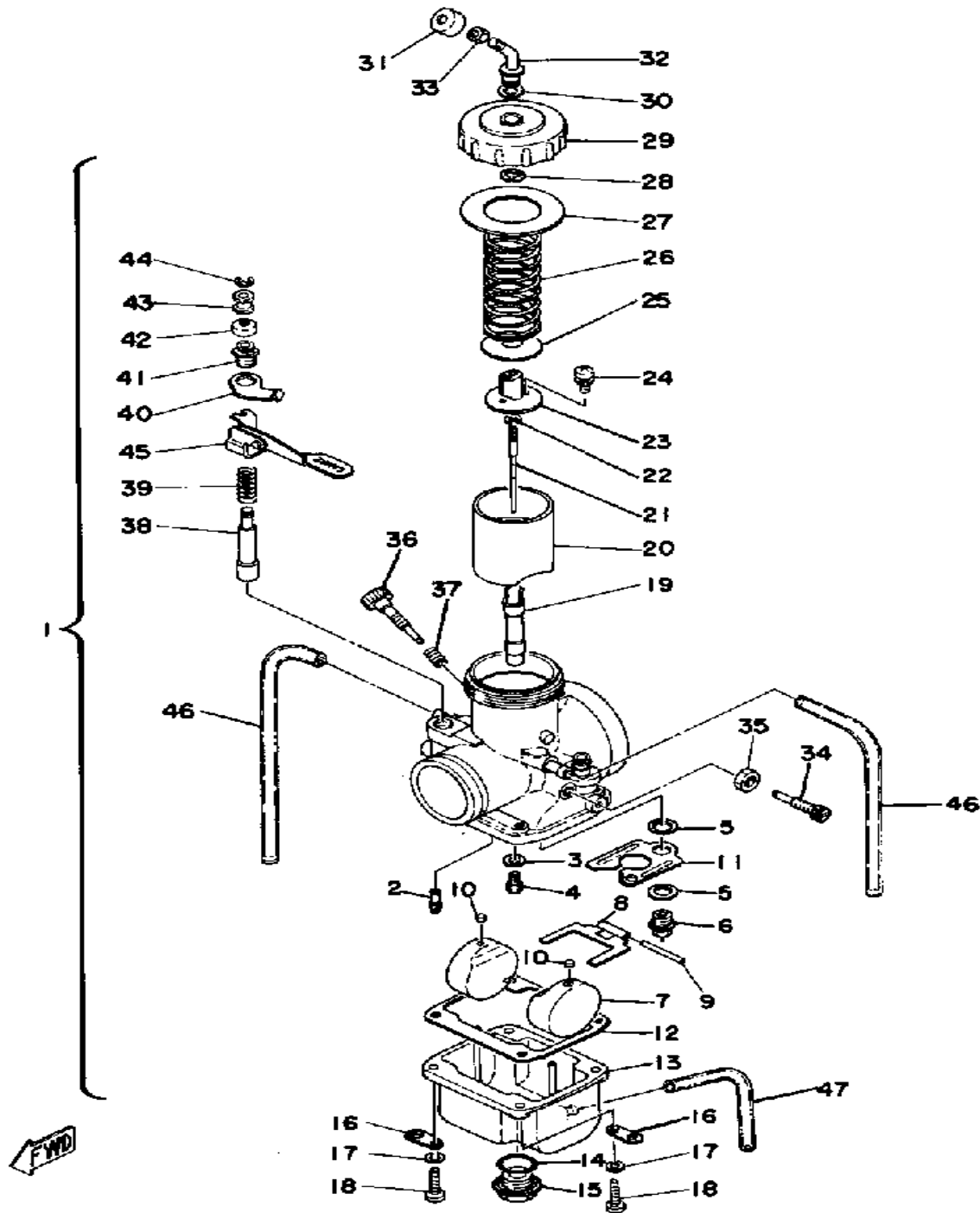
CONTINUED ON NEXT FRAME ►

INTAKE



Ref. No.	Part Number	Description	Qty	Remarks
28	80L-13621-01-00	GASKET, VALVE SEAT	1	
29	(2X4-14461-00-00)	ELEMENT, AIR CLNR 2	4	

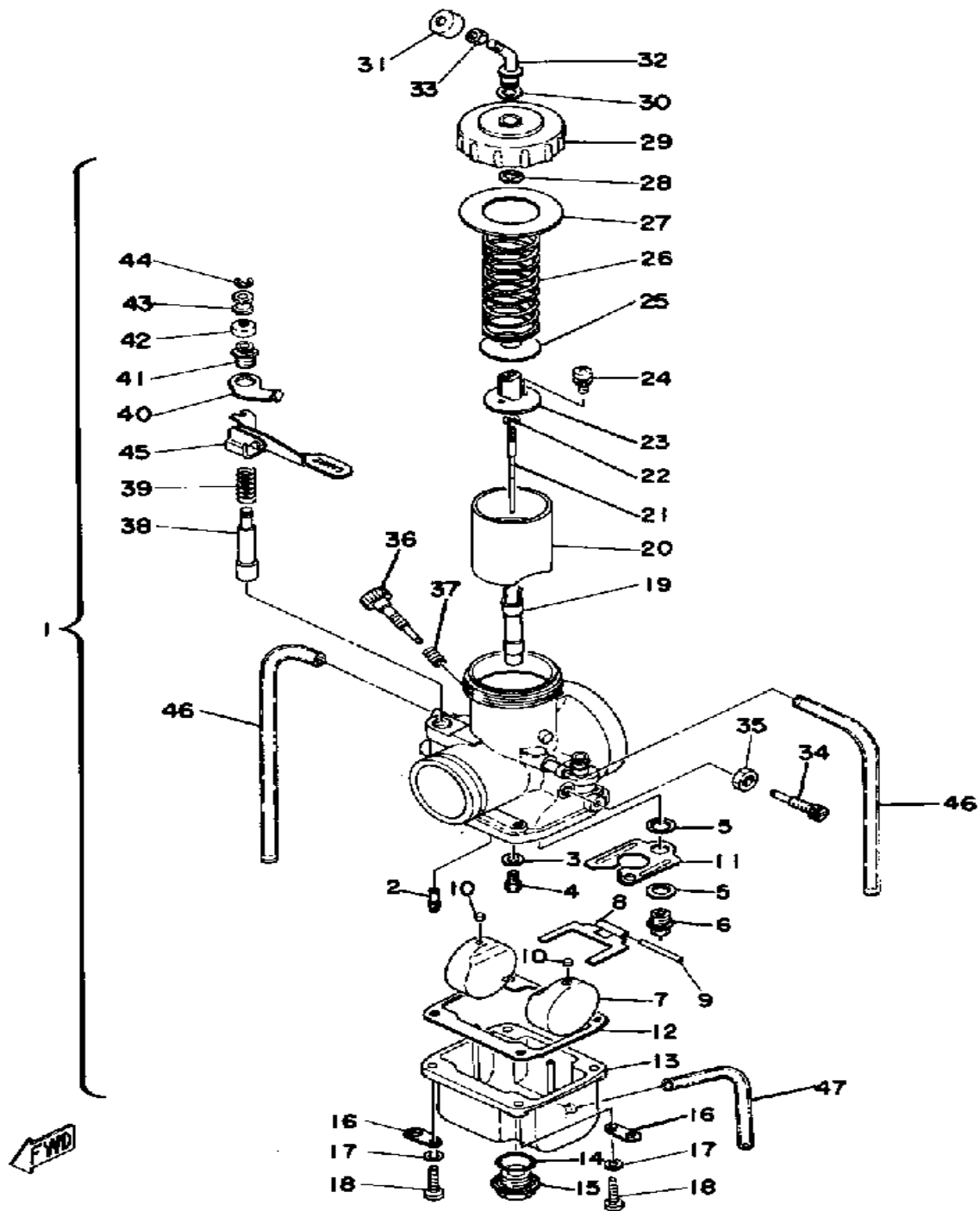
CARBURETOR



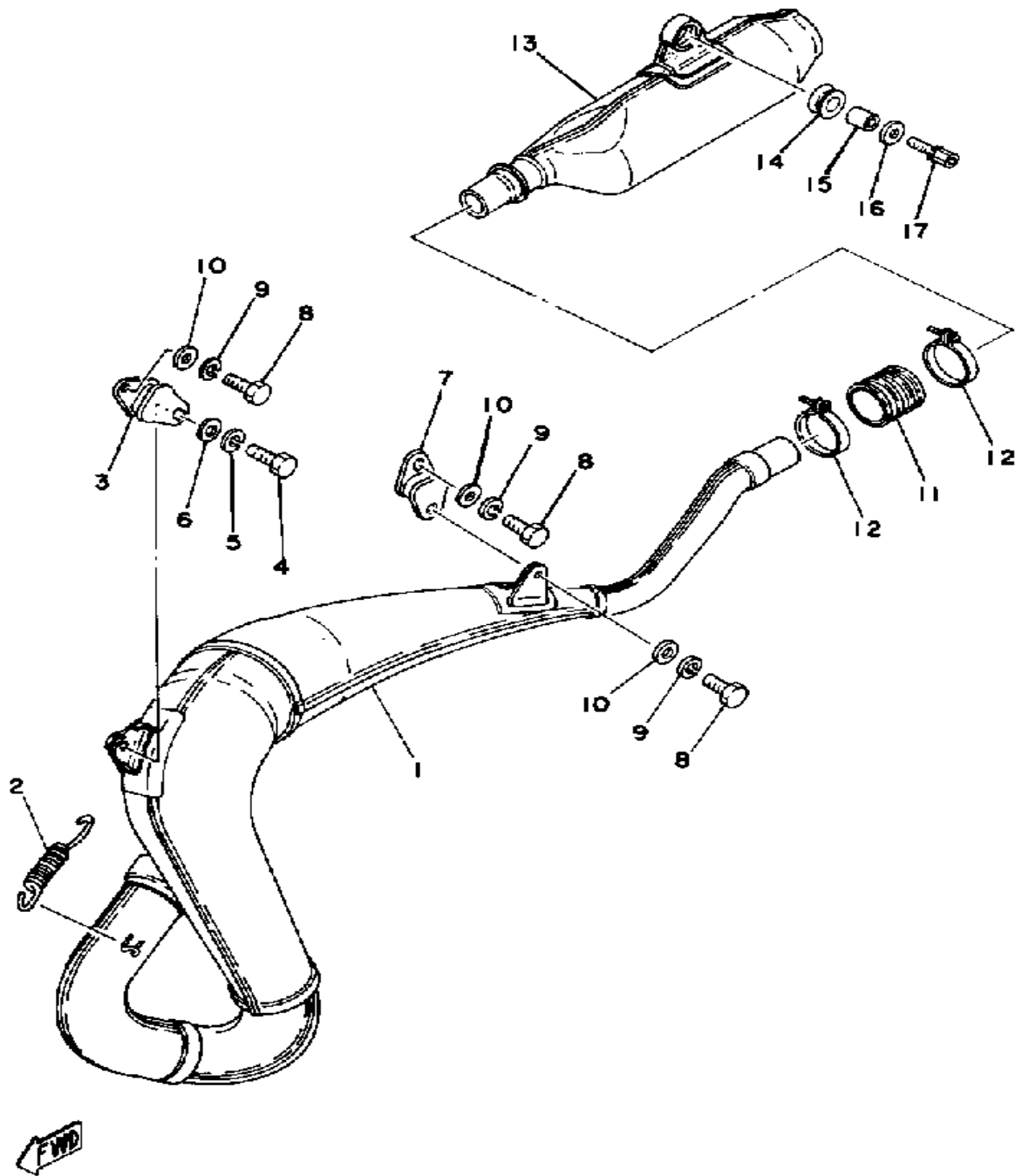
Ref. No.	Part Number	Description	Qty	Remarks
1	(2X5-14101-00-00)	CARBURETOR ASSEMBLY 1	1	
2	193-14142-85-00	. JET, PILOT # 5	1	
3	(1W5-14153-00-00)	WASHER, MAIN JET	1	
4	137-14143-82-00	. JET, MAIN (410)	1	U.R.
	137-14143-84-00	. JET, MAIN (420)	1	U.R. STD
	137-14143-86-00	. JET, MAIN (430)	1	U.R.
5	239-14195-00-00	. WASHER, NEEDLE VLV	2	
6	23X-14107-35-00	. NEEDLE VALVE SET	1	
7	214-14185-00-00	. FLOAT	2	
8	363-14187-00-00	. ARM, FLOAT	1	
9	127-14186-00-00	. PIN, FLOAT	1	
10	214-14118-00-00	. CAP	2	
11	510-14146-00-00	. PLATE	1	
12	363-14184-00-00	. GASKET, FLOAT CHMBR	1	
13	(510-14181-16-00)	BODY, FLOAT CHMBR 1	1	
14	558-14147-00-00	. O-RING	1	
15	500-14115-00-00	. PLUG, SCREW	1	
16	313-14146-00-00	. PLATE	2	
17	92990-05100-00	. WASHER, SPRING	4	
18	98580-05016-00	. SCREW, PAN HEAD	4	
19	510-14141-54-00	. NOZZLE, MAIN	1	
20	(510-14112-40-00)	VALVE, THROTTLE 1	1	
21	239-14116-08-00	. NEEDLE	1	
22	164-14137-00-00	. CLIP	1	
23	509-14274-00-00	. CONNECTOR	1	
24	98580-03008-00	. SCREW, PAN HEAD (98501-03008-00)	2	
25	509-14136-00-00	. SEAT, SPRING	1	
26	363-14131-00-00	. SPRING, THROTTLE VALVE	1	

CONTINUED ON NEXT FRAME ►

CARBURETOR



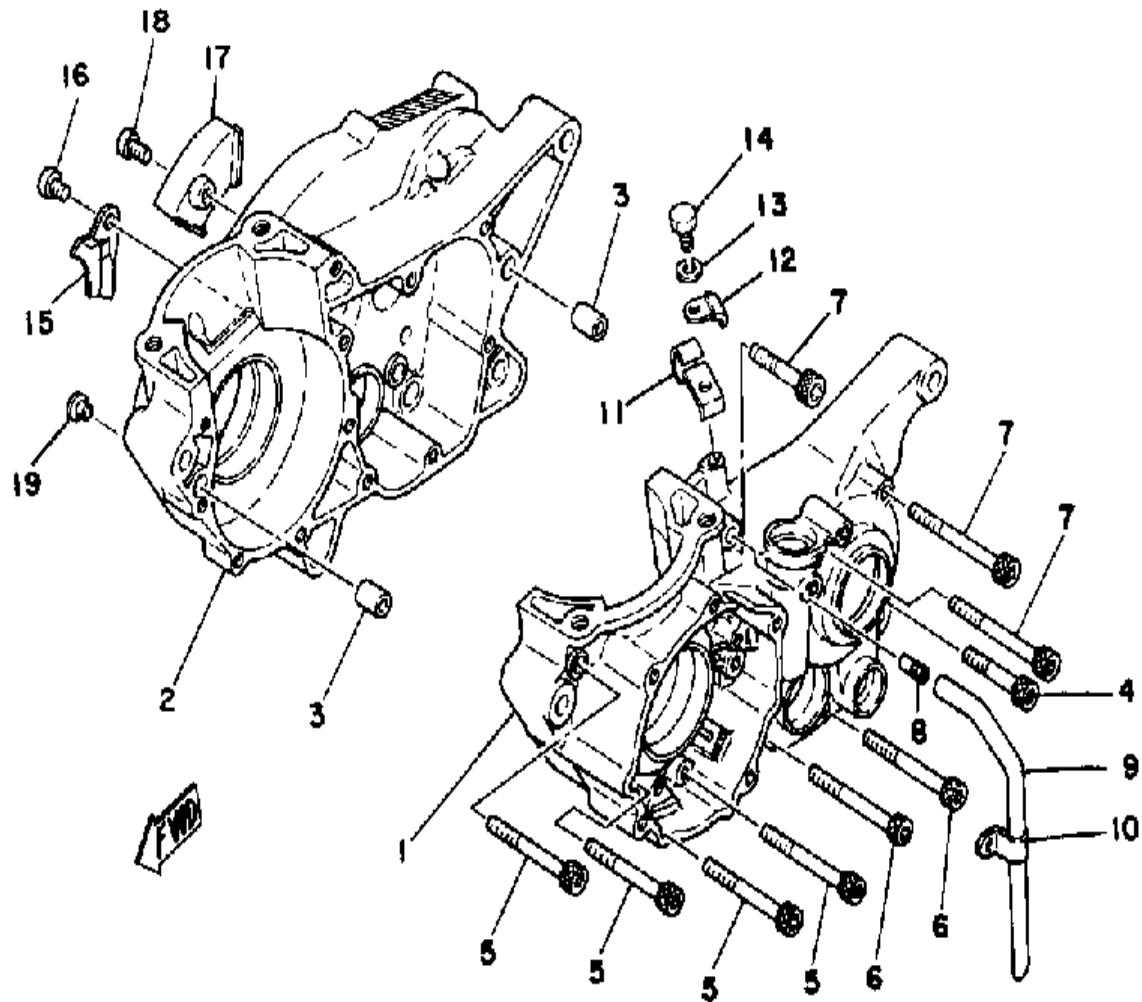
Ref. No.	Part Number	Description	Qty	Remarks
27	363-14126-00-00	. GASKET	1	
28	363-14137-00-00	. CLIP	1	
29	1W3-14158-00-00	. TOP, MIXING CHAMBER	1	
30	509-14198-00-00	. GASKET	1	
31	1M1-14169-00-00	. CAP	1	
32	23X-14106-00-00	. CBLE AJST SCRW SET	1	
33	127-14161-00-00	. NUT, CABLE ADJUSTING	1	
34	23X-14103-00-00	. THROTTLE SCREW SET	1	
35	802-14161-00-00	. NUT, CABLE ADJUSTING	1	
36	26A-14104-00-00	. AIR SCREW SET (1W3-14123-00)	1	
37	137-14133-00-00	. SPRING, THROTTLE STOP ..	1	
38	1W1-14171-00-00	. PLUNGER, STARTER	1	
39	256-14135-00-00	. SPRING, PLUNGER	1	
40	(1W3-14178-00-00)	PLATE, STARTER LVR	1	
41	802-14174-00-00	. CAP, PLUNGER	1	
42	802-14173-00-00	. COVER, PLUNGER CAP	1	
43	737-14241-00-00	. BUSH	1	
44	737-14137-00-00	. CLIP	1	
45	1W3-14175-00-00	. COVER, PLUNGER CAP (1W3-14173-00-00)	1	
46	310-14197-00-00	. PIPE	2	
47	510-14197-00-00	. PIPE (43214-19700-00)	1	



EXHAUST

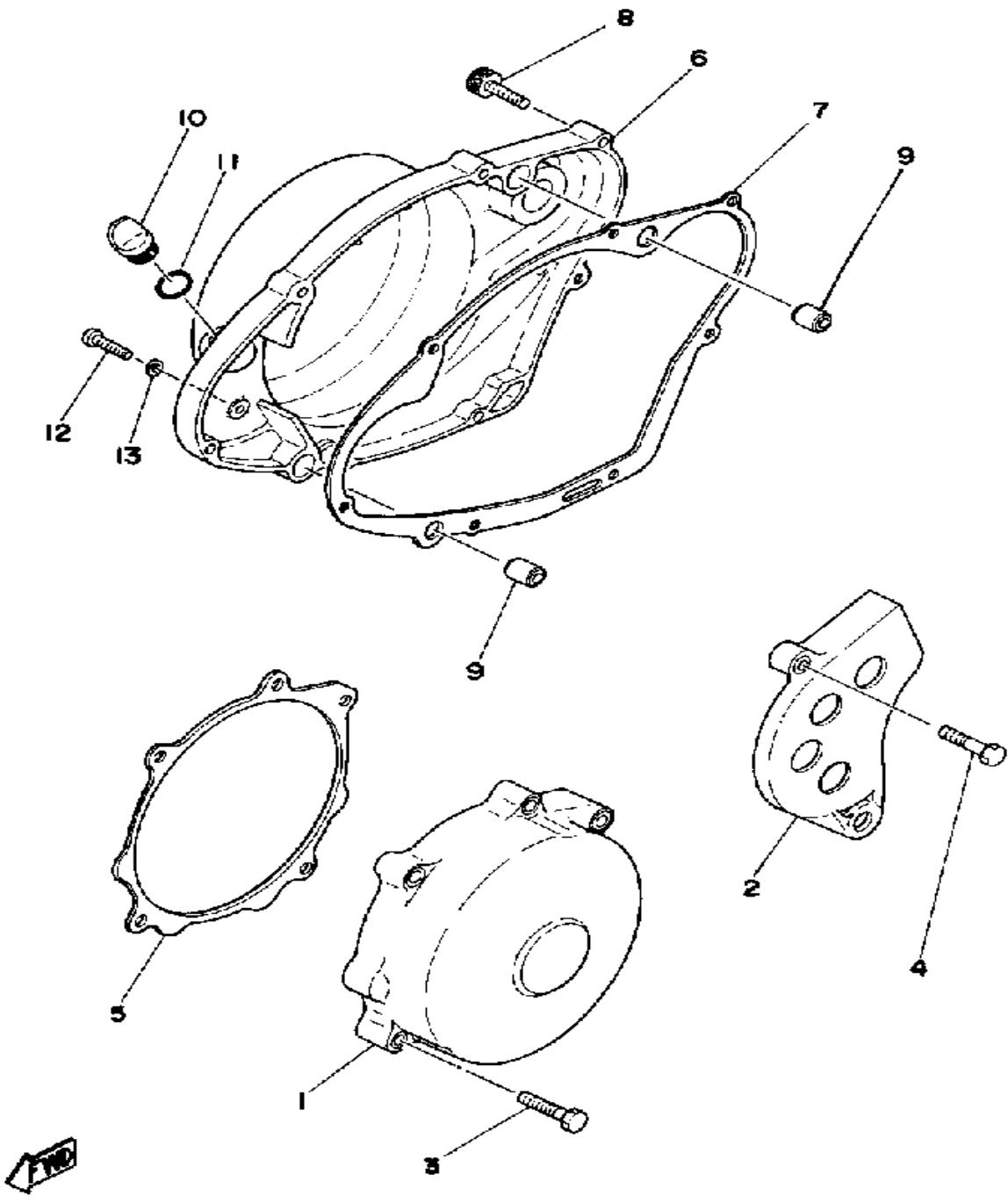
Ref. No.	Part Number	Description	Qty	Remarks
1	(2X5-14610-01-00)	EXHAUST PIPE ASSEMBLY L .	1	
2	90507-20030-00	SPRING, TENSION	2	
3	483-14781-02-00	STAY, MUFFLER 2	1	
4	97313-08020-00	BOLT, HEXAGON	1	
5	92990-08100-00	WASHER, SPRING	1	
6	92901-08600-00	WASHER, PLATE	1	
7	565-14771-00-00	STAY, MUFFLER 1	1	
8	97313-06016-00	BOLT	3	
9	92995-06100-00	WASHER, SPRING	3	
10	92901-06600-00	WASHER	3	
11	1M1-14714-00-00	GASKET, MUFFLER	1	
12	90460-43053-00	CLAMP, HOSE	2	
13	2X5-14753-00-00	SILENCER, EXHAUST	1	
14	565-14747-00-00	DAMPER, MUFFLER	1	
15	90387-08258-00	COLLAR	1	
16	90201-08753-00	WASHER, PLATE	1	
17	90109-08512-00	BOLT	1	

CRANKCASE



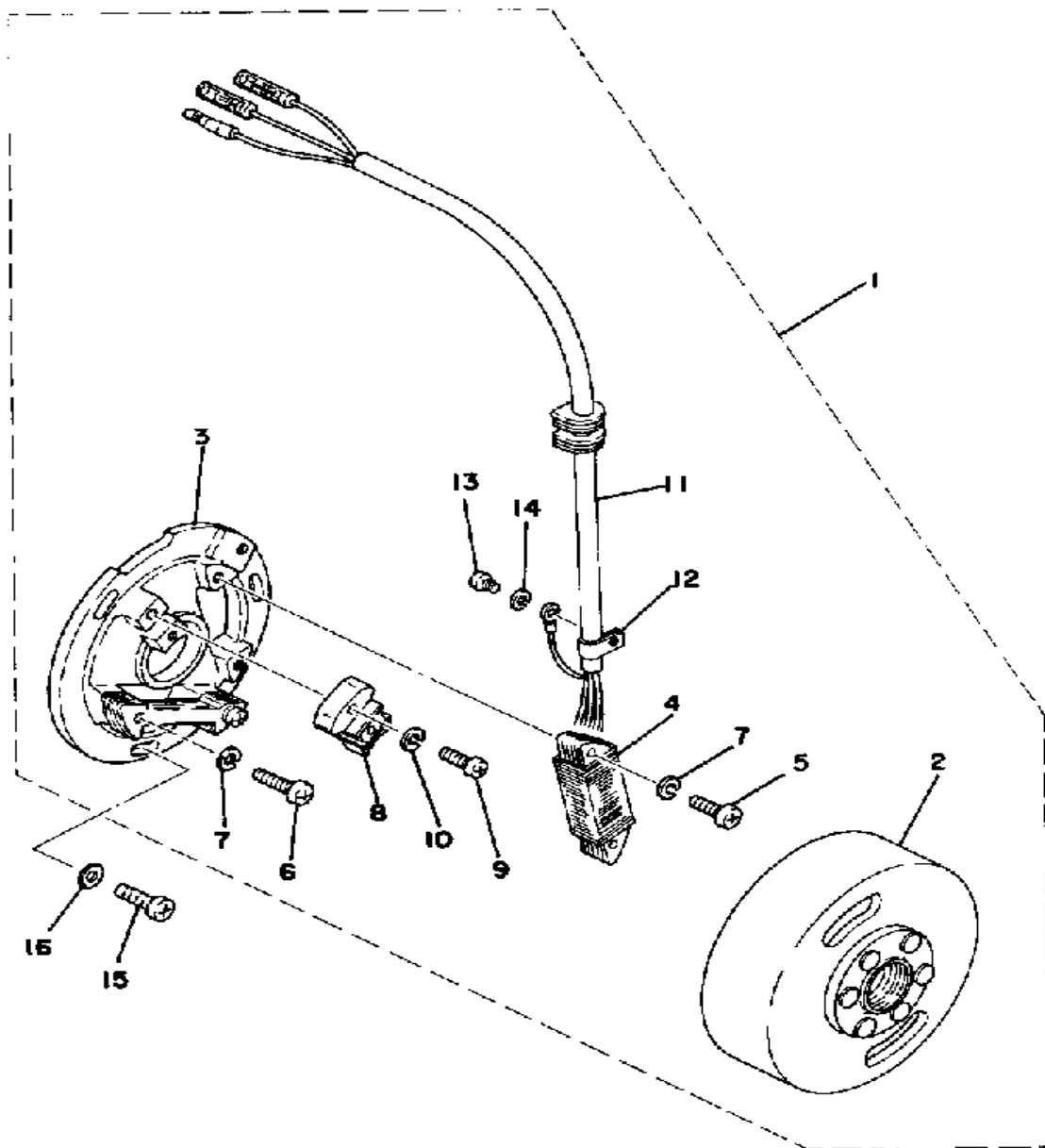
Ref. No.	Part Number	Description	Qty	Remarks
1	2X5-15111-00-00	CRANKCASE 1	1	
2	(2X5-15121-00-00)	CRANKCASE 2	1	
3	99510-12016-00	PIN, DOWEL	2	
4	91316-06045-00	BOLT	1	
5	91316-06065-00	BOLT, SOCKET HEAD	6	
6	91316-06070-00	BOLT, SOCKET HEAD	2	
7	91316-06075-00	BOLT	3	
8	137-13115-00-00	CONNECTOR, SCTN PPE	1	
9	90445-08376-00	HOSE	1	
10	(90462-08043-00)	CLAMP	1	
11	(2K7-15441-02-00)	HOLDER, CLCH CABLE	1	
12	90462-08042-00	CLAMP	1	
13	92995-06100-00	WASHER, SPRING	1	
14	97301-06014-00	BOLT, HEXAGON	1	
15	(2X5-15118-00-00)	HOLDER	1	
16	92501-08010-00	SCREW, PAN HEAD	1	
17	(2K7-15113-00-00)	PLATE	1	
18	98580-06010-00	SCREW, PAN HEAD	1	
19	90338-07011-00	PLUG, SPEC'L SHAPE	1	

CRANKCASE COVER



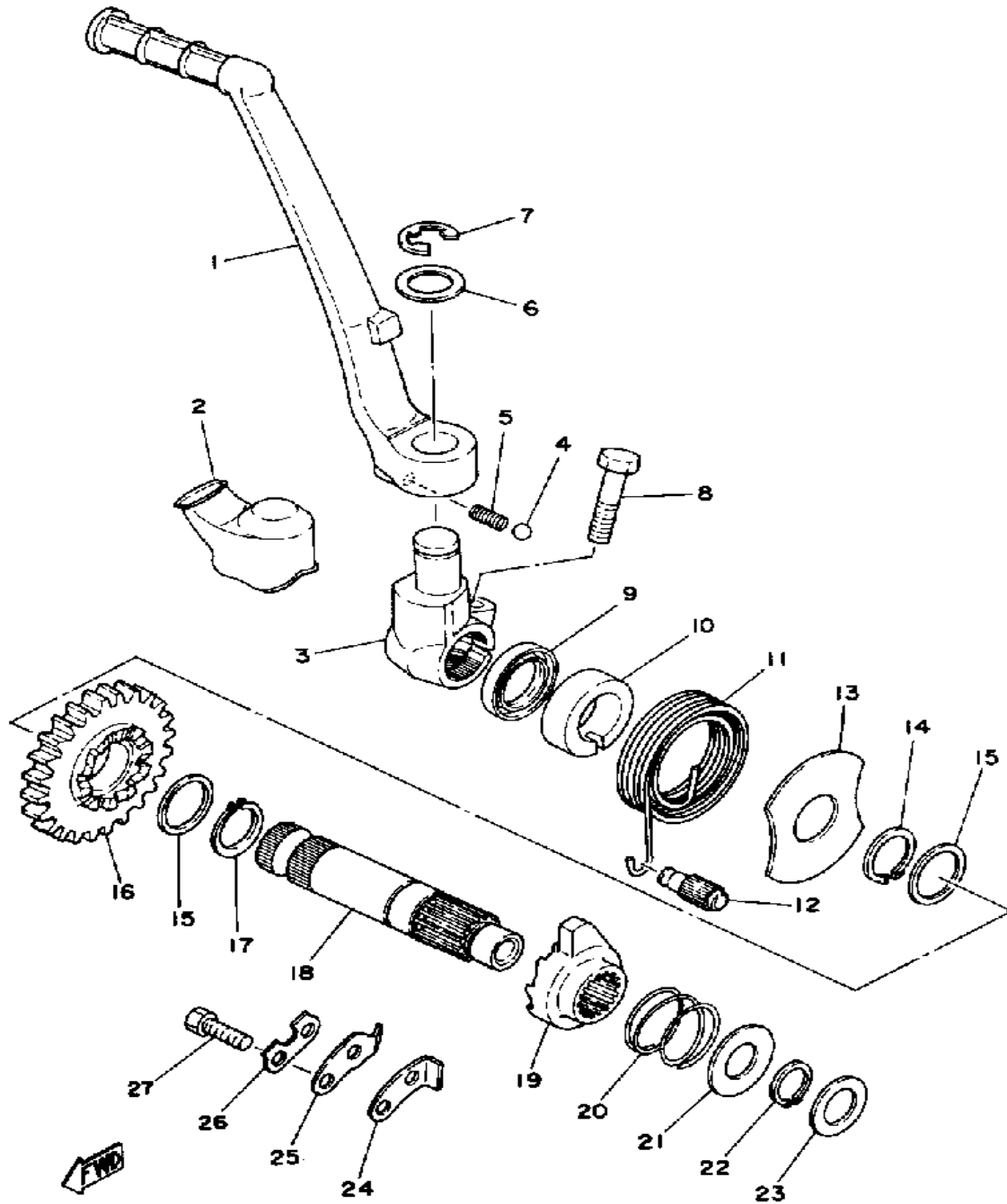
Ref. No.	Part Number	Description	Qty	Remarks
1	2X7-15411-00-00	COVER, CRANKCASE L	1	
2	2K7-15421-00-00	COVER, CRANKCASE R	1	
3	90110-06138-00	BOLT, HEX SOCKET HEAD	5	
4	91316-06025-00	BOLT	1	
5	2X7-15451-00-00	GASKET, CRCS COVER	1	
6	2K7-15431-01-00	COVER, CRANKCASE 3	1	
7	2K7-15462-00-00	GASKET, CRCS CVR 3	1	
8	91316-06025-00	BOLT	7	
9	99510-12016-00	PIN, DOWEL	2	
10	1G8-15362-00-00	PLUG, OIL LEVEL	1	
11	93210-14104-00	O-RING	1	
12	98506-06008-00	SCREW, PAN HEAD	1	
13	90430-06016-00	GASKET	1	

C - D - I - MAGNETO

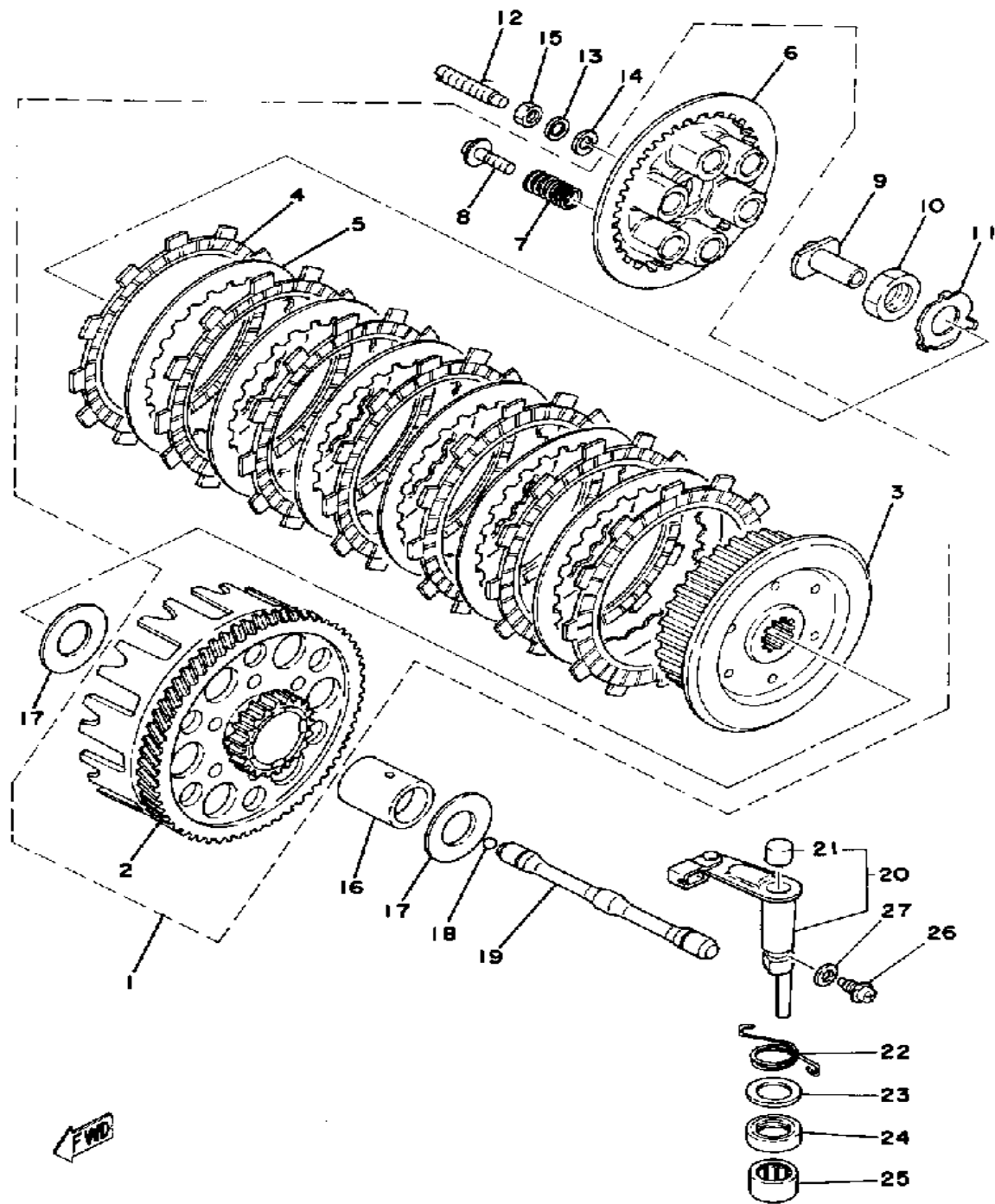


Ref. No.	Part Number	Description	Qty	Remarks
1	(2X5-85500-20-00)	CDI MAGNETO ASSEMBLY . . .	1	
2	2X7-85550-20-00	. ROTOR ASSEMBLY	1	
3	1M2-85509-20-00	. BASE, MAGNETO	1	
4	(2X7-85512-20-00)	COIL SOURCE 2	1	
5	98501-05018-00	. SCREW, PAN HEAD	2	
6	98503-05025-00	. SCREW, PAN HEAD	2	
7	92990-05100-00	. WASHER, SPRING	4	
8	2X9-85580-20-00	. COIL, PULSER	1	
9	98506-04018-00	. SCREW, PAN HEAD	2	
10	92901-04100-00	. WASHER, SPRING	2	
11	(2X5-85515-20-00)	LEAD WIRE ASSEMBLY	1	
12	104-81328-20-00	. CLAMP	1	
13	98511-04006-00	. SCREW, PAN HEAD	1	
14	92901-04100-00	. WASHER, SPRING	1	
15	98580-06020-00	SCREW, PAN HEAD	3	
16	92901-06600-00	WASHER	3	

STARTER



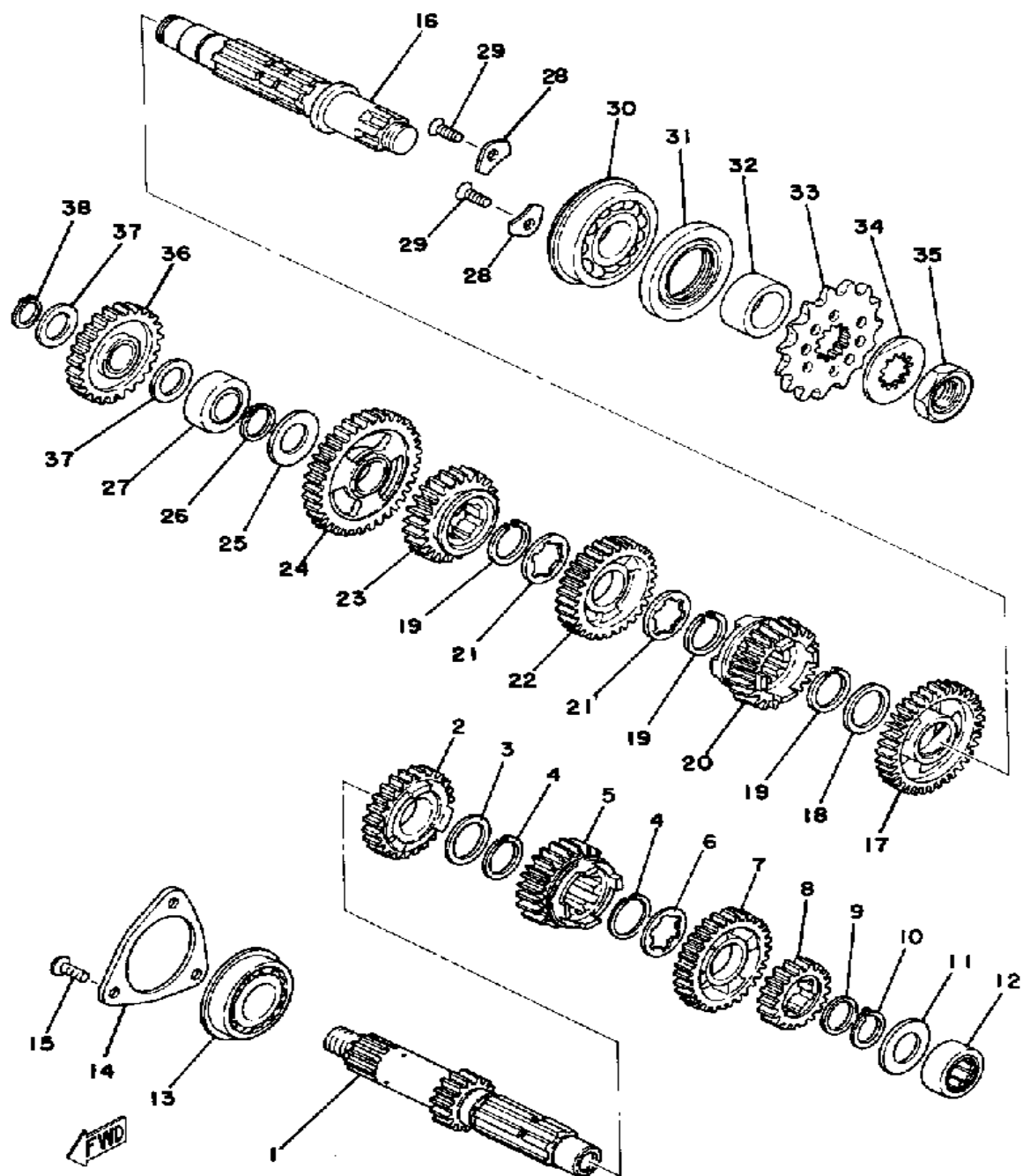
Ref. No.	Part Number	Description	Qty	Remarks
1	2K7-15611-00-00	CRANK, KICK (2K7-15611-00-33)	1	YAMAHA BLACK
2	2K7-15618-00-00	COVER, KICK LEVER	1	
3	2K7-15621-00-00	BOSS, KICK CRANK	1	
4	93507-32031-00	BALL 7/ 2	1	
5	90501-12081-00	SPRING, COMPRESSION	1	
6	90201-15234-00	WASHER, PLATE	1	
7	99006-10600-00	CIRCLIP	1	
8	97313-08030-00	BOLT, HEXAGON	1	
9	93102-20309-00	OIL SEAL	1	
10	3Y6-15664-00-00	GUIDE, SPRING	1	
11	90508-32061-00	SPRING, TORSION (291-15665-00)	1	
12	248-15668-00-00	STOPPER	1	
13	2K7-15676-00-00	COVER, SPRING	1	
14	99009-20400-00	CIRCLIP	1	
15	90201-20685-00	WASHER, PLATE (0.5T)	2	
16	(2K7-15641-01-00)	GEAR, KICK	1	
17	93410-20038-00	CIRCLIP	1	
18	(2K7-15661-01-00)	AXLE, KICK	1	
19	2K7-15671-01-00	WHEEL, RATCHET	1	
20	90501-16107-00	SPRING, COMPRESSION	1	
21	90201-155K6-00	WASHER, PLATE	1	
22	99009-15400-00	CIRCLIP	1	
23	132-15644-00-00	SHIM	1	
24	2NX-15668-00-00	STOPPER	1	
25	2NX-15674-00-00	GUIDE, RATCHET WHEEL	1	
26	214-15686-00-00	WASHER, LOCK	1	
27	97313-06016-00	BOLT	2	



CLUTCH

Ref. No.	Part Number	Description	Qty	Remarks
1	(2X5-16300-00-00)	CLUTCH ASSEMBLY	1	
2	2K7-16150-00-00	. PRI DRVN GEAR	1	
3	2X5-16371-00-00	. BOSS, CLUTCH	1	
4	4H7-16321-01-00	. PLATE, FRICTION	7	
5	360-16325-00-00	. PLATE, CLUTCH 2	6	
6	1M1-16351-00-00	. PLATE, PRESSURE 1	1	
7	90501-24408-00	. SPRING, COMPRESSION	6	
8	90159-06016-00	. SCREW, WITH WASHER	6	
9	1M1-16356-00-00	ROD, PUSH 1	1	
10	90170-20195-00	NUT, HEXAGON	1	
11	90215-20125-00	WASHER, LOCK	1	
12	90149-08105-00	SCREW, SPEC'L SHAPE	1	
13	90201-087H6-00	WASHER, PLATE	1	
14	92990-08100-00	WASHER, SPRING	1	
15	95311-08700-00	NUT	1	
16	2K7-16181-00-00	SPACER 1	1	
17	2K7-16154-00-00	PLATE, THRUST 1	2	
18	93515-32029-00	BALL	1	
19	1W4-16357-00-00	ROD, PUSH 2	1	
20	2X4-16380-00-00	PUSH LEVER ASSEMBLY	1	
21	214-17481-00-00	. PLUG, BLIND	1	
22	90508-14373-00	SPRING, TORSION	1	
23	90201-17327-00	WASHER, PLATE	1	
24	93102-17004-00	OIL SEAL, SD-TYPE	1	
25	93315-21721-00	BEARING, CYLINDRICAL	1	
26	90149-08108-00	SCREW, SPEC'L SHAPE	1	
27	90430-08069-00	GASKET	1	

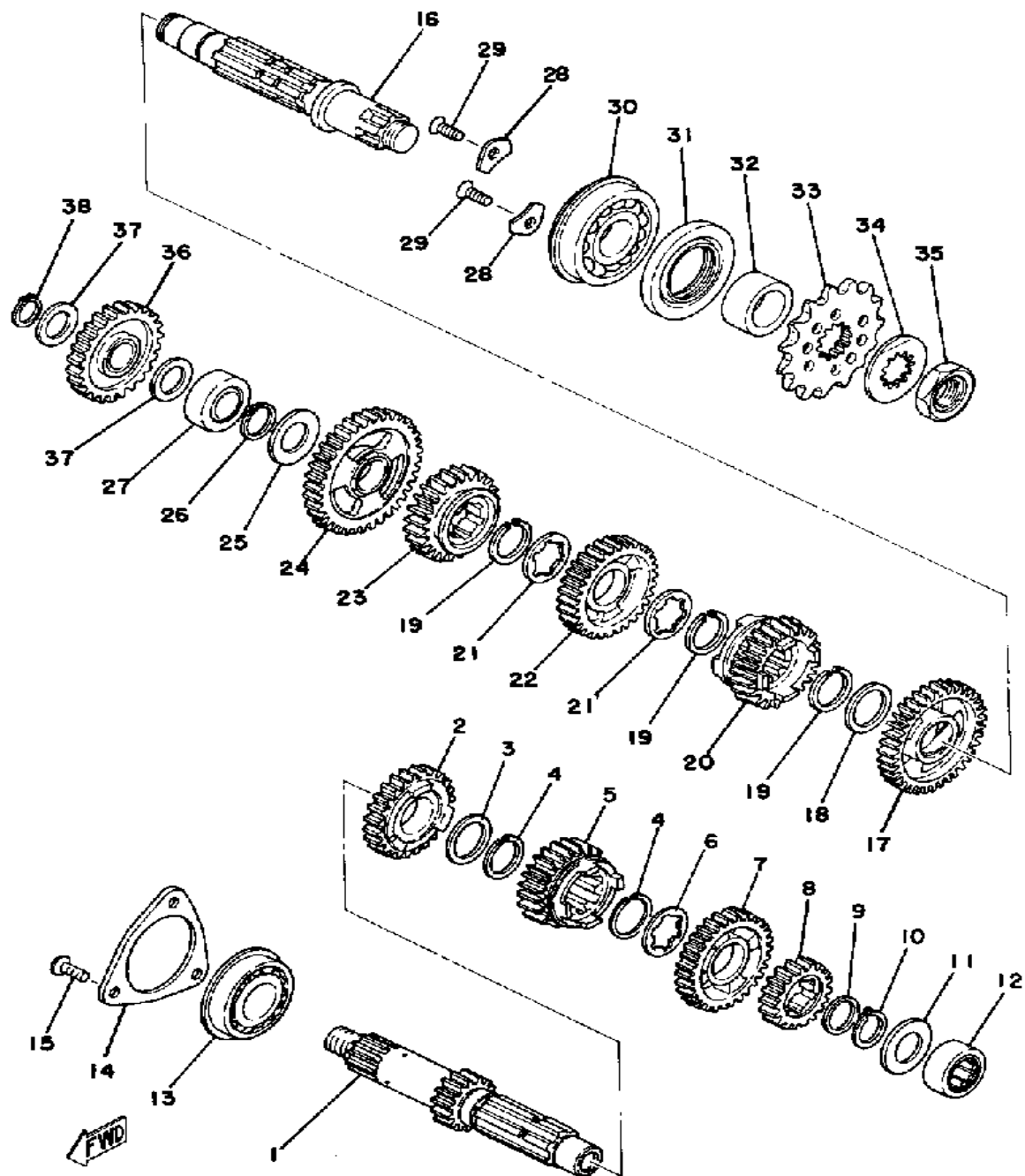
TRANSMISSION



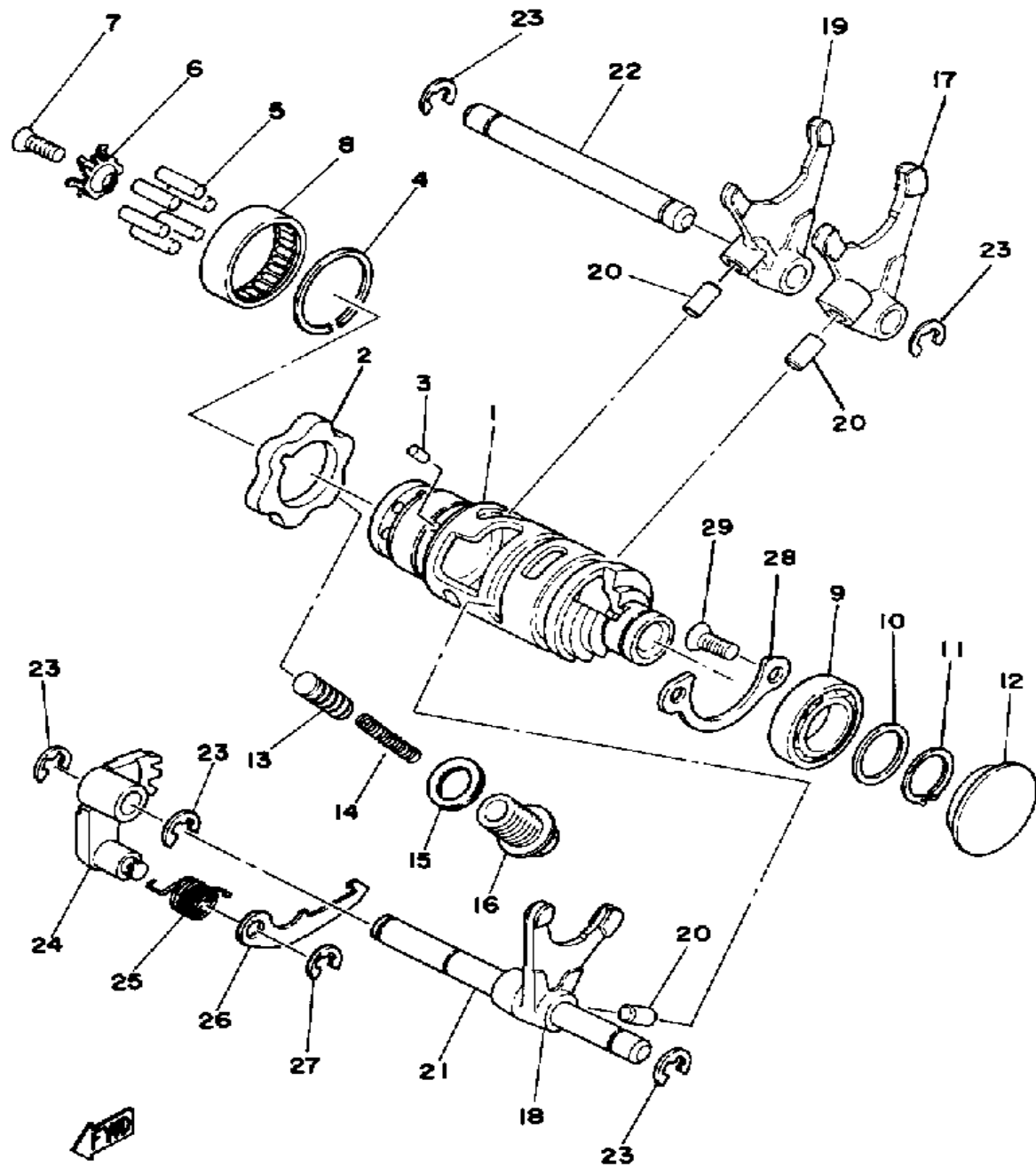
Ref. No.	Part Number	Description	Qty	Remarks
1	(2X5-17411-00-00)	AXLE, MAIN	1	
2	(2X5-17141-00-00)	GEAR, 4TH PINION	1	
3	90201-253K0-00	WASHER, PLATE (T=1.0)	1	
4	93440-25084-00	CIRCLIP	2	
5	2X5-17131-10-00	UNAVAILABLE IN PRICE BOOK	1	
6	90209-22082-00	WASHER (0.5T)	1	
7	(2X5-17151-00-00)	GEAR, 5TH PINION	1	
8	(2X5-17121-00-00)	GEAR, 2ND PINION	1	
9	90201-20613-00	WASHER, PLATE	1	
10	93410-20038-00	CIRCLIP	1	
11	90201-20278-00	WASHER, PLATE	1	
12	93311-62035-00	BEARING, CYLINDRICAL	1	
13	93306-20535-00	BEARING (93306-20515)	1	
14	1W4-15383-00-00	PLATE, BRNG COVER	1	
15	98603-06012-00	SCREW, OVAL HEAD (92701-06012)	3	
16	2X5-17421-00-00	AXLE, DRIVE	1	
17	2X5-17221-00-00	GEAR, 2ND WHEEL	1	
18	90201-253K0-00	WASHER, PLATE (T=1.0)	1	
19	93440-25084-00	CIRCLIP	3	
20	2X5-17251-01-00	GEAR, 5TH WHEEL	1	
21	90209-22082-00	WASHER (0.5T)	2	
22	2X5-17231-00-00	GEAR, 3RD WHEEL	1	
23	2X5-17241-01-00	GEAR, 4TH WHEEL	1	
24	(2X5-17211-00-00)	GEAR, 1ST WHEEL	1	
25	90201-20278-00	WASHER, PLATE	1	
26	93410-20038-00	CIRCLIP	1	
27	93311-62035-00	BEARING, CYLINDRICAL	1	
28	2K7-15383-00-00	PLATE, BEARING COVER	2	

CONTINUED ON NEXT FRAME ►

TRANSMISSION



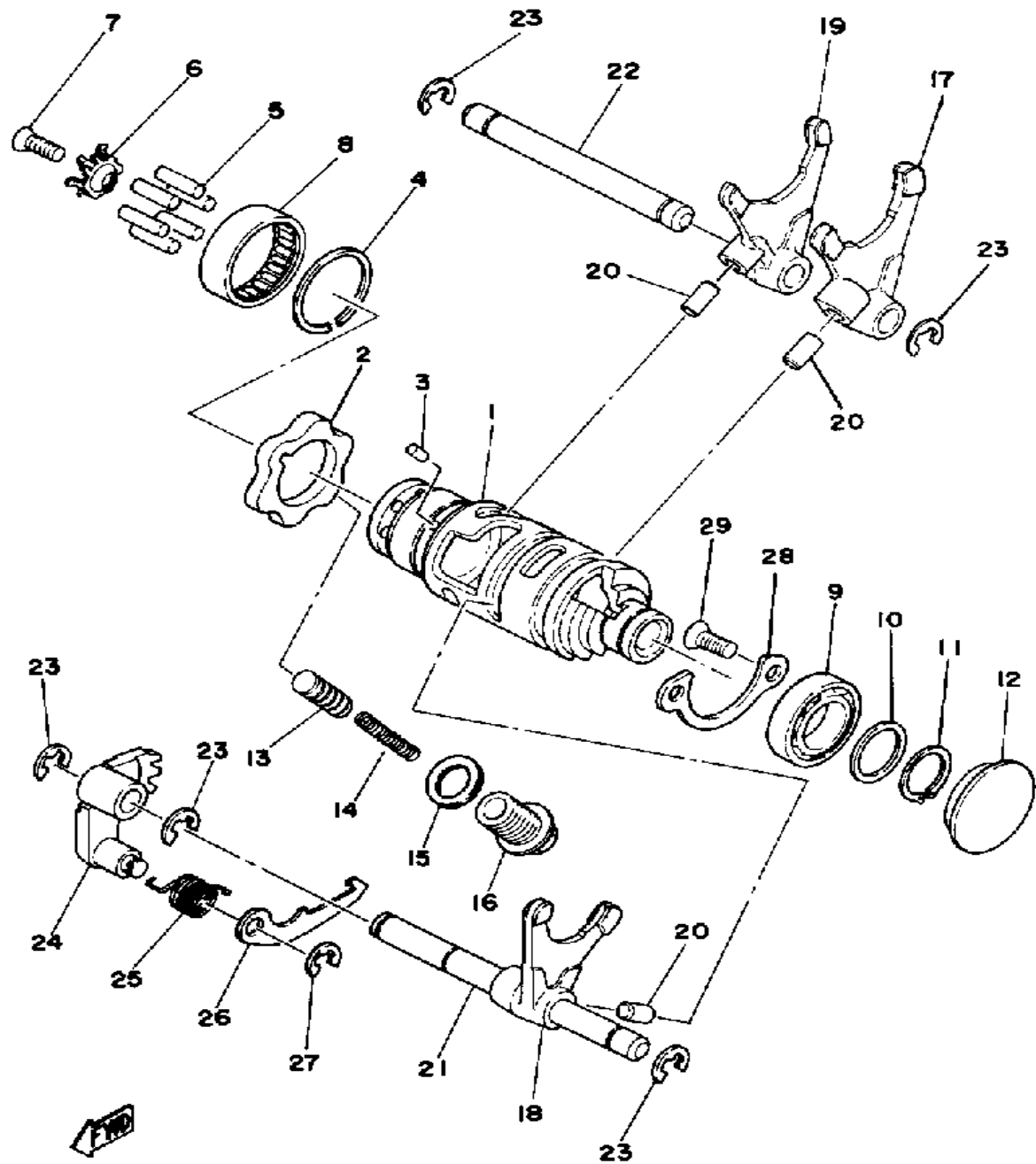
Ref. No.	Part Number	Description	Qty	Remarks
29	98603-06012-00	SCREW, OVAL HEAD (92701-06012)	2	
30	93304-20501-00	BEARING	1	
31	93102-32M07-00	OIL SEAL	1	
32	90387-25663-00	COLLAR	1	
33	93834-13030-00	SPROCKET, DRIVE 13T	1	U.R.
	93834-14051-00	SPROCKET, DRIVE	1	U. R. STD
	93834-15078-00	SPROCKET, DRIVE	1	U.R.
34	90215-21239-00	WASHER, LOCK	1	
35	90179-20255-00	NUT	1	
36	3R4-15651-00-00	GEAR, KICK IDLE	1	
37	90201-17545-00	WASHER, PLATE	2	
38	99009-17400-00	CIRCLIP	1	



SHIFT CAM-FORK

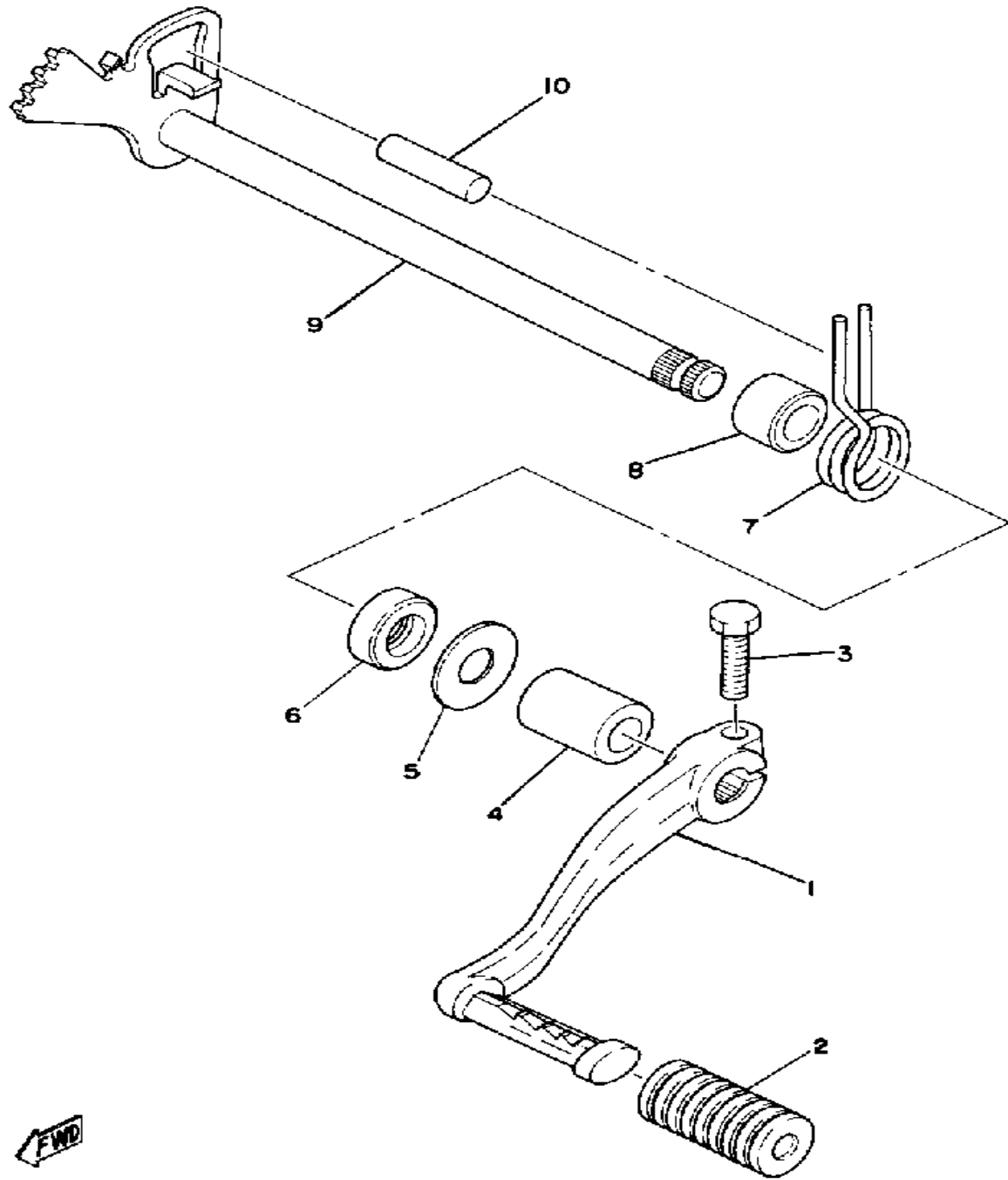
Ref. No.	Part Number	Description	Qty	Remarks
1	(2X5-18540-00-00)	SHIFT CAM ASSEMBLY	1	
2	2K7-18141-00-00	PLATE, STOPPER	1	
3	93604-08071-00	PIN, DOWEL	1	
4	93440-32017-00	CIRCLIP, OUTER (32V SPECIAL)	1	
5	93604-18100-00	PIN, DOWEL	6	
6	2K9-18561-00-00	PLATE, SIDE 1	1	
7	98701-05012-00	SCREW, FLAT HEAD	1	
8	93315-23208-00	BEARING, CYLINDER.# 5	1	
9	93306-90403-00	BEARING	1	
10	90201-20613-00	WASHER, PLATE	1	
11	99009-19400-00	CIRCLIP	1	
12	(90338-32086-00)	PLUG, SPEC'L SHAPE	1	
13	353-18547-00-00	STOPPER, CAM	1	
14	90501-10062-00	SPRING, COMPRESSION	1	
15	214-11198-01-00	GASKET	1	
16	90109-14485-00	BOLT	1	
17	2X5-18511-00-00	FORK, SHIFT 1	1	
18	2X5-18512-00-00	FORK, SHIFT 2	1	
19	(2X5-18513-00-00)	FORK, SHIFT 3	1	
20	93606-14154-00	PIN, DOWEL	3	
21	(2K7-18531-00-00)	BAR, SHIF FRK GDE 1	1	
22	2K7-18535-01-00	BAR, SHIF FRK GDE 2	1	
23	99001-08600-00	CIRCLIP	5	
24	2K7-18122-01-00	LEVER, SHIFT 2 (2K7-18122-00)	1	
25	(90508-10386-00)	SPRING, TORSION	1	
26	2K7-18151-00-00	LEVER, SHIFT 3	1	
27	99080-07600-00	CIRCLIP	1	
28	(2K7-15381-00-00)	PLATE, BRNG COVER	1	

CONTINUED ON NEXT FRAME ►



SHIFT CAM-FORK

Ref. No.	Part Number	Description	Qty	Remarks
29	98603-06012-00	SCREW, OVAL HEAD (92701-06012)	2	

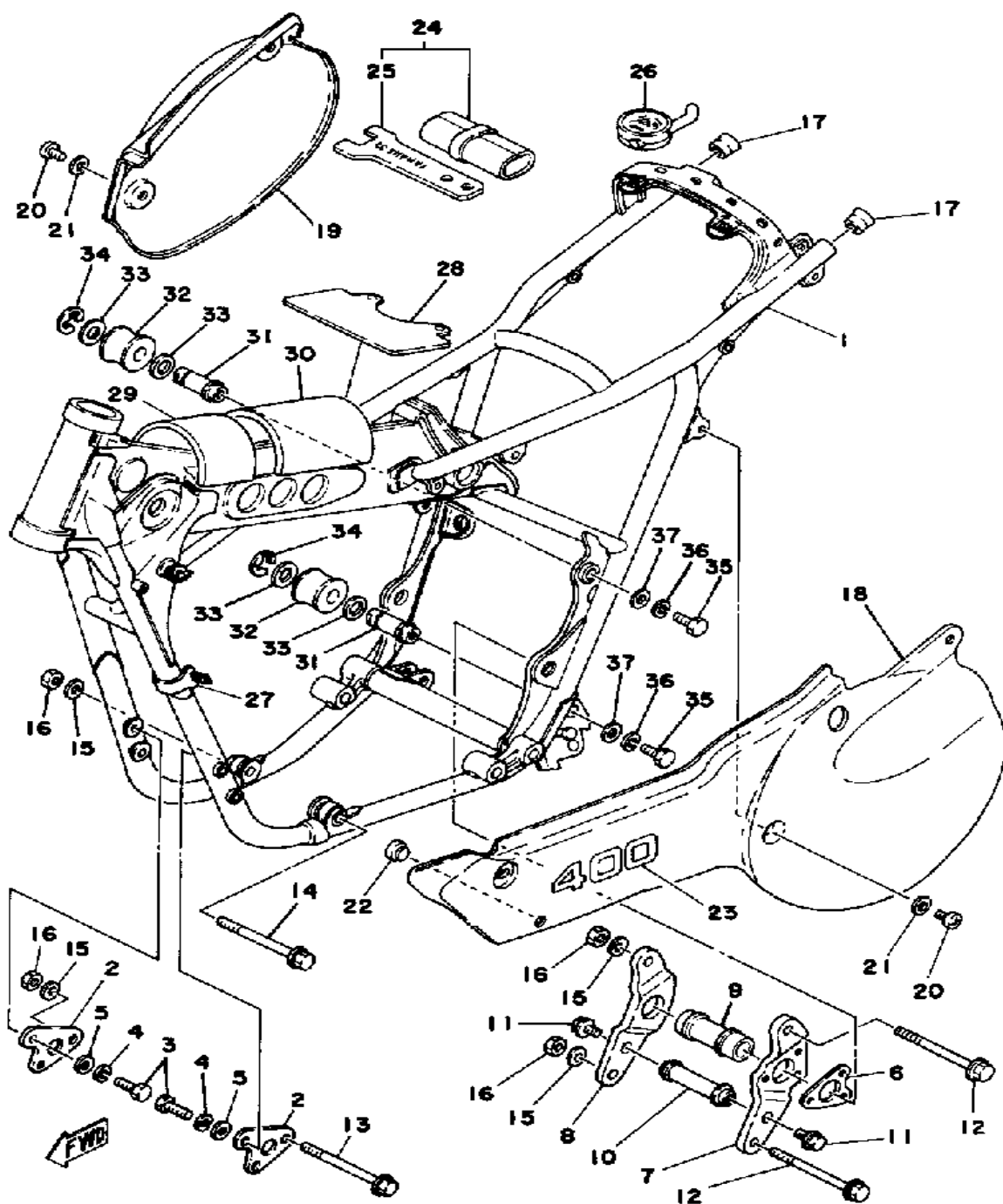


SHIFT SHAFT

Ref. No.	Part Number	Description	Qty	Remarks
1	2X5-18111-00-00	PEDAL, SHIFT (1W4-18111-01)	1	
2	132-18113-01-00	COVER, SHIFT PEDAL	1	
3	97011-06025-00	BOLT (97001-06025)	1	
4	90560-12191-00	SPACER	1	
5	90201-12588-00	WASHER, PLATE	1	
6	93102-12321-00	OIL SEAL, SD-TYPE	1	
7	90508-32374-00	SPRING, TORSION	1	
8	90560-12171-00	SPACER	1	
9	2K7-18101-00-00	SHIFT SHAFT ASSEMBLY 1	1	
10	93608-30152-00	PIN, DOWEL	1	

FWD

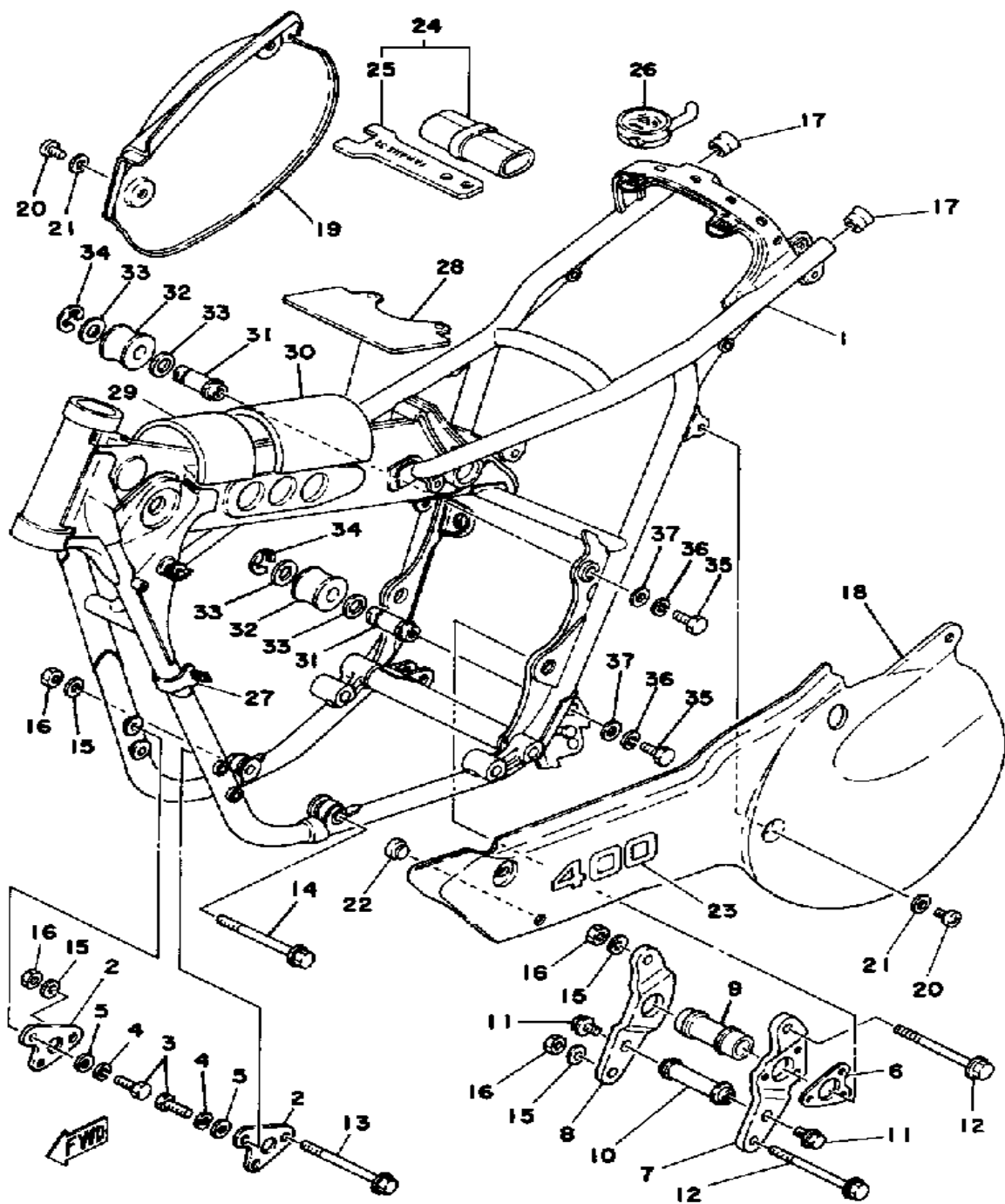
FRAME-SIDE COVER



Ref. No.	Part Number	Description	Qty	Remarks
1	(2X4-21110-01-33)	FRAME	1	YAMAHA BLACK
2	2X4-21415-00-00	BRACKET, FRT UPR 1 (2K7-21415-00)	2	
3	97001-08025-00	BOLT (1NV)	4	
4	92990-08100-00	WASHER, SPRING	4	
5	92901-08600-00	WASHER, PLATE	4	
6	(2X5-21455-00-00)	PLATE, PATCH	1	
7	(2X5-21427-00-00)	BRACKET, REAR LWR 1	1	
8	2X4-21428-00-00	BRACKET, REAR LWR 2	1	
9	2X5-21459-00-00	SPACER	1	
10	(2K7-21424-00-00)	BOSS, ENGINE MOUNT	1	
11	95811-08016-00	BOLT, FLANGE	2	
12	95811-08090-00	BOLT, FLANGE (95822-08090) .	2	
13	95811-08100-00	BOLT	1	
14	95811-08180-00	BOLT, FLANGE	1	
15	92990-08200-00	WASHER, PLAIN	4	
16	90185-08089-00	NUT, SELF-LOCKING	4	
17	90339-13005-00	PLUG	2	
18	2X4-21711-00-98	COVER, SIDE 1	1	COMP. YELLOW/ LOW GLOSS BLK
19	(2X4-21721-00-98)	COVER, SIDE 2	1	COMP. YELLOW/ LOW GLOSS BLK
20	98903-06012-00	SCREW, BIND	5	
21	90201-06571-00	WASHER, PLATE	5	
22	22W-24181-00-00	DAMPER, LOCATING 1	3	
23	(2X5-21737-00-00)	EMBLEM	1	
24	(1W4-28100-00-00)	TOOL KIT	1	
25	10V-28135-00-00	. SPANNER, SPECIAL	1	
26	2X4-2811A-01-00	GAUGE, AIR	1	
27	437-83936-11-00	BAND, SWITCH CORD	1	

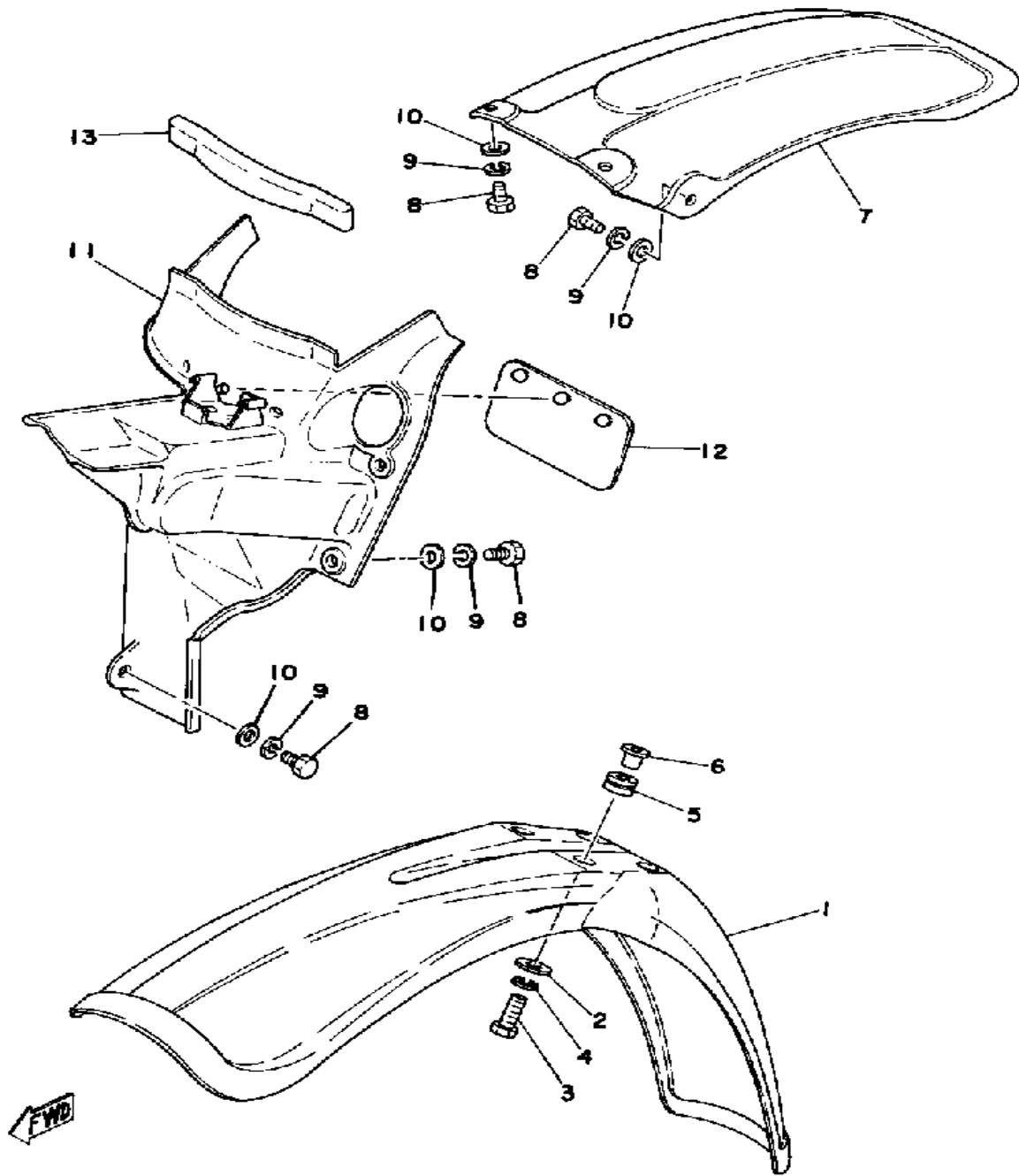
CONTINUED ON NEXT FRAME ►

FRAME-SIDE COVER

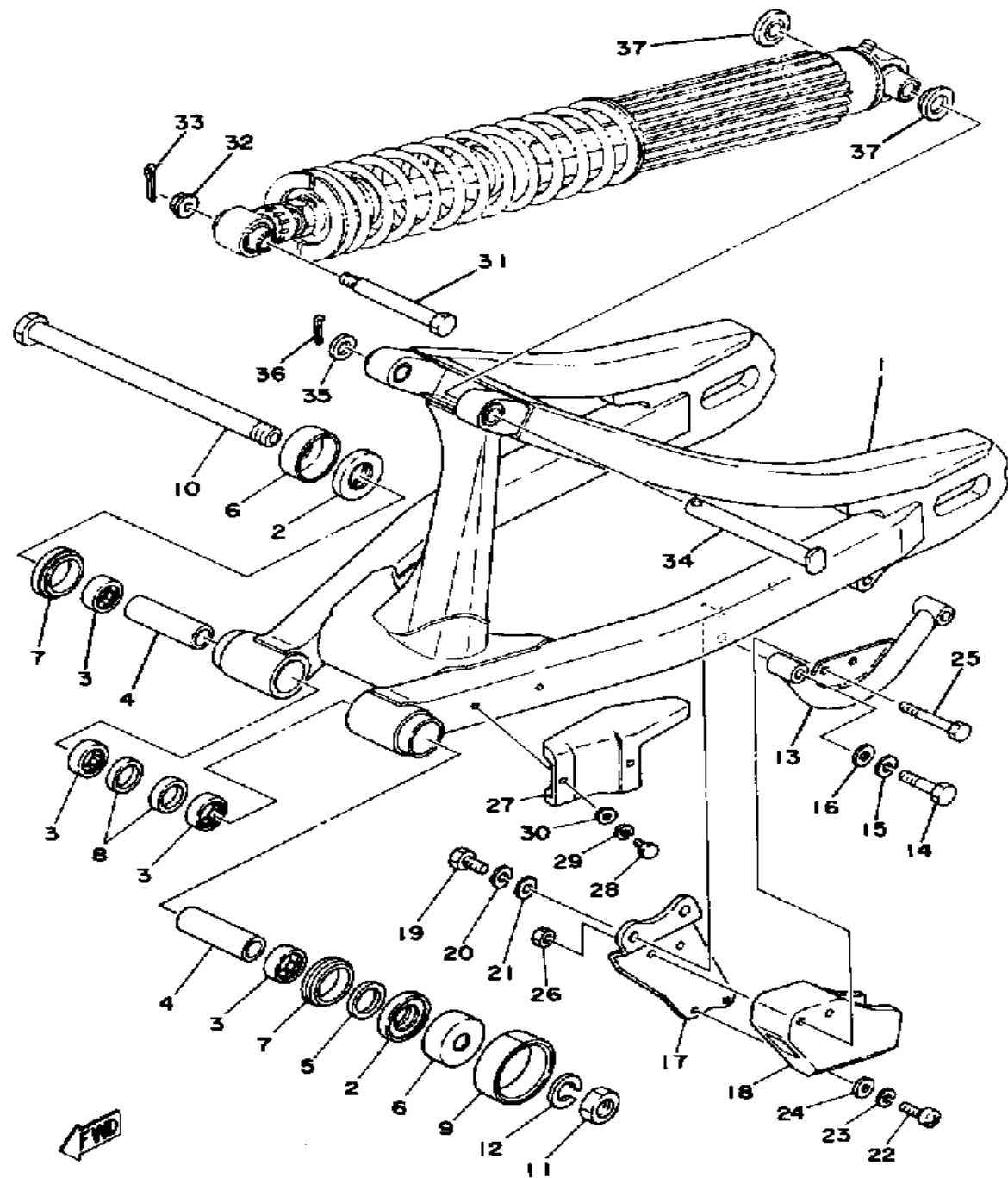


Ref. No.	Part Number	Description	Qty	Remarks
28	(1W1-24181-00-00)	DAMPER, LOCATING 1	1	
29	1W1-24183-00-00	DAMPER, LOCATING 3	1	
30	(2X4-24183-00-00)	DAMPER, LOCATING 3	1	
31	2K6-2148A-02-00	SHAFT	2	
32	2K6-22178-00-00	TENSIONER	2	
33	90201-13202-00	WASHER, PLATE	4	
34	1W1-18136-00-00	CLIP, SHIFT SHAFT	2	
35	97313-08020-00	BOLT, HEXAGON	1	
36	92990-08100-00	WASHER, SPRING	2	
37	92990-08200-00	WASHER, PLAIN	2	

FRONT FENDER-REAR FENDER



Ref. No.	Part Number	Description	Qty	Remarks
1	5X6-21511-01-00	FENDER, FRONT	1	COMP. YELLOW
2	90201-06067-00	WASHER, PLATE	4	
3	97011-06025-00	BOLT (97001-06025)	4	
4	92995-06100-00	WASHER, SPRING	4	
5	90480-14198-00	GROMMET	4	
6	90387-07391-00	COLLAR	4	
7	2K8-21611-00-00	FENDER, REAR (1W4-21611-00)	1	COMP. YELLOW
8	97301-06014-00	BOLT, HEXAGON	7	
9	92995-06100-00	WASHER, SPRING	7	
10	90201-06067-00	WASHER, PLATE	7	
11	(2X5-21620-00-00)	GUARD, MUD	1	
12	1M1-21621-00-00	FLAP	1	
13	565-21746-00-00	DAMPER	1	

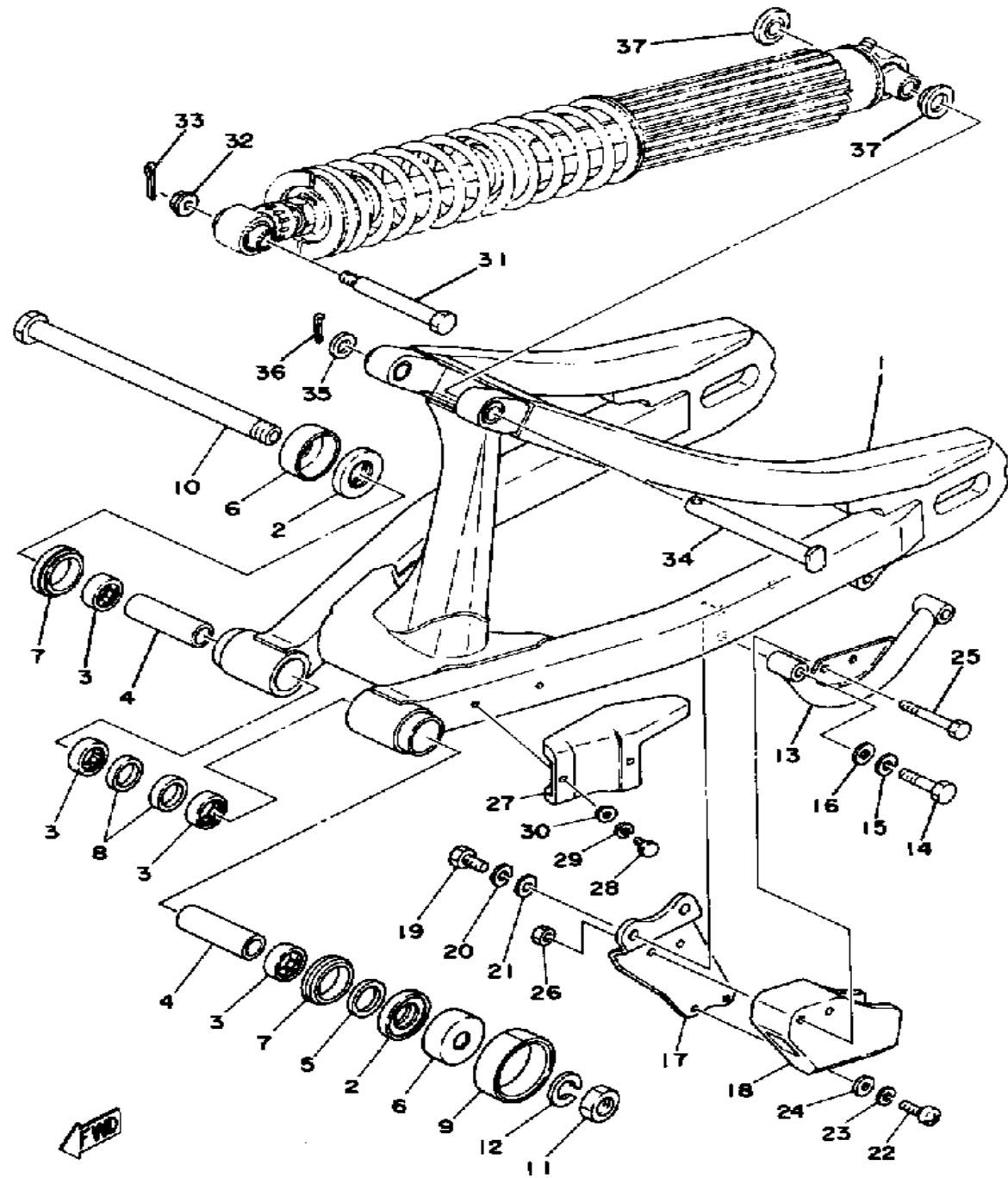


REAR ARM

Ref. No.	Part Number	Description	Qty	Remarks
1	(2X4-22110-01-35)	REAR ARM	1	SILVER
2	93342-22205-00	BEARING, FLAT # 2	2	
3	93317-22214-00	BEARING, CYLINDER.# 7	4	
4	90380-16056-00	BUSH, SOLID	2	
5	648-45533-00-03	SHIM	1	
6	2X4-22129-00-00	COVER, THRUST 2	2	
7	93108-35004-00	OIL SEAL (35-41-8)	2	
8	93109-22018-00	OIL SEAL, SDO-TYPE	2	
9	431-22151-03-00	SEAL, GUARD	1	
10	1W4-22141-00-00	SHAFT, PIVOT	1	
11	90170-16111-00	NUT	1	
12	92901-16100-00	WASHER, SPRING	1	
13	3R5-22153-00-00	GUARD, CHAIN	1	
14	97313-08035-00	BOLT, HEXAGON	2	
15	92990-08100-00	WASHER, SPRING	2	
16	92901-08600-00	WASHER, PLATE	2	
17	2X4-22179-00-00	ARM, TENSIONER	1	
18	2X4-22199-00-00	SUPPORT, CHAIN	1	
19	97313-08018-00	BOLT, HEXAGON	2	
20	92990-08100-00	WASHER, SPRING	2	
21	92901-08600-00	WASHER, PLATE	2	
22	98580-06020-00	SCREW, PAN HEAD	2	
23	92995-06100-00	WASHER, SPRING	2	
24	92901-06600-00	WASHER	2	
25	97313-06050-00	BOLT	2	
26	95601-06100-00	NUT, U	2	
27	3R4-22147-00-00	PROTECTOR, CHAIN	1	
28	97313-05010-00	BOLT, HEXAGON	2	
29	92990-05100-00	WASHER, SPRING	2	

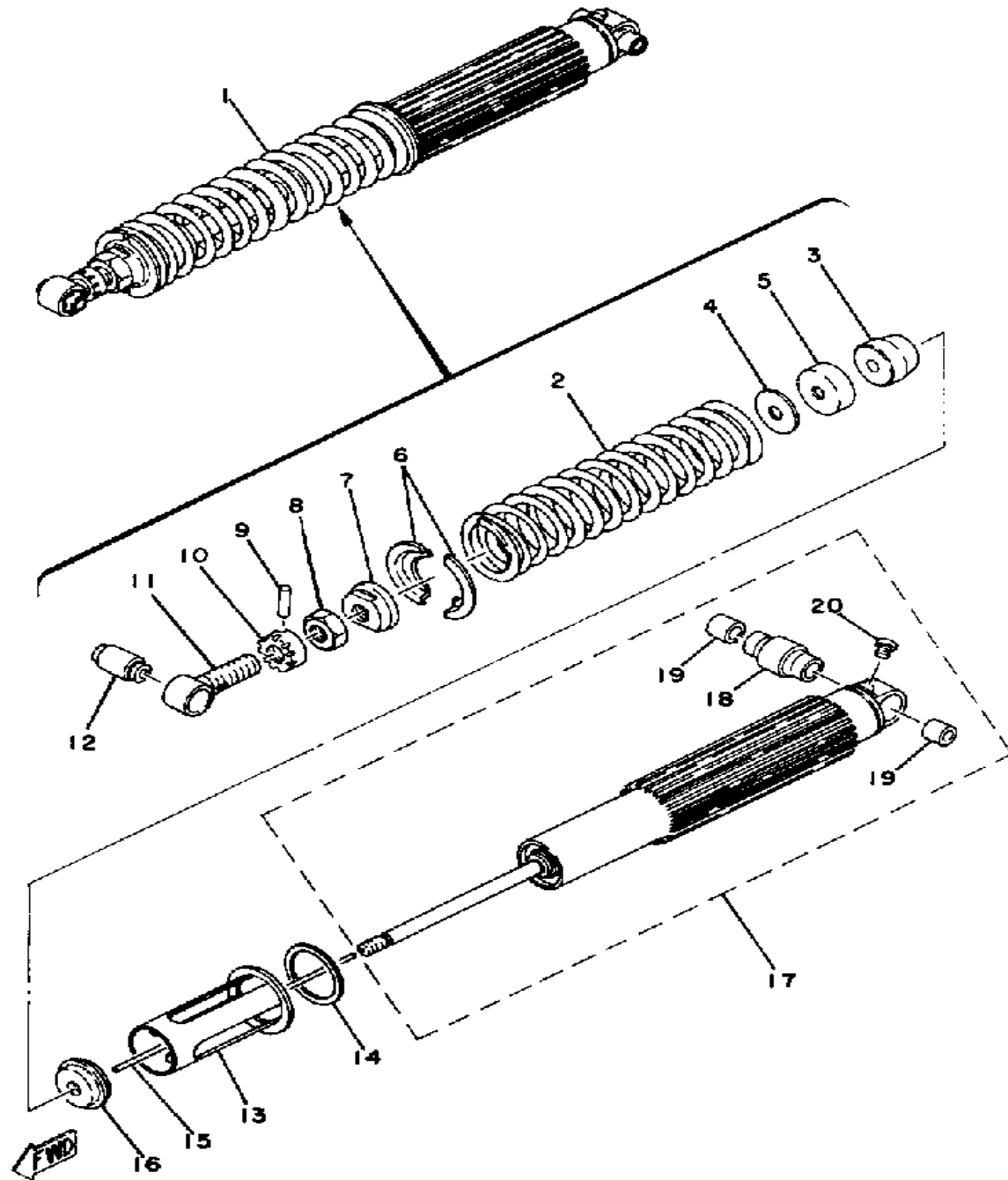
CONTINUED ON NEXT FRAME ►

REAR ARM



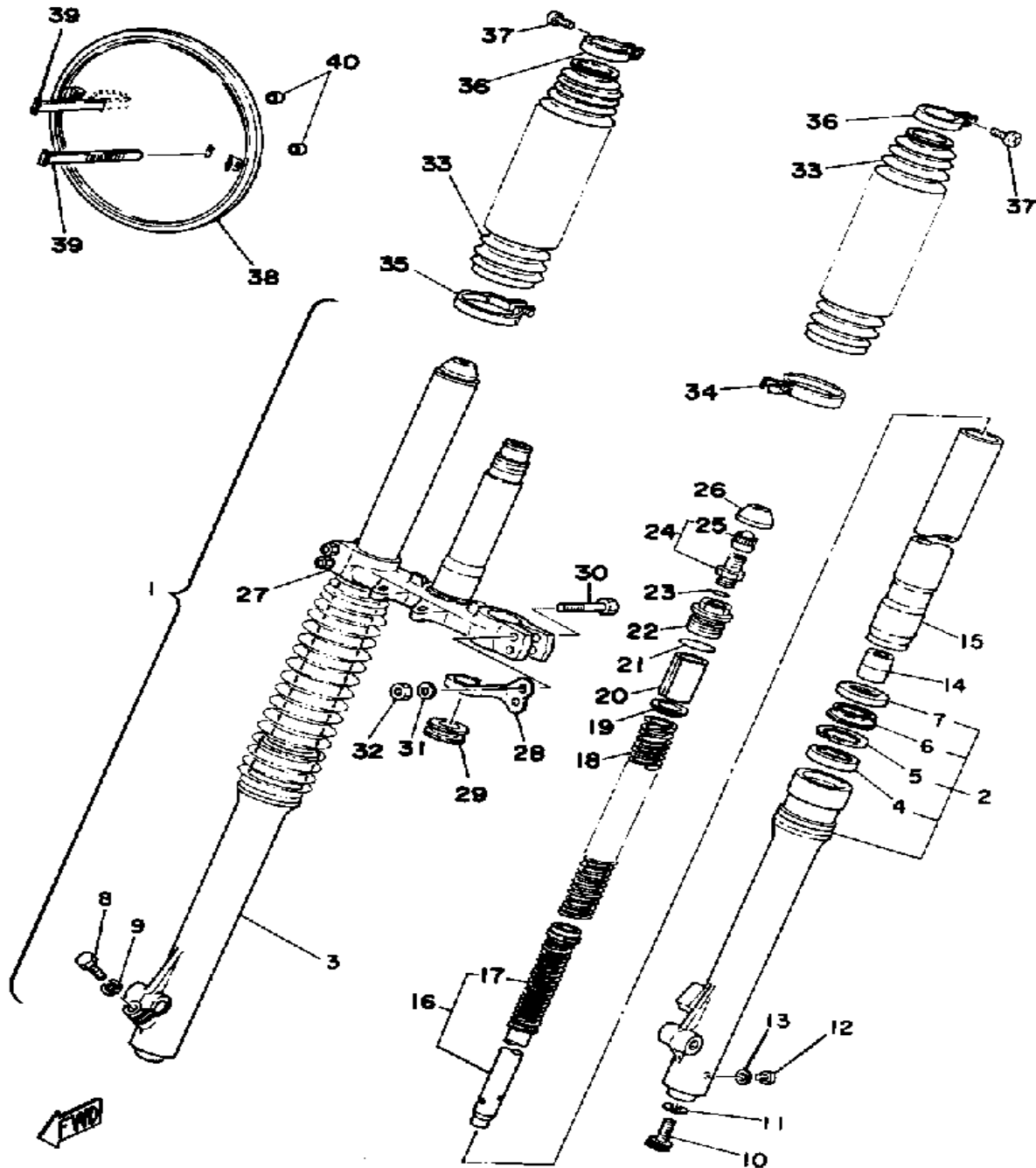
Ref. No.	Part Number	Description	Qty	Remarks
30	92990-05200-00	WASHER, PLAIN	2	
31	90109-08480-00	BOLT	1	
32	90179-08243-00	NUT, SPEC'L SHAPE	1	
33	91490-20020-00	PIN, COTTER (91401-20020-00)	1	
34	90240-12060-00	PIN, CLEVIS	1	
35	92990-12600-00	WASHER, PLATE	1	
36	91401-30030-00	PIN, COTTER	1	
37	1W1-22128-00-00	COVER, THRUST 1	2	

REAR CUSHION



Ref. No.	Part Number	Description	Qty	Remarks
1	(2X5-22210-00-00)	SHK/ABS ASSEMBLY, REAR .	1	
2	(90501-99480-00)	SPRING, COMPRESSION	1	HARD (PAINTED RED)
	(90501-99481-00)	SPRING, COMPRESSION	1	SOFT (PNTD. YELLOW)
	90501-99479-00	. SPRING, COMPRESSION (K=5.03 KG/MM)	1	SOFT (PAINTED BLUE)
3	(2X4-22493-00-00)	BUMP, STOP	1	
4	(2X4-22228-00-00)	SUPPORT, BUMP STOP	1	
5	(2X4-22221-00-00)	COVER	1	
6	2K6-22214-00-00	. GUIDE, SPRING 1	2	
7	(2K6-22213-00-00)	SEAT, SPRING UPPER	1	
8	90170-20320-00	. NUT, HEXAGON	1	
9	93604-26132-00	. PIN, DOWEL	1	
10	(1W1-22497-00-00)	NUT, ADJUSTING	1	
11	(2X4-22219-00-00)	BRACKET, UPPER	1	
12	1YW-22216-00-00	. BUSH, REAR SHOCK ABSORBER	1	
13	(2X4-22224-00-00)	GUIDE, SPRING 2	1	
14	(2X4-22223-00-00)	SEAT, SPRING LOWER	1	
15	(2X4-22489-00-00)	ROD, PUSH	1	
16	(2X4-22472-00-00)	CAP, CASE	1	
17	(2X4-22401-00-00)	DAMPER SUB-ASSEMBLY.	1	
18	1W1-22226-00-00	.. BUSH, SHOCK ABS LWR ..	1	
19	90380-12051-00	. BUSH, SOLID	2	
20	98511-04006-00	.. SCREW, PAN HEAD	1	

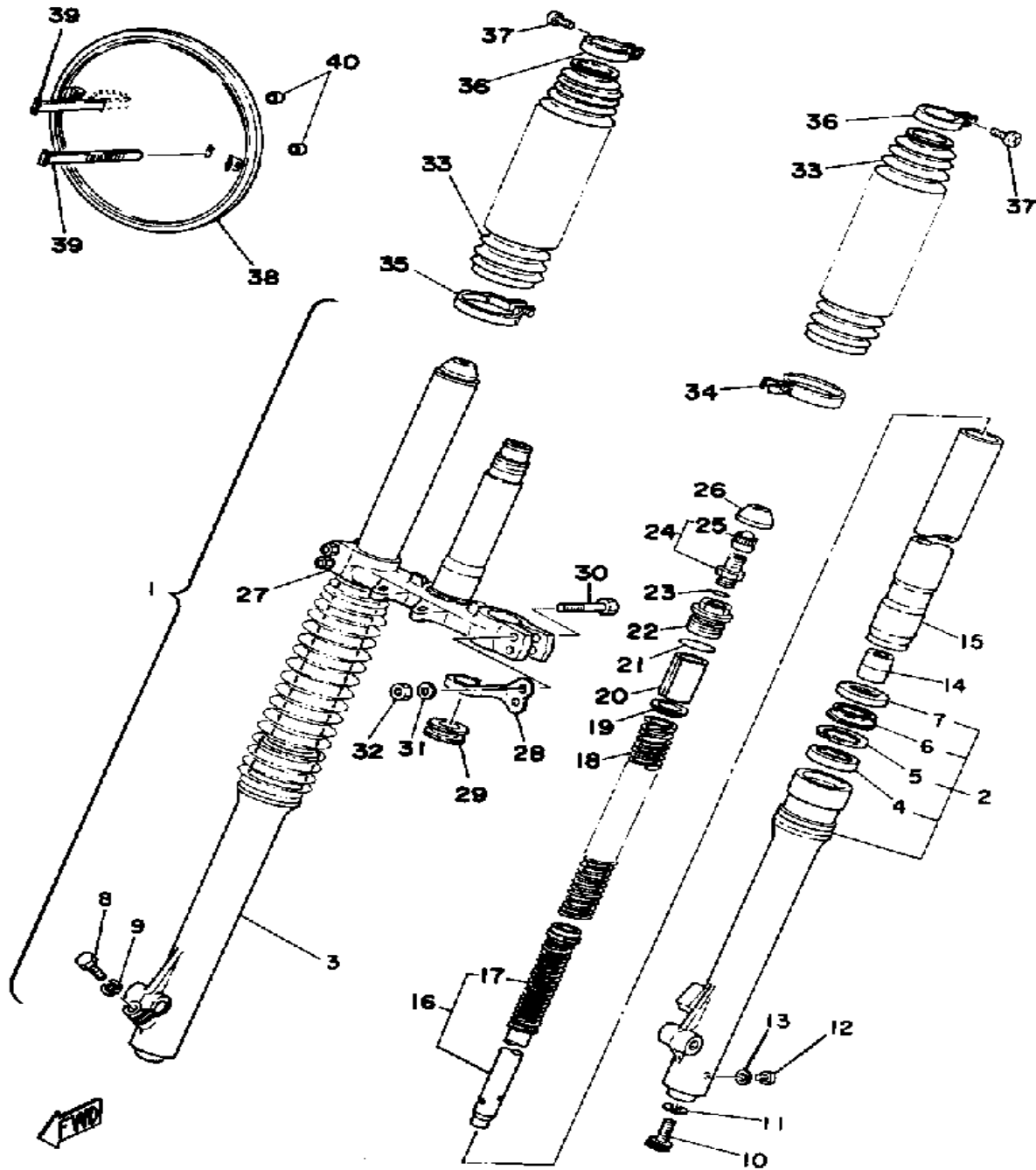
FRONT FORK



Ref. No.	Part Number	Description	Qty	Remarks
1	(2X4-23101-L0-00)	FRONT FORK ASSEMBLY	1	
2	(2K8-23126-L0-00)	TUBE, OUTER 1	1	
3	(2K8-23136-L0-00)	TUBE, OUTER 2	1	
4	3EN-23145-00-00	. . OIL SEAL	2	
5	(1W4-23156-L0-00)	CLIP, OIL SEAL	2	
6	1W4-23144-L0-00	. . SEAL, DUST	2	
7	1W4-23148-L0-00	. . COVER, DUST SEAL	2	
8	(1W4-23128-L0-00)	BOLT, AXLE HOLDER	1	
9	92990-08100-00	. WASHER, SPRING	5	
10	(2K8-23181-L0-00)	BOLT, HEX SCKT HEAD	2	
11	2K8-23158-L0-00	. GASKET	2	
12	98580-04008-00	. SCREW, PAN HEAD	2	
13	122-23129-00-00	. GASKET, DRAIN PLUG	2	
14	(3R4-23173-L0-00)	SPINDLE, TAPER	2	
15	(2X4-23110-L0-00)	INNER TUBE 1	2	
16	(2X4-23170-L0-00)	CYLINDER, FRTRFK	2	
17	(2X4-23152-L0-00)	SPRING, SUB	2	
18	(2X4-23141-10-00)	SPRING, FRONT FORK	2	SOFT (USE SPACER1W4-23118-L0 WITH SET)
	(2X4-23141-20-00)	SPRING, FRONT FORK	2	HARD (USE SPACER1W23118-L0 WITH SET)
	(2X4-23141-L0-00)	SPRING, FRONT FORK	2	
19	1W4-23142-L0-00	. SEAT, SPRING UPPER	2	
20	(1W4-23118-L0-00)	SPACER	2	
21	1W4-23114-L0-00	. GASKET	2	
22	1W4-23111-L1-00	. BOLT, CAP	2	
23	509-23163-L0-00	. O-RING	2	
24	509-23190-L0-00	. AIR VALVE	2	

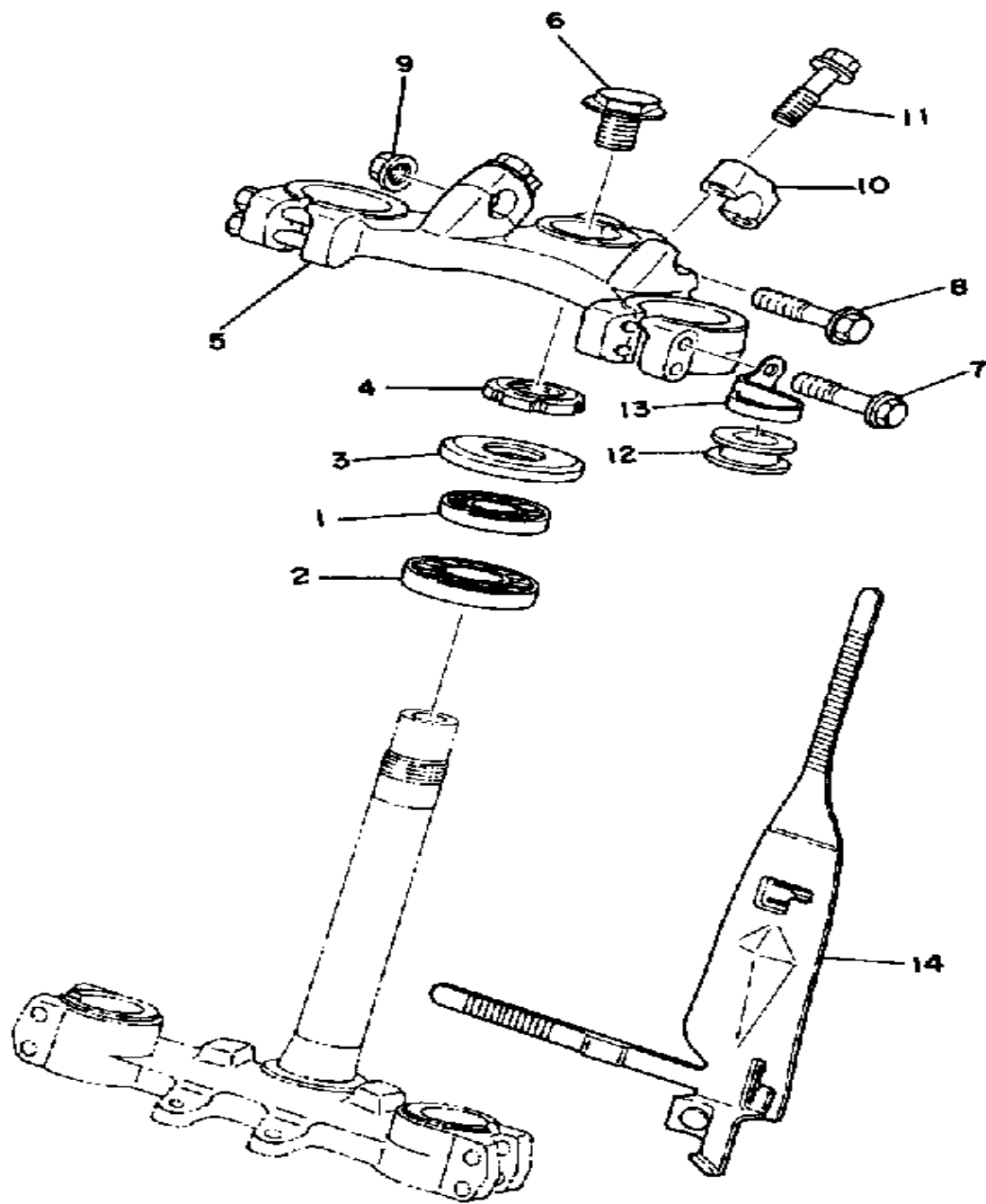
CONTINUED ON NEXT FRAME ►

FRONT FORK



Ref. No.	Part Number	Description	Qty	Remarks
25	509-23184-L0-00	. . CAP, AIR VALVE	2	
26	1W1-23185-L0-00	. COVER, VALVE	2	
27	(2X4-23340-L0-33)	UNDER BRACKET	1	YAMAHA BLACK
28	1W1-23317-01-00	. HOLDER, CABLE	1	
29	1W1-23389-00-00	. GUIDE, CABLE	1	
30	90101-08340-00	. BOLT	4	
31	92901-08600-00	. WASHER, PLATE	4	
32	95333-08600-00	. NUT	4	
33	2X4-23191-L0-00	BOOT, FRONT FORK	2	YELLOW
34	(1W4-23318-L1-00)	HOLDER, CABLE 1	1	
35	1W4-23489-L0-00	BAND	1	
36	341-92090-60-00	BAND, BOOT	2	
37	509-23194-L0-00	SCREW, BOOT BAND	2	
38	3R0-23485-00-00	PLATE, NUMBER	1	
39	2X4-23489-00-00	BAND	2	
40	(90446-09158-00)	HOSE	2	

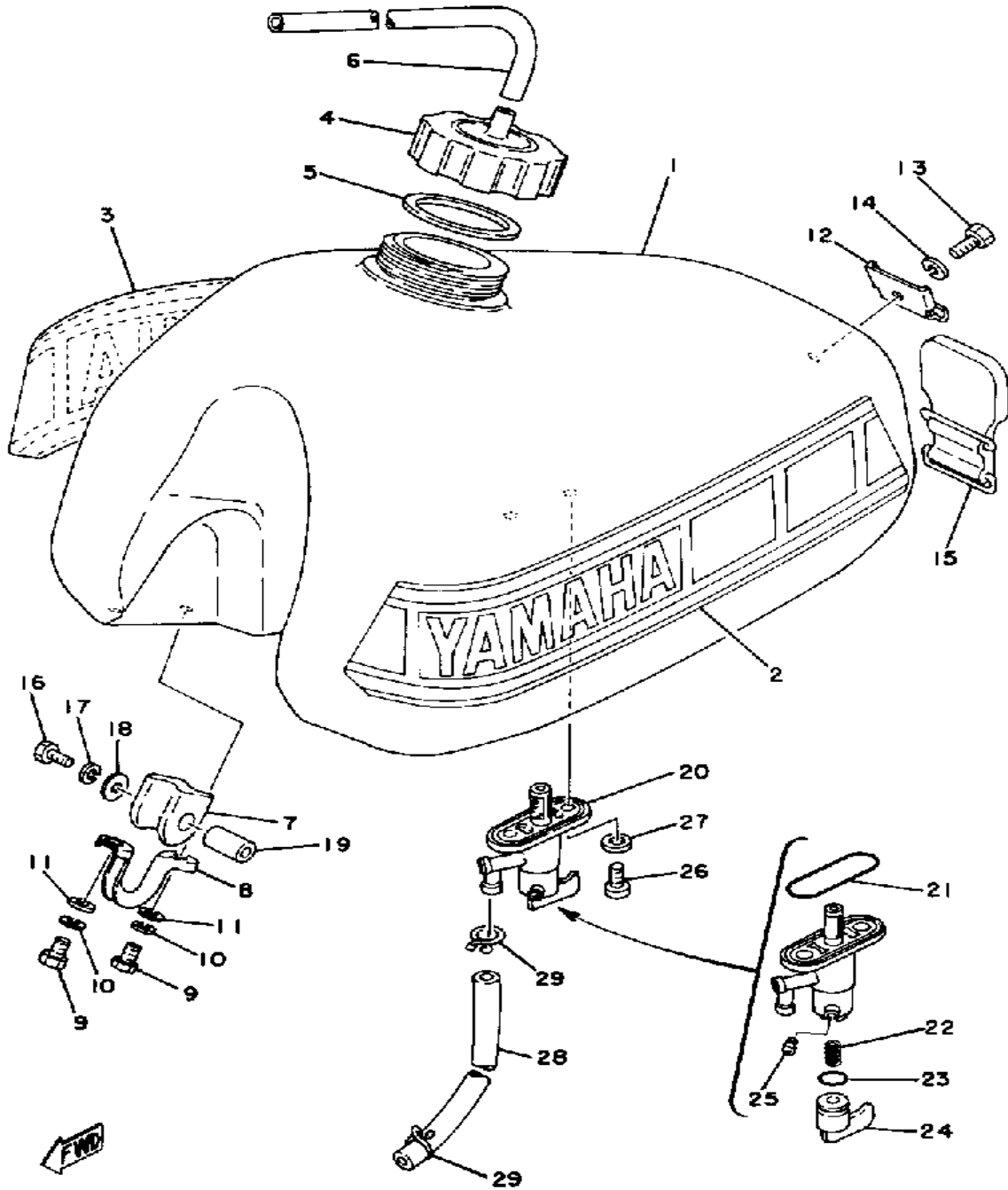
STEERING



Ref. No.	Part Number	Description	Qty	Remarks
1	93332-00001-00	BEARING	1	
2	93332-00008-00	BEARING	1	
3	3HE-23416-00-00	COVER, BALL RACE 2	1	
4	90179-25033-00	NUT	1	
5	1W4-23435-00-98	CROWN, HANDLE	1	LOW GLOSS BLK
6	90105-14136-00	BOLT, WASHER BASED	1	
7	95811-08055-00	BOLT, FLANGE	1	
8	95701-08500-00	NUT, FLANGE (95702-08500) ..	1	
9	1E6-23441-00-00	HOLDER, HANDLE UPPER ...	2	LOWW GLOSS BLK
10	95811-08035-00	BOLT, FLANGE	4	
11	1W1-23389-00-00	GUIDE, CABLE	1	
12	1W1-23317-01-00	HOLDER, CABLE	1	
13	2X4-23389-00-00	GUIDE, CABLE	1	
14				

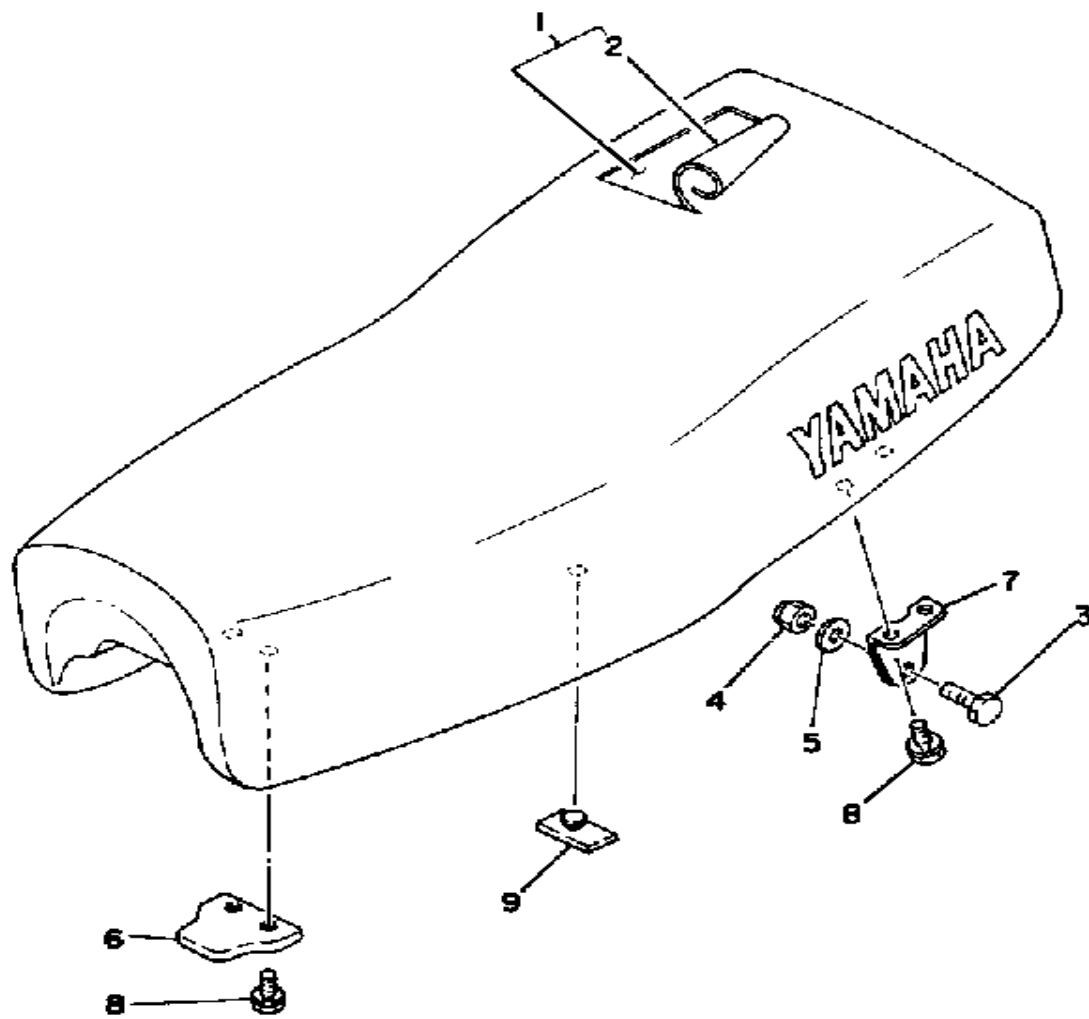
FWD

FUEL TANK



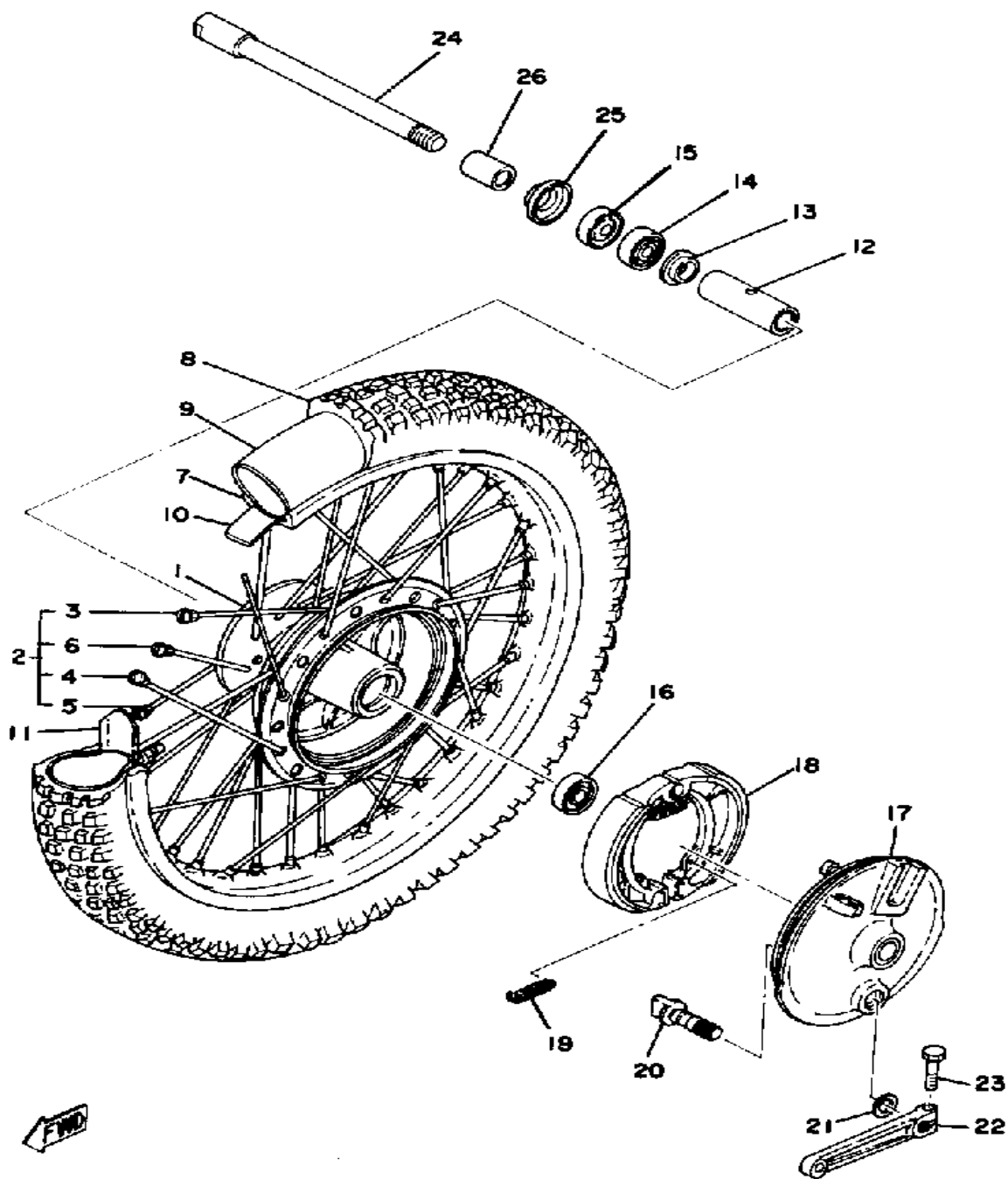
Ref. No.	Part Number	Description	Qty	Remarks
1	(2X4-24110-00-00)	FUEL TANK	1	COMP. YELLOW
2	2X4-24244-20-00	GRAPHIC, FUEL TNK 1	1	
3	(2X4-24245-20-00)	GRAPHIC, FUEL TNK 2	1	
4	1W1-24611-00-00	BODY, CAP	1	
5	1W1-24612-00-00	GASKET, CAP	1	
6	90445-09361-00	HOSE	1	
7	1W1-24182-01-00	DAMPER, LOCATING 2	2	
8	1W1-24144-01-00	HOLDER, DAMPER	2	
9	97013-06012-00	BOLT	4	
10	92995-06100-00	WASHER, SPRING	4	
11	92901-06600-00	WASHER	4	
12	1W1-24192-00-00	BRACKET, FUEL TNK 2	1	
13	97013-06012-00	BOLT	1	
14	92995-06100-00	WASHER, SPRING	1	
15	1W1-24173-00-00	BAND, TNK FITTING 1	1	
16	97013-06035-00	BOLT	2	
17	92995-06100-00	WASHER, SPRING	2	
18	90201-06407-00	WASHER, PLATE	2	
19	90387-07393-00	COLLAR	2	
20	2K5-24500-00-00	FUEL COCK ASSEMBLY 1 ...	1	
21	214-24512-00-00	. GASKET	1	
22	1A0-24529-01-00	. SPRING	1	
23	1A0-24512-00-00	. GASKET	1	
24	1A0-24524-01-00	. LEVER, COCK	1	
25	619-24535-00-00	. SCREW, LVR FITTING	1	
26	90149-06011-00	SCREW	2	
27	90202-05187-00	WASHER, PLATE	2	
28	90445-11182-00	HOSE	1	
29	90467-10008-00	CLIP	2	

SEAT



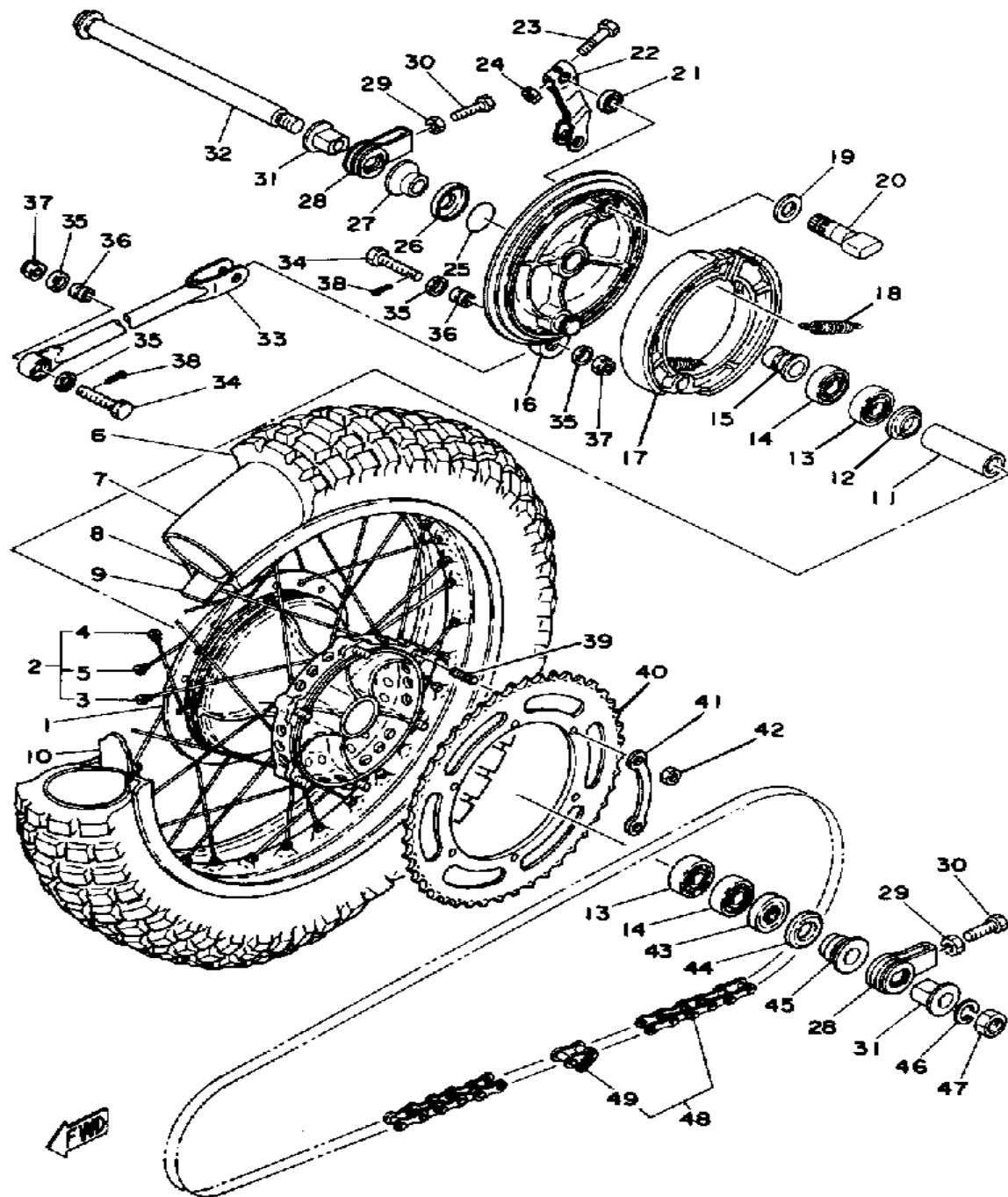
Ref. No.	Part Number	Description	Qty	Remarks
1	(2X4-W2473-00-00)	SEMI-DBL-SEAT ASSEMBLY ..	1	
2	3R4-24771-00-00	. COVER, SM-DBL SEAT	1	
3	97013-06035-00	BOLT	2	
4	95601-06100-00	NUT, U	2	
5	92990-06200-00	WASHER, PLAIN	2	
6	1M1-24748-00-00	BRACKET, SEAT	1	
7	1W1-24738-00-00	BRACKET, SEAT	2	
8	90101-06304-00	BOLT	6	
9	509-24724-00-00	DAMPER, SEAT	6	





FRONT WHEEL

Ref. No.	Part Number	Description	Qty	Remarks
1	1K7-25111-10-98	HUB, FRONT	1	LOW GLOSS BLK
2	2W6-25104-02-00	SPOKE SET, FRONT	1	
3	(2W6-25196-90-00)	SPOKE SET, INNER 1	1	
4	(2W6-25197-90-00)	SPOKE SET, OUTER 1	1	
5	(2W6-25179-90-00)	SPOKE SET, INNER 2	1	
6	(2W6-25189-90-00)	SPOKE SET, OUTER 2	1	
7	94416-21326-00	RIM 1.60X 1	1	
8	(94130-213A4-00)	300-21 M1B (TT)	1	
9	94230-21126-00	TUBE	1	
10	(94330-21088-00)	BAND, RIM	1	
11	1T1-25194-00-00	SPACER, BEAD	1	
12	90560-15116-00	SPACER	1	
13	146-25116-00-00	FLANGE, SPACER 2	1	
14	93306-20209-00	BEARING	1	
15	93102-20009-00	OIL SEAL, SD-TYPE	1	
16	93306-20226-00	BEARING	1	
17	1W1-25016-11-98	BRAKE SHOE PLT ASSEMBLY (1W1-25121-02-98)	1	LOW GLOSS BLK
18	322-W2535-00-00	BRAKESHOE SET-2PCS	2	
19	90506-17328-00	SPRING, TENSION	2	
20	23X-25151-00-00	CAMSHAFT	1	
21	137-25159-00-00	SEAL, CAMSHAFT	1	
22	322-25155-00-00	LEVER, CAMSHAFT 1	1	
23	90101-06291-00	BOLT	1	
24	509-25181-00-00	AXLE, WHEEL	1	
25	322-25118-00-00	COVER, HUB DUST	1	
26	90387-152J3-00	COLLAR	1	

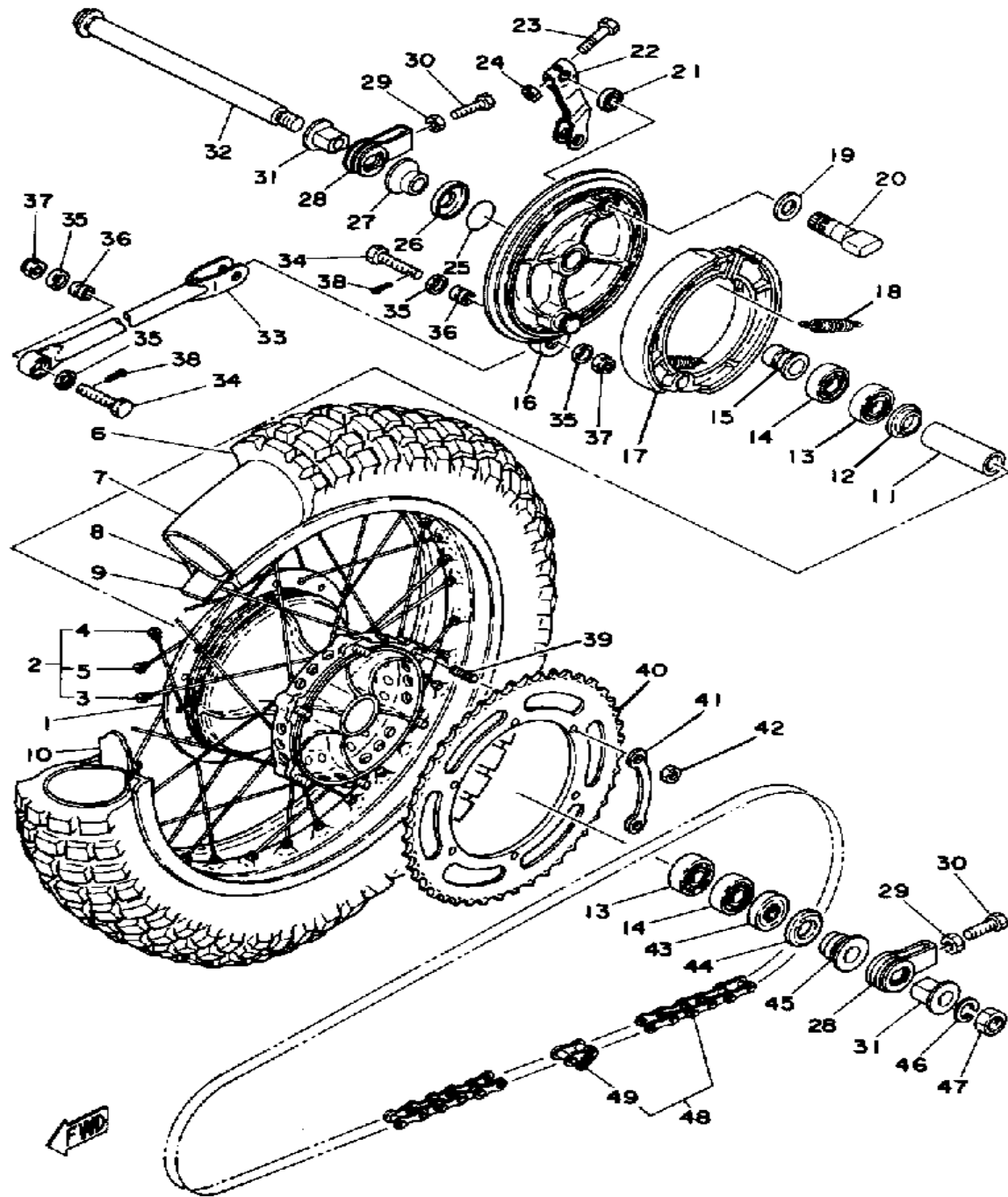


REAR WHEEL

Ref. No.	Part Number	Description	Qty	Remarks
1	(483-25311-13-98)	HUB, REAR	1	LOW GLOSS BLK
2	2X5-25304-00-00	SPOKE SET, REAR	1	
3	(2X5-25396-90-00)	SPOKE SET, INNER 2	1	
4	(2X5-25391-90-00)	SPOKE SET, INNER 1	1	
5	(2X5-25392-90-00)	SPOKE SET, OUTER 1	1	
6	94115-186A2-00	150/80-18 M2A (TT) (94151-18684) (4.50-18-4PR)	1	
7	94245-18125-00	TUBE	1	
8	(94425-18218-00)	RIM 2.50X 8	1	
9	94345-18081-00	BAND, RIM	1	
10	2X5-25394-00-00	SPACER, BEAD	2	
11	483-25317-01-00	SPACER, BEARING	1	
12	483-25315-00-00	FLANGE, SPACER	1	
13	93306-20310-00	BEARING (B6203DU)	2	
14	93306-20310-00	BEARING (B6203DU)	2	
15	(90387-17700-00)	COLLAR	1	
16	(2X4-25321-00-98)	PLATE, BRAKE SHOE	1	LOW GLOSS BLK
17	2X4-W2536-00-00	BRAKESHOE SET-2PCS	2	
18	90507-20002-00	SPRING, TENSION	2	
19	148-25353-00-00	SHIM, CAMSHAFT	1	
20	1E6-25151-00-00	CAMSHAFT	1	
21	148-25359-00-00	SEAL, CAMSHAFT	1	
22	2X4-25355-00-00	LEVER, CAMSHAFT	1	
23	90101-06278-00	BOLT	1	
24	95380-06600-00	NUT, HEXAGON	1	
25	93210-31114-00	O-RING	1	
26	275-25327-00-00	COVER, PLATE	1	
27	(90387-17651-00)	COLLAR	1	
28	2K8-25388-00-00	PULLER, CHAIN 1	2	

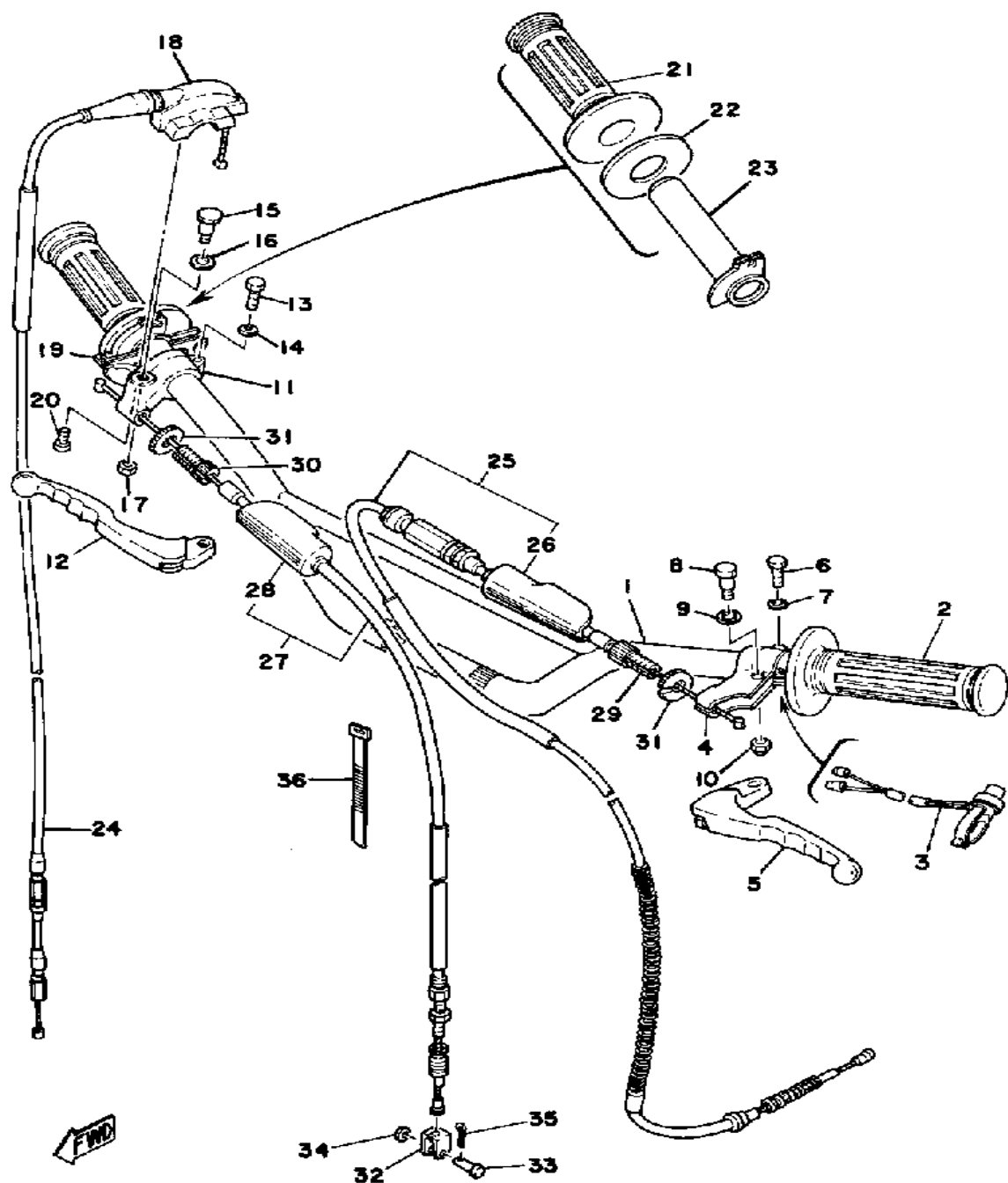
CONTINUED ON NEXT FRAME ►

REAR WHEEL



Ref. No.	Part Number	Description	Qty	Remarks
29	95303-08700-00	NUT	2	
30	90101-08699-00	BOLT	2	
31	90381-17027-00	BUSH, SOLID	2	
32	2K8-25381-00-00	AXLE, WHEEL	1	
33	2X4-25371-00-00	BAR, TENSION	1	
34	90102-08034-00	BOLT, WITH HOLE	2	
35	93104-11056-00	OIL SEAL, SO-TYPE	4	
36	90387-08699-00	COLLAR	2	
37	95611-08100-00	NUT, U	2	
38	91490-20020-00	PIN, COTTER (91401-20020-00)	2	
39	90116-08218-00	BOLT, STUD	6	
40	(431-25448-04-XX)	SPROCKET, DRIVN 48T	1	
	(431-25452-04-XX)	SPROCKET, DRIVN 52T	1	
	431-25450-04-XX	SPROCKET, DRIVN 50TSPROCKET WHEEL (50T)	1	STD
	431-25454-04-XX	SPROCKET, DRIVN 54TSPROCKET WHEEL (54T)	1	
41	583-25412-00-00	WASHER	3	
42	90170-08193-00	NUT, HEXAGON	6	
43	93102-25061-00	OIL SEAL, SD-TYPE	1	
44	431-25367-00-00	COVER, HUB DUST	1	
45	90387-17650-00	COLLAR	1	
46	92995-06100-00	WASHER, SPRING	1	
47	90170-16177-00	NUT, HEXAGON	1	
48	94585-20108-00	520 DS 108L (520DS-108L)	1	
49	94680-11001-00	. JOINT CHAIN	1	

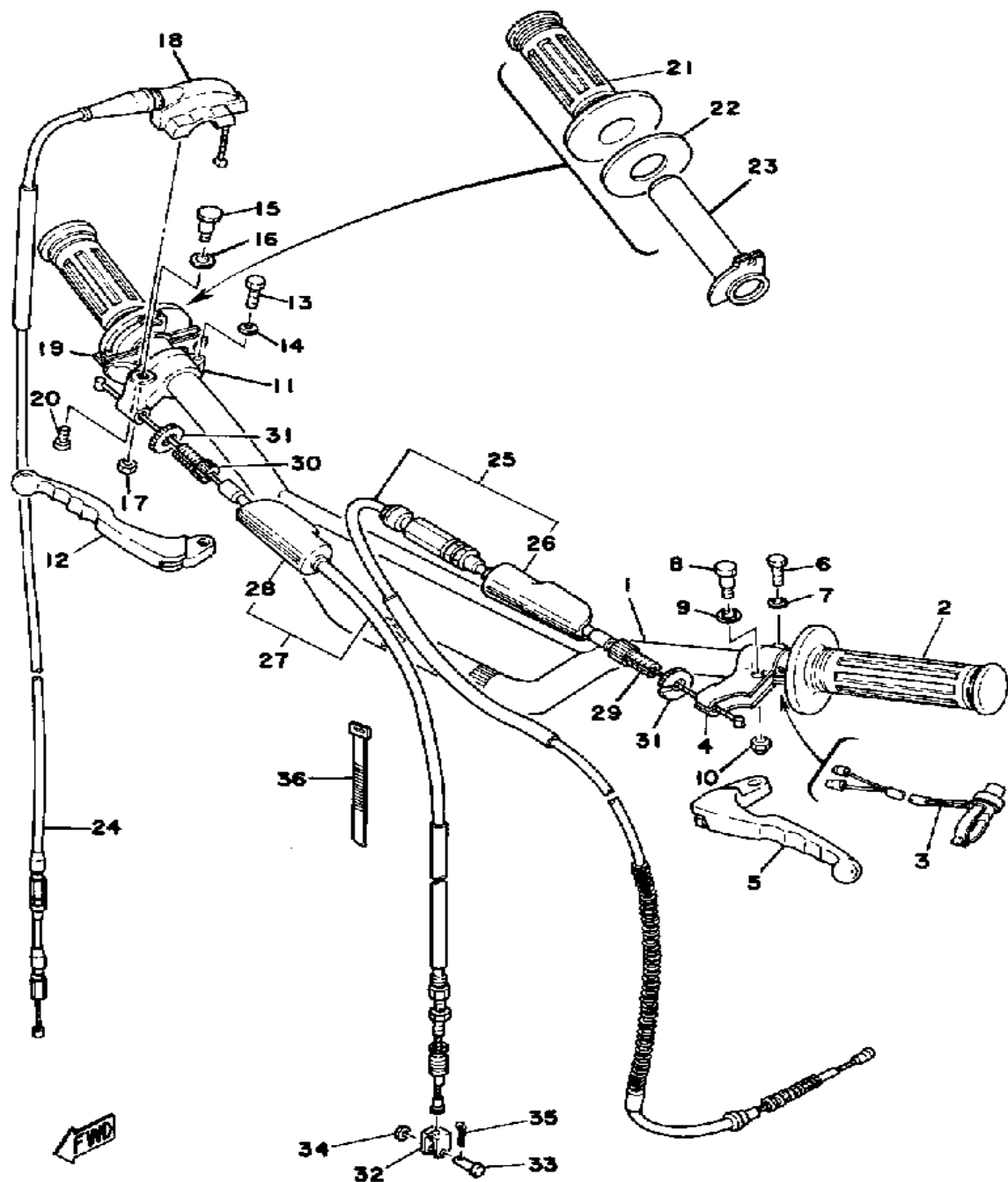
HANDLE-WIRE



Ref. No.	Part Number	Description	Qty	Remarks
1	2X4-26111-01-00	HANDLEBAR	1	
2	1E6-26241-00-00	GRIP LH (L.H.)	1	
3	23X-83976-00-00	SWITCH, HANDLE 1	1	
4	214-82911-01-00	HOLDER, LEVER 1	1	
5	23X-83912-00-00	LEVER L	1	
6	97003-06022-00	BOLT, HEXAGON	1	
7	92995-06100-00	WASHER, SPRING	1	
8	90109-06797-00	BOLT	1	
9	90201-08083-00	WASHER, PLATE	1	
10	95601-06100-00	NUT, U	1	
11	516-82921-30-00	HOLDER, LEVER 2	1	
12	23X-83922-00-00	LEVER 2	1	
13	97003-06022-00	BOLT, HEXAGON	1	
14	92995-06100-00	WASHER, SPRING	1	
15	90109-06797-00	BOLT	1	
16	90201-08083-00	WASHER, PLATE	1	
17	95601-06100-00	NUT, U	1	
18	431-26281-01-98	CAP, GRIP UPPER (431-26281-01)	1	
19	431-26282-01-98	CAP, GRIP LOWER	1	
20	98580-05016-00	SCREW, PAN HEAD	2	
21	583-26242-00-00	GRIP RH (R.H.)	1	
22	1W1-26249-00-00	RING, LEAF	1	
23	431-26243-00-00	TUBE, THRTL GUIDE	1	
24	2K8-26311-01-00	CABLE, THROTTLE 1 (1130MM)	1	
25	2K7-26335-00-00	CABLE, CLUTCH (1150MM) ...	1	
26	382-26372-01-00	. COVER, HANDLE LEVER ...	1	
27	1W4-26341-02-00	CABLE, BRAKE (1230MM)	1	
28	382-26372-01-00	. COVER, HANDLE LEVER ...	1	

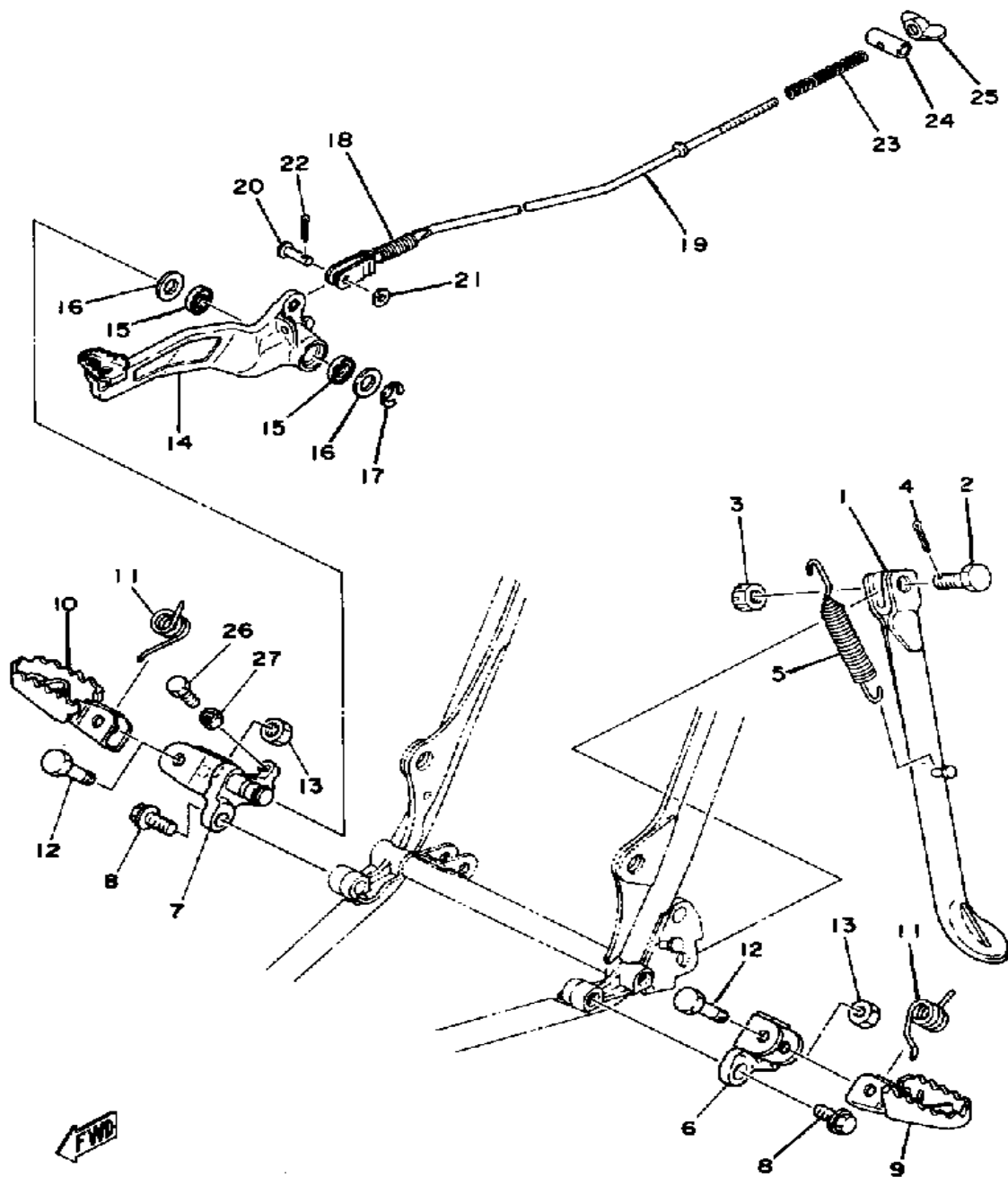
CONTINUED ON NEXT FRAME ►

HANDLE-WIRE



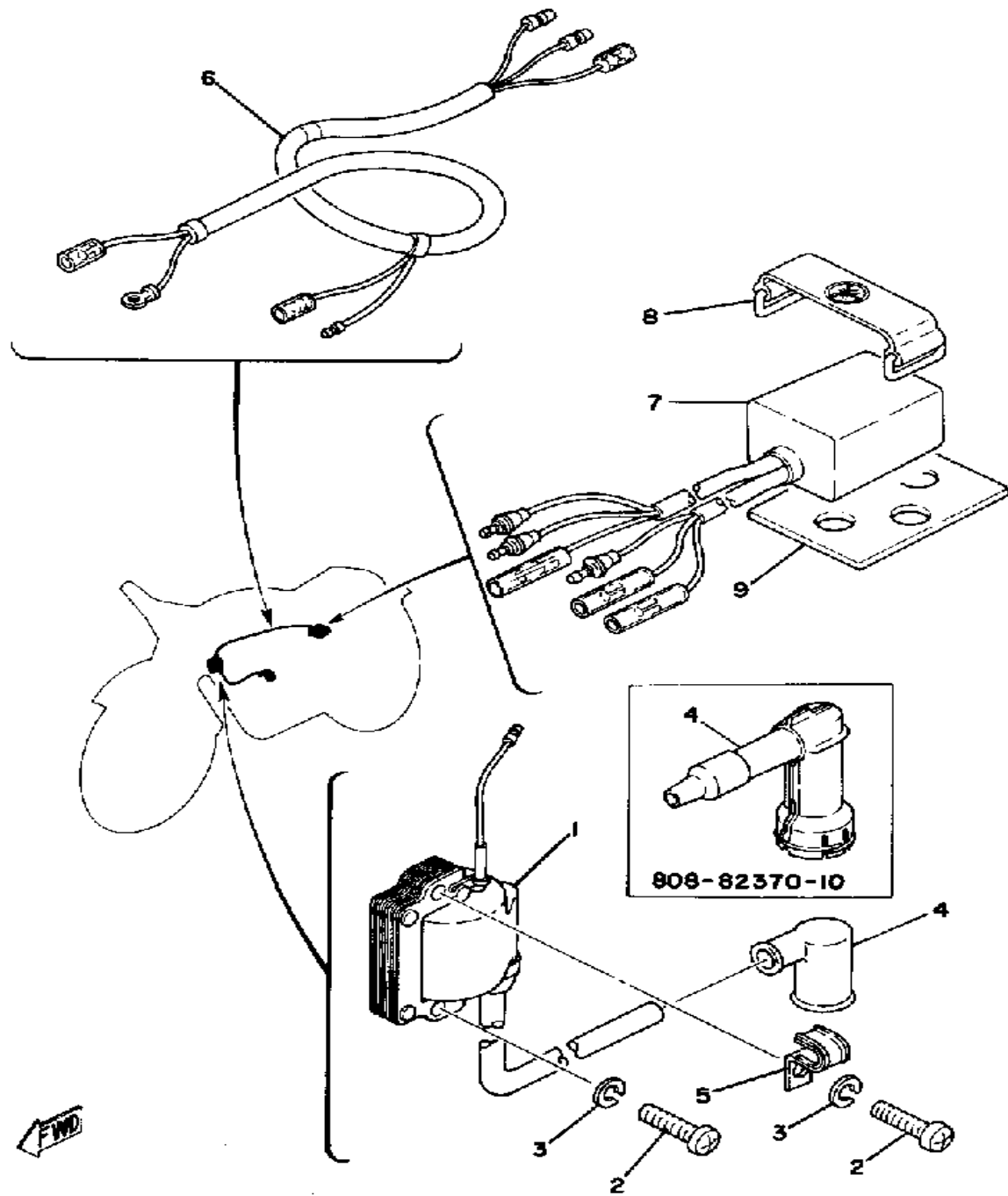
Ref. No.	Part Number	Description	Qty	Remarks
29	90123-08013-00	BOLT	1	
30	90123-08046-00	BOLT	1	
31	90179-08148-00	NUT	2	
32	156-26347-00-00	JOINT, CABLE	1	
33	90240-08013-00	PIN, CLEVIS	1	
34	90201-08083-00	WASHER, PLATE	1	
35	91490-20020-00	PIN, COTTER (91401-20020-00)	1	
36	437-83936-01-00	BAND, SWITCH CORD	2	

STAND-FOOTREST-BRAKE PEDAL



Ref. No.	Part Number	Description	Qty	Remarks
1	(2K7-27311-00-00)	STAND, SIDE	1	
2	90102-10006-00	BOLT, WITH HOLE (278-27317-00)	1	
3	95303-10900-00	NUT, SLOTTED	1	
4	91490-20025-00	PIN, COTTER (91490-20020-00)	1	
5	90507-29008-00	SPRING, TENSION	1	
6	2X4-27412-00-00	BRACKET, FOOTREST 1	1	
7	2X4-27422-00-00	BRACKET, FOOTREST 2	1	
8	90105-12096-00	BOLT, WASHER BASED	4	
9	3R4-27411-00-00	FOOTREST 1	1	
10	3R4-27421-00-00	FOOTREST 2	1	
11	90508-20023-00	SPRING, TORSION	2	
12	90101-08428-00	BOLT	2	
13	95611-08100-00	NUT, U	2	
14	(2X4-27200-01-00)	PEDAL, BRAKE	1	
15	93109-14021-00	OIL SEAL, SDO-TYPE	2	
16	90201-14411-00	WASHER, PLATE	2	
17	93430-10015-00	CIRCLIP	1	
18	90506-20192-00	SPRING, TENSION	1	
19	2X4-27231-01-00	ROD, BRAKE	1	
20	90240-06103-00	PIN, CLEVIS	1	
21	92990-06200-00	WASHER, PLAIN	1	
22	91490-20020-00	PIN, COTTER (91401-20020-00)	1	
23	90501-10245-00	SPRING, COMPRESSION	1	
24	90249-12008-00	PIN	1	
25	90179-06411-00	NUT, SPECIAL SHAPE	1	
26	97011-06020-00	BOLT	1	
27	95380-06700-00	NUT	1	

ELECTRICAL



Ref. No.	Part Number	Description	Qty	Remarks
1	5G4-82310-40-00	IGNITION COIL ASSEMBLY ...	1	
2	5G4-82310-40-00	IGNITION COIL ASSEMBLY ...	2	
	98511-06025-00	SCREW PAN HEAD	2	
3	92995-06100-00	WASHER, SPRING	2	
4	294-82370-00-00	PLUG CAP ASSEMBLY	1	
5	90462-05005-00	CLAMP	1	
6	(1W4-82590-00-00)	WIRE HARNESS ASSEMBLY ..	1	
7	2X7-85540-20-00	CDI UNIT ASSEMBLY	1	
8	21V-21376-00-00	BAND, TOOL	1	
9	2K7-85547-00-00	DAMPER	1	