

YAMAHA

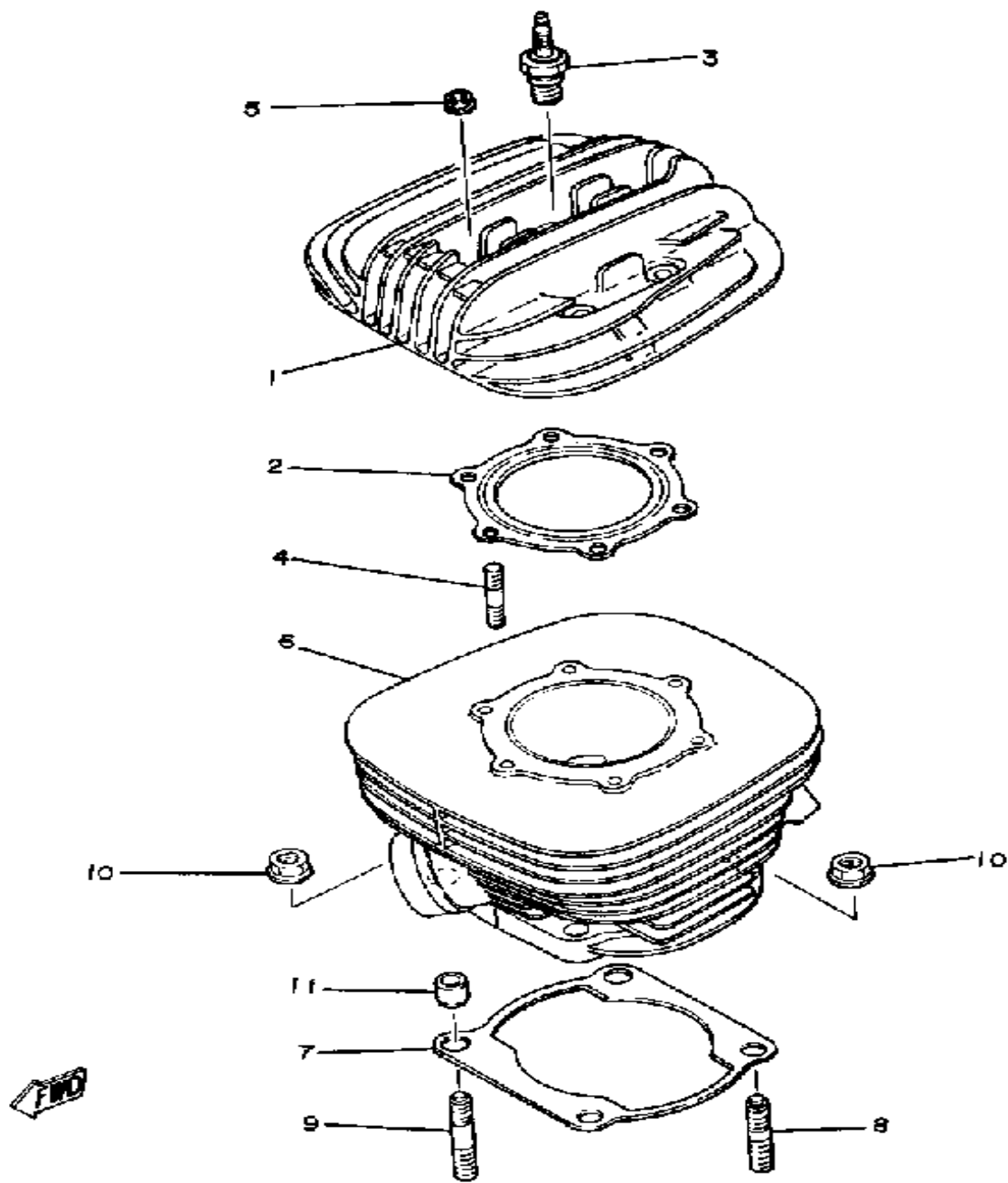
GENUINE

PARTS CATALOGUE

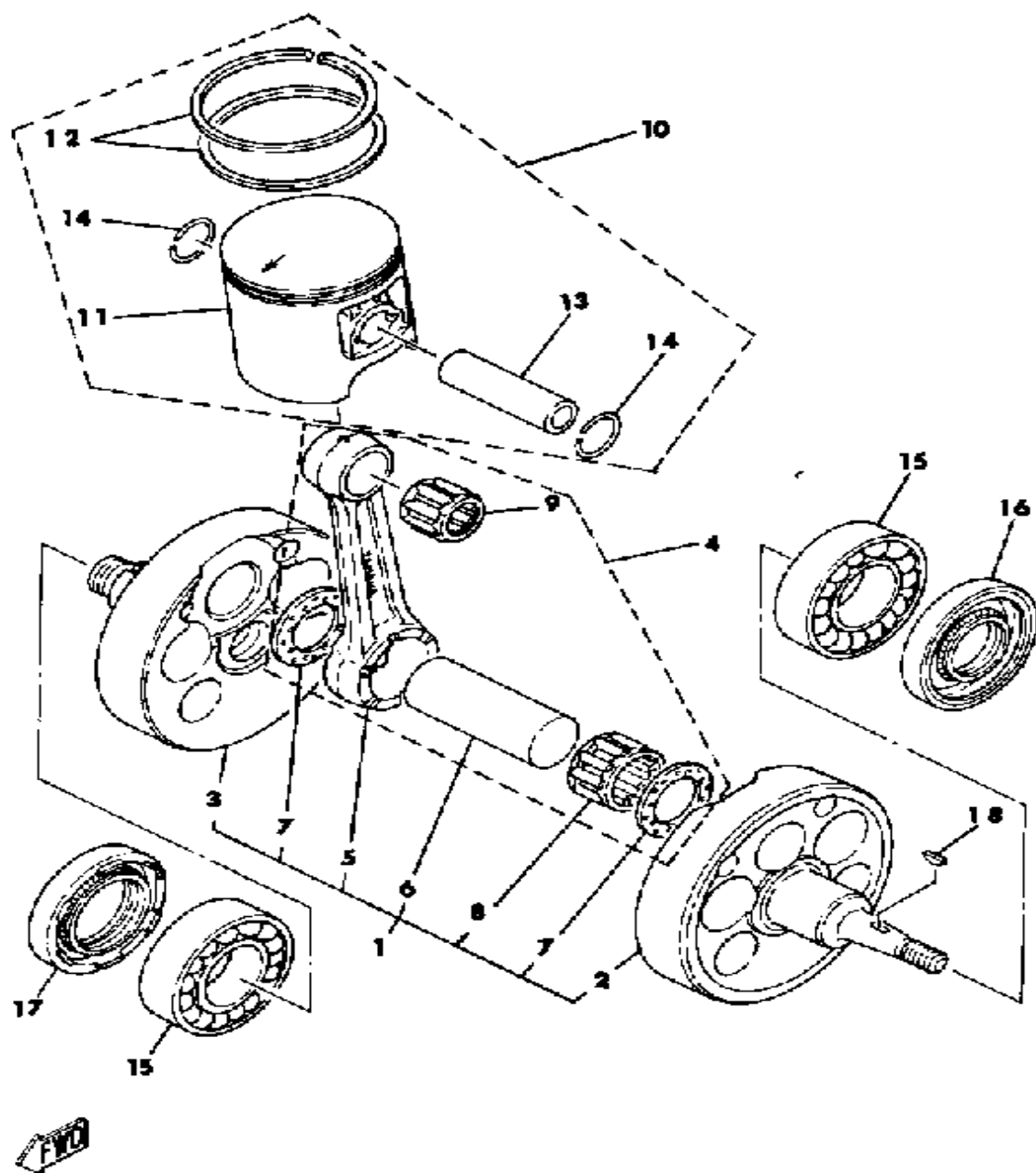
MOTORCYCLE

CYLINDER

Ref. No.	Part Number	Description	Qty	Remarks
1	(3R5-11111-00-00)	HEAD, CYLINDER 1	1	
2	3R5-11181-00-00	GASKET, CYLINDER HEAD 1 .	1	
3	NGK-B8ES0-00-00	NGK B8ES 10PK	1	
4	90116-08321-00	BOLT, STUD	6	
5	90179-08491-00	NUT, SPECL SHAPE	6	
6	(4V4-11311-00-00)	CYLINDER 1	1	
7	40T-11351-00-00	GASKET, CYLINDER	1	
8	90116-12315-00	BOLT, STUD	2	
9	90116-12316-00	BOLT, STUD	2	
10	95701-12500-00	NUT, FLANGE	4	
11	91810-17016-00	PIN, DOWEL	2	

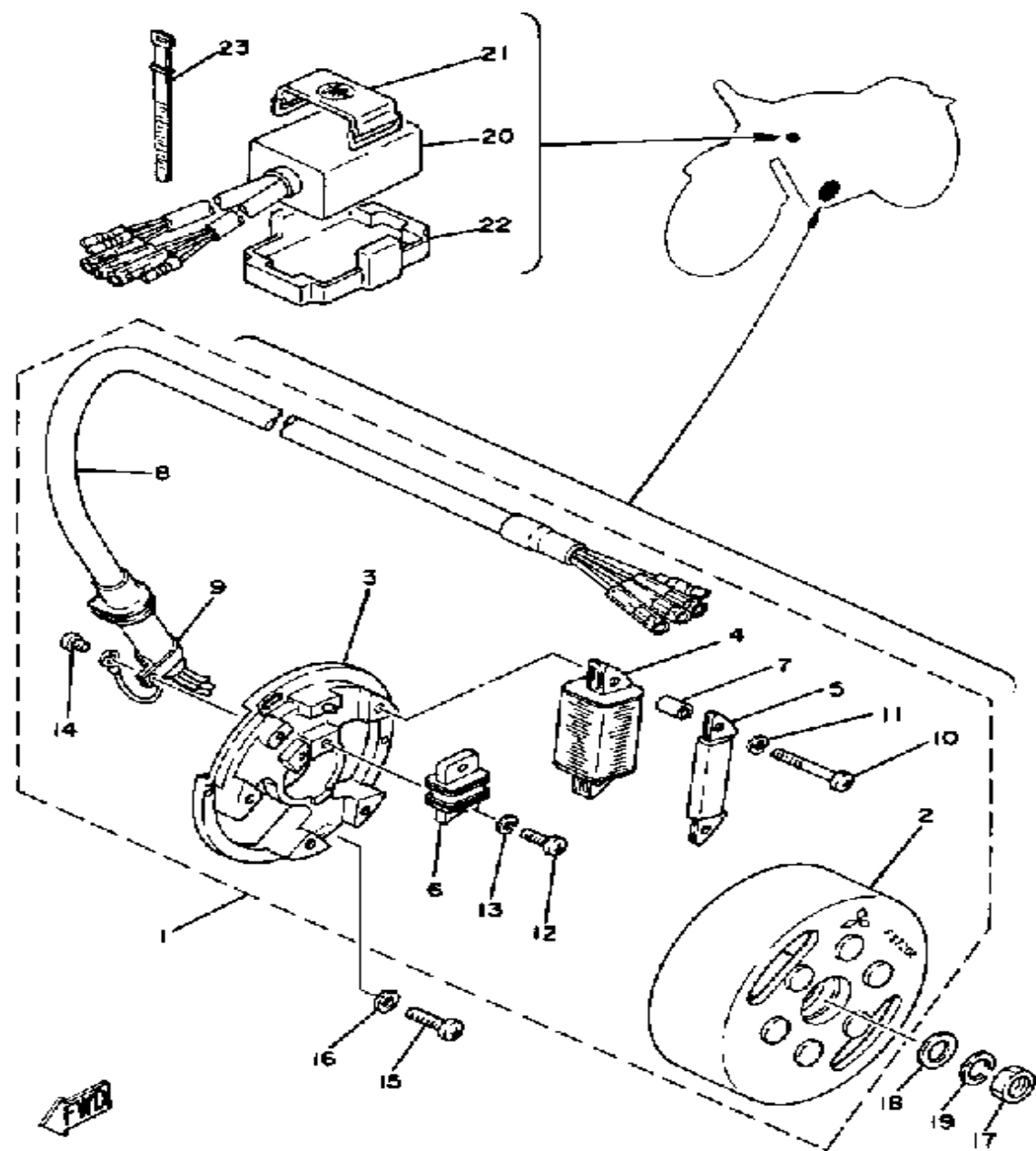


CRANKSHAFT - PISTON



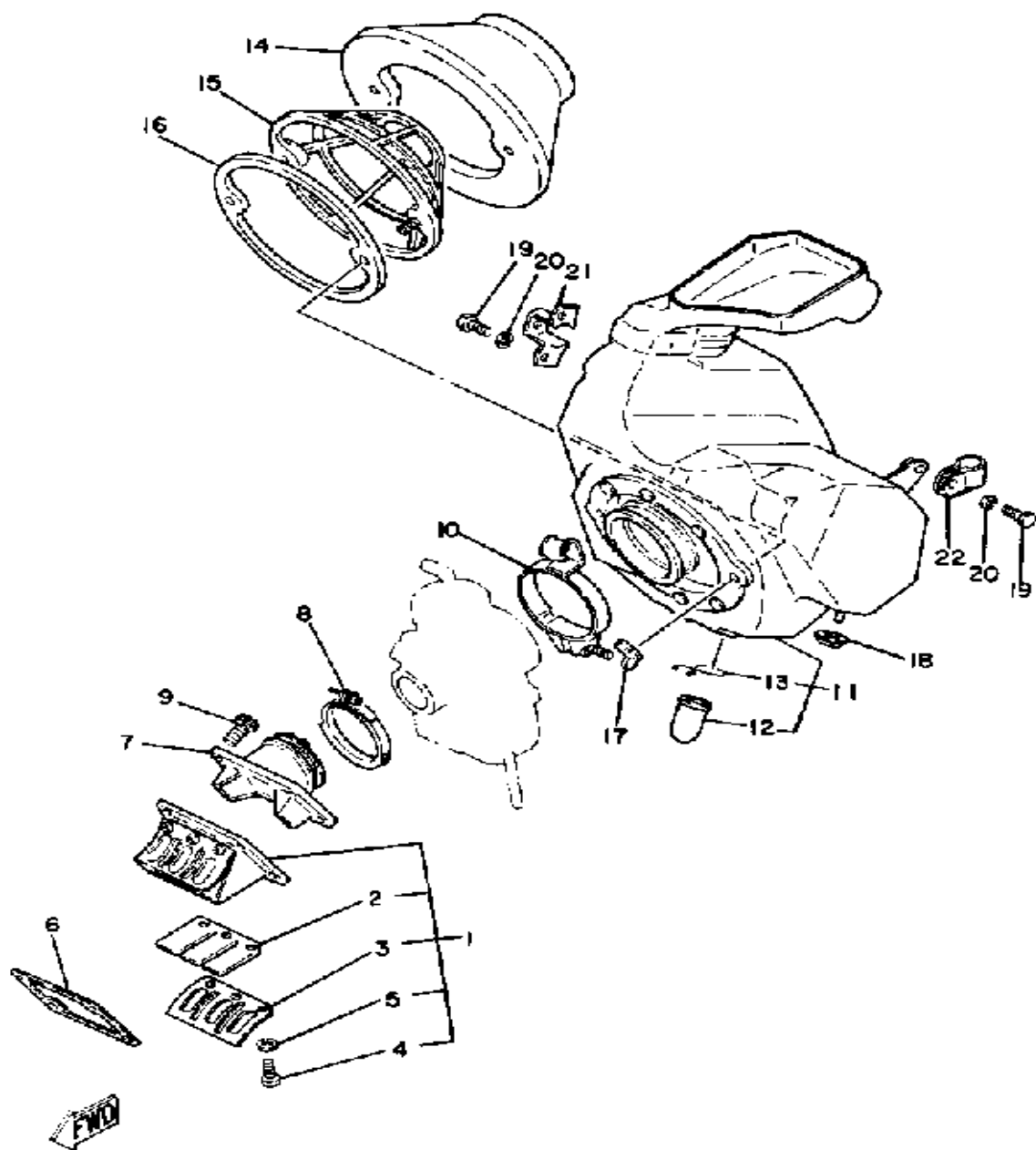
Ref. No.	Part Number	Description	Qty	Remarks
1	40T-11400-00-00	CRANKSHAFT ASSEMBLY (3R5-11400-00) (3R5-11400-00)	1	
2	3R5-11412-00-00	. CRANK 1	1	
3	3R5-11422-00-00	. CRANK 2	1	
4	3R5-11650-00-00	. CONNECTING ROD ASSEMBLY	1	ASSEMBLY
5	3R5-11651-00-00	.. ROD, CONNECTING	1	
6	3R8-11681-00-00	.. PIN, CRANK 1	1	
7	90209-25085-00	.. WASHER, (90209-25220) ...	2	
8	93310-425N4-00	.. BEARING, CYLINDRICAL ..	1	
9	93310-418E9-00	. BEARING, CYLINDRICAL ...	1	
10	4V4-11630-00-00	PISTON KIT STD	1	ASSEMBLY
11	(4V4-11631-00-93)	PISTON STD	1	
12	3R5-11601-00-00	. PISTON RINGSET STD	1	
13	275-11633-00-00	. PIN, PISTON	1	
14	93450-19052-00	. CIRCLIP, INNER	2	
15	93306-30615-00	BEARING (B6306)	2	
16	93103-30150-00	OIL SEAL (38W)	1	
17	93103-40091-00	OIL SEAL	1	
18	(4V4-11630-40-00)	PISTON KIT 4TH	1	ALTERNATE PARTS
	(4V4-11638-00-00)	PISTON 4 O/S 1.0	1	ALTERNATE PARTS
	3R5-11601-10-00	PISTON RINGSET 1ST	1	ALTERNATE PARTS
	3R5-11601-20-00	PISTON RINGSET 2ND	1	ALTERNATE PARTS
	3R5-11601-30-00	PISTON RINGSET 3RD	1	ALTERNATE PARTS
	3R5-11601-40-00	PISTON RINGSET 4TH	1	ALTERNATE PARTS
	4V4-11635-00-00	PISTON 1 O/S 0.5	1	ALTERNATE PARTS
	4V4-11636-00-00	PISTON 2 O/S 0.0	1	ALTERNATE PARTS
	4V4-11637-00-00	PISTON 3 O/S 0.5	1	ALTERNATE PARTS
	90280-03017-00	KEY, WOODRUFF	1	

C - D - I - MAGNETO



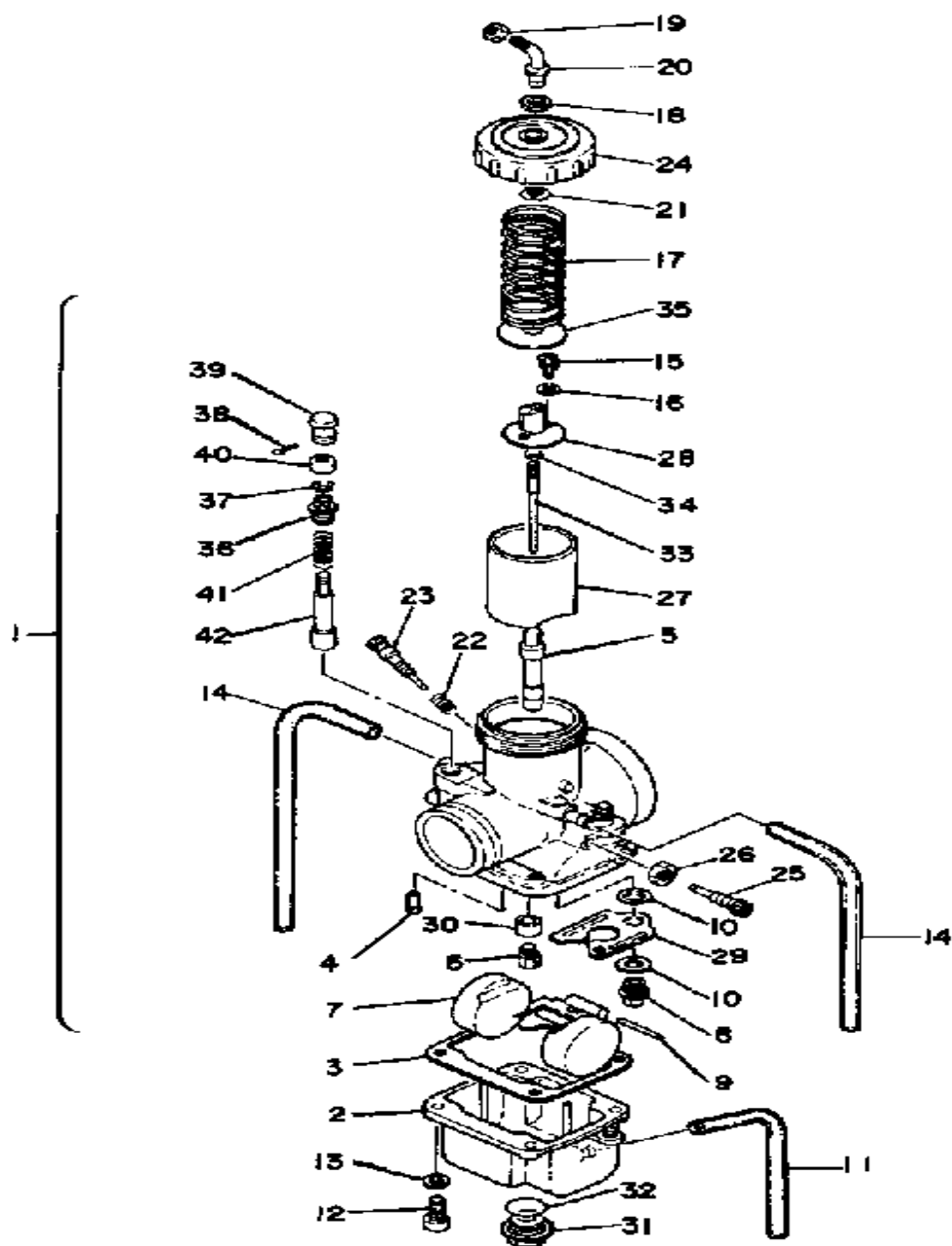
Ref. No.	Part Number	Description	Qty	Remarks
1	3R5-85500-20-00	CDI MAGNETO ASSEMBLY . . .	1	
2	3R5-85550-20-00	. ROTOR ASSEMBLY	1	
3	3R5-85509-20-00	. BASE, MAGNETO	1	
4	3R5-85511-20-00	. COIL SOURCE 1	1	
5	3R5-85512-20-00	. COIL SOURCE 2	1	
6	4V6-85580-20-00	. COIL, PULSER	1	
7	1W2-85516-20-00	. SPACER	2	
8	(5L5-85515-20-00)	LEAD WIRE ASSEMBLY	1	
9	104-81328-20-00	. CLAMP	1	
10	98501-04035-00	. SCREW, PAN HEAD	2	
11	92901-04100-00	. WASHER, SPRING	2	
12	98503-04014-00	. SCREW, PAN HEAD	1	
13	92901-04100-00	. WASHER, SPRING	1	
14	97601-04106-00	. SCREW, PN/HD.W/WSHR . . .	1	
15	98580-06020-00	SCREW, PAN HEAD	3	
16	92901-06600-00	WASHER	3	
17	90170-12347-00	NUT, HEXAGON	1	
18	90201-12593-00	WASHER, PLATE	1	
19	92901-12100-00	WASHER, SPRING	1	
20	3R5-85540-20-00	CDI UNIT ASSEMBLY	1	
21	116-82131-00-00	BAND, BATTERY	1	
22	3R5-85547-00-00	DAMPER	1	
23	25G-83936-01-00	BAND, SWITCH CORD	1	

INTAKE



Ref. No.	Part Number	Description	Qty	Remarks
1	3R5-13610-00-00	REED VALVE ASSEMBLY	1	
2	3R5-13613-00-00	. REED, VALVE	1	
3	2X5-13616-00-00	. STOPPER, REED VALVE	2	
4	98580-03008-00	. SCREW, PAN HEAD (98501-03008-00)	6	
5	92990-03100-00	. WASHER, SPRING	6	
6	80L-13621-01-00	GASKET, VALVE SEAT	1	
7	3R4-13565-00-00	JOINT, CARBURETOR	1	
8	90460-51109-00	CLAMP, HOSE	1	
9	91316-06020-00	BOLT	4	
10	90460-68231-00	CLAMP, HOSE	1	
11	(4V4-W1441-00-00)	AIR CLEANER CASE	1	
12	1W4-14457-00-00	. SEAL	1	
13	90467-20030-00	. CLIP	1	
14	3R4-W1442-01-00	ELEMENT, AIR CLNR	1	
15	3R4-14458-00-00	GUIDE, ELEMENT	1	
16	(4V4-14459-00-00)	HOLDER, GUIDE	1	
17	90175-06008-00	NUT, WING	2	
18	90480-13398-00	GROMMET	1	
19	97313-06016-00	BOLT	4	
20	92995-06100-00	WASHER, SPRING	4	
21	4V4-14484-00-00	PLATE, CLNR CS FTNG	1	
22	4V4-14499-00-00	STAY 2	1	

CARBURETOR

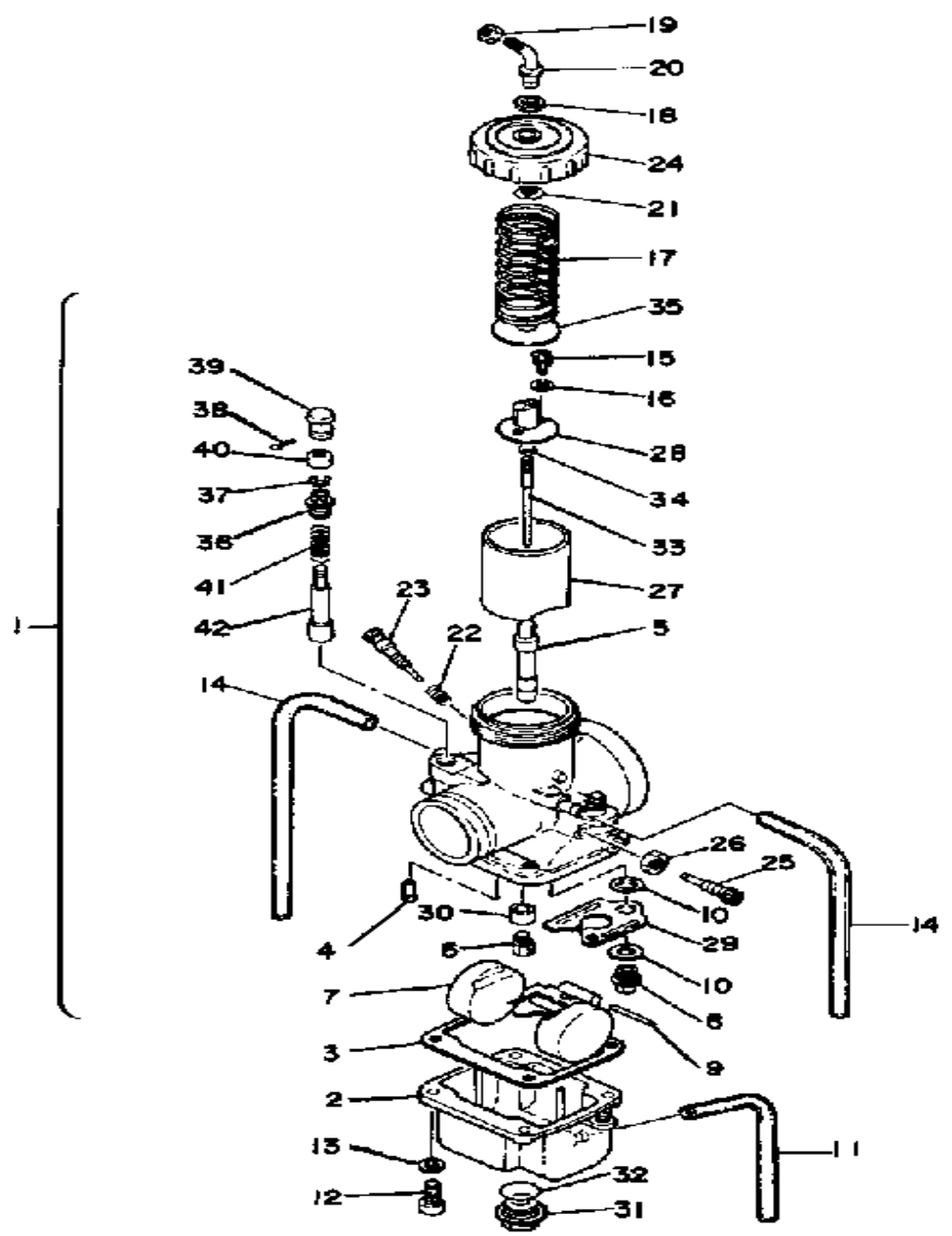


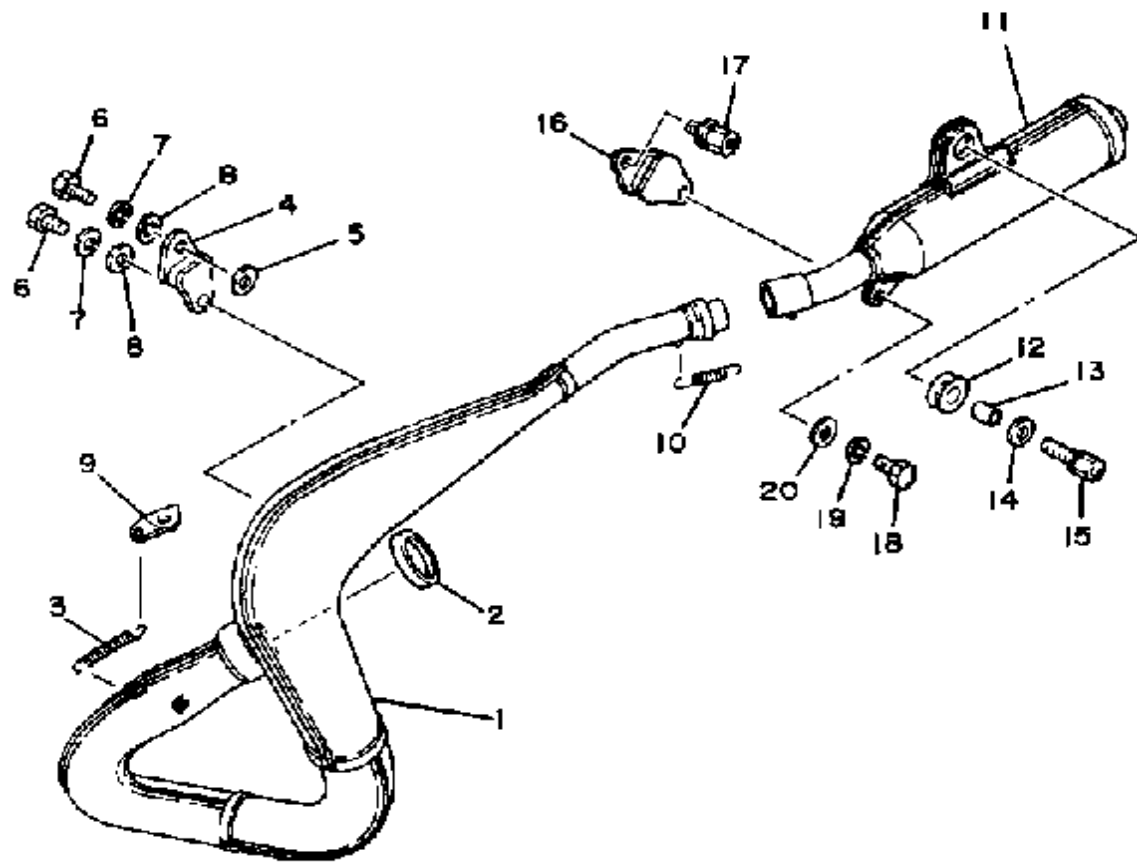
Ref. No.	Part Number	Description	Qty	Remarks
1	(4V4-14101-00-00)	CARBURETOR ASSEMBLY 1	1	
2	(3R4-14181-16-00)	BODY, FLOAT CHMBR 1	1	
3	363-14184-00-00	. GASKET, FLOA CHMBR	1	
4	193-14142-45-A1	. JET, PILOT (# 45)	1	
5	510-14141-52-00	. NOZZLE, MAIN	1	
6	137-14143-76-00	. JET, MAIN (380)	1	U.R.
	137-14143-78-00	. JET, MAIN (390)	1	U.R. STD
	137-14143-80-00	. JET, MAIN (400)	1	U.R.
7	2N7-14185-00-00	. FLOAT	1	
8	23X-14107-35-00	. NEEDLE VALVE SET	1	
9	537-14186-00-00	. PIN, FLOAT	1	
10	239-14195-00-00	. WASHER, NEEDLE VLV	2	
11	3Y3-14196-00-00	. PIPE, OVERFLOW	1	
12	98580-05016-00	. SCREW, PAN HEAD	4	
13	92990-05100-00	. WASHER, SPRING	4	
14	310-14197-00-00	. PIPE	2	
15	98580-03008-00	. SCREW, PAN HEAD (98501-03008-00)	2	
16	92902-03600-00	. WASHER	2	
17	363-14131-00-00	. SPRING, THROTTLE VALVE	1	
18	8F2-14147-00-00	. O-RING	1	
19	127-14161-00-00	. NUT, CABLE ADJUSTING	1	
20	26A-14106-00-00	. CBLE AJST SCRW SET	1	
21	363-14137-00-00	. CLIP	1	
22	127-14134-00-00	. SPRING, AIR ADJUSTING	1	
23	23X-14104-00-00	. AIR SCREW SET	1	
24	3R4-14158-00-00	. TOP, MIXING CHAMBR	1	
25	23X-14103-00-00	. THROTTLE SCREW SET	1	
26	802-14161-00-00	. NUT, CABLE ADJUSTING	1	

CONTINUED ON NEXT FRAME ►

CARBURETOR

Ref. No.	Part Number	Description	Qty	Remarks
27	510-14112-30-00	. VALVE, THROTTLE 1	1	
28	509-14274-00-00	. CONNECTOR	1	
29	3R4-14146-00-00	. PLATE	1	
30	2X8-14153-00-00	. WASHER, MAIN JET	1	
31	510-14115-00-00	. PLUG, SCREW	1	
32	558-14147-00-00	. O-RING	1	
33	239-14116-16-00	. NEEDLE	1	
34	164-14137-00-00	. CLIP	1	
35	509-14136-00-00	. SEAT, SPRING	1	
36	152-14174-00-00	. CAP, PLUNGER	1	
37	353-14138-00-00	. CLIP, PLUNGER	1	
38	91490-16020-00	. PIN, COTTER (91402-16015)	1	
39	737-14261-00-00	. HOLDER	1	
40	637-14173-00-00	. COVER, PLUNGER CAP	1	
41	156-14135-00-00	. SPRING, PLUNGER	1	
42	737-14171-01-00	. PLUNGER, STARTER	1	

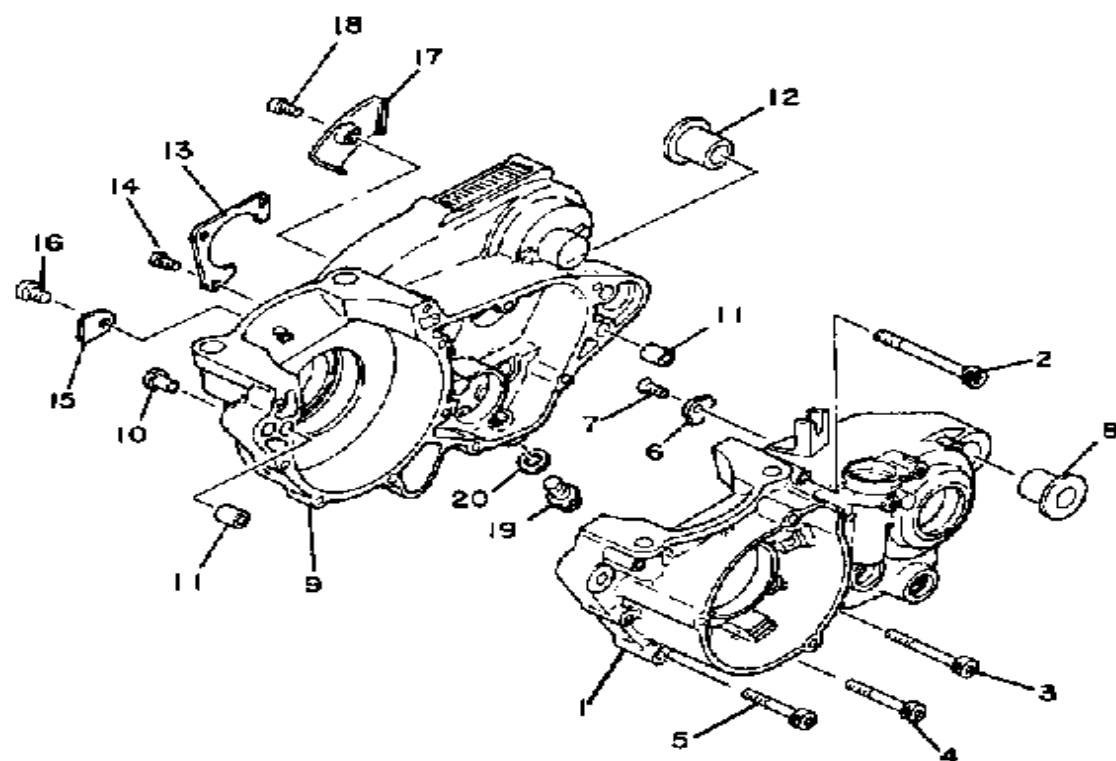
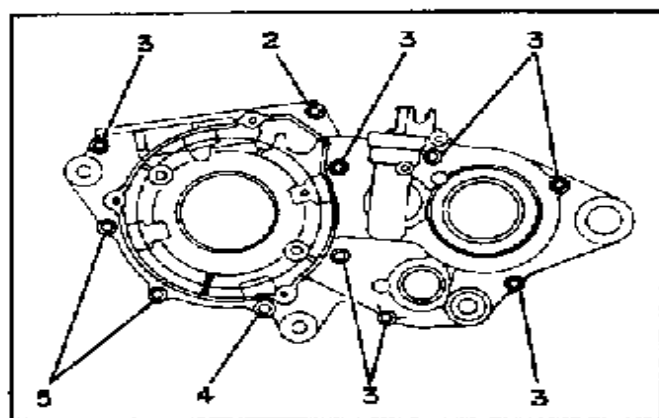




EXHAUST

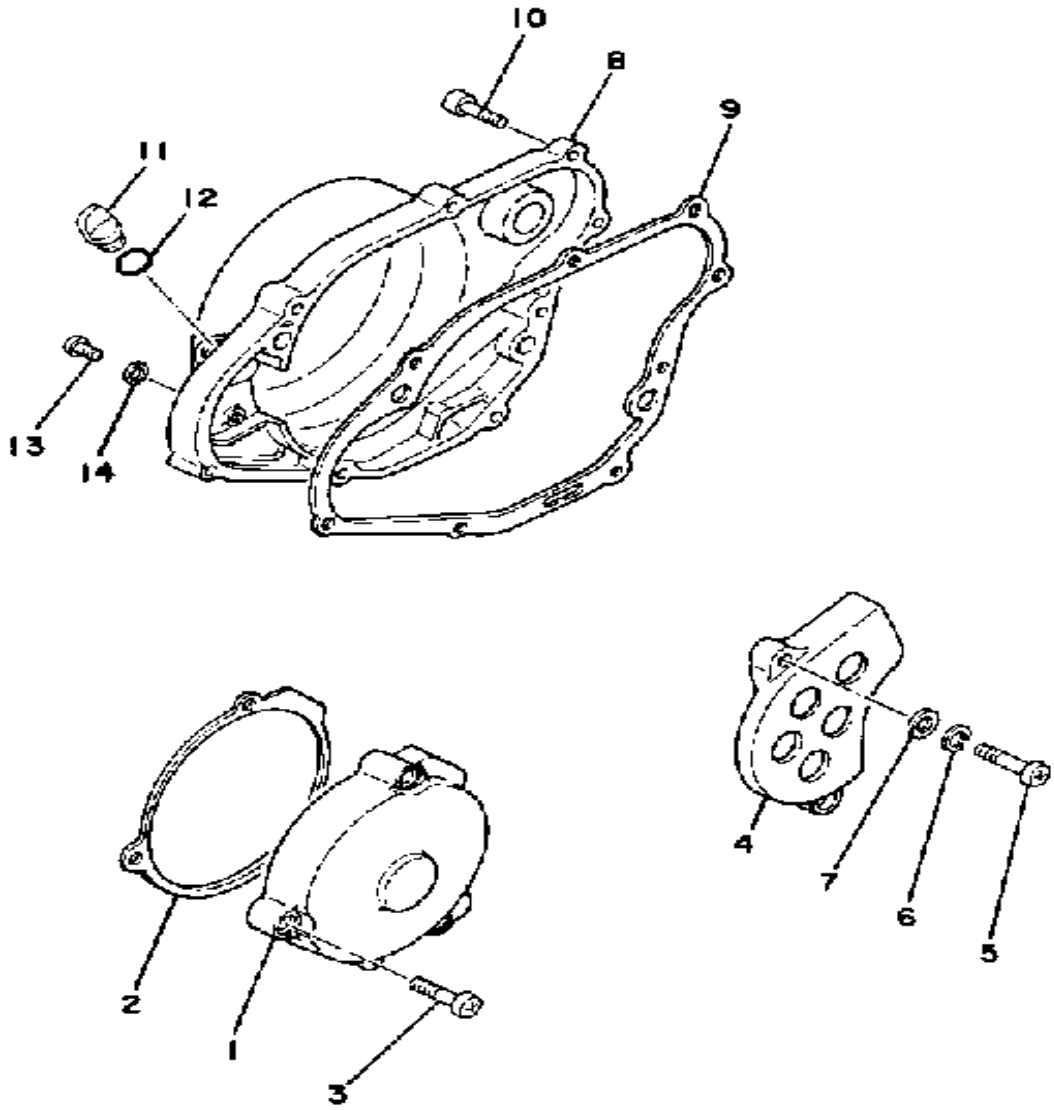
Ref. No.	Part Number	Description	Qty	Remarks
1	(4V4-14610-00-00)	EXHAUST PIPE ASSEMBLY L .	1	
2	3R4-14613-00-00	GASKET, EXST PIPE	1	
3	90507-20030-00	SPRING, TENSION	3	
4	3R4-14781-03-00	STAY, MUFFLER 2	1	
5	92990-08200-00	WASHER, PLAIN	1	
6	97313-08018-00	BOLT, HEXAGON	2	
7	92990-08100-00	WASHER, SPRING	2	
8	92901-08600-00	WASHER, PLATE	2	
9	3R5-14619-00-00	HOOK, SPRING	1	
10	90506-20223-00	SPRING, TENSION	1	
11	3R5-14753-00-00	SILENCER, EXHAUST	1	
12	565-14747-00-00	DAMPER, MUFFLER	1	
13	90387-08258-00	COLLAR	1	
14	90201-085E6-00	WASHER PLATE (156-24186-00)	1	
15	90109-08512-00	BOLT	1	
16	565-14771-00-00	STAY, MUFFLER 1	1	
17	90109-06551-00	BOLT	1	
18	97313-06016-00	BOLT	1	
19	92995-06100-00	WASHER, SPRING	1	
20	92901-06600-00	WASHER	1	

CRANKCASE



Ref. No.	Part Number	Description	Qty	Remarks
1	99999-01366-00	CRANKCASE SET (3R5)	1	
2	91316-06075-00	BOLT	1	
3	91316-06060-00	BOLT	7	
4	91316-06050-00	BOLT	1	
5	91316-06045-00	BOLT	2	
6	3AK-15383-01-00	PLATE, BRNG COVER (3R4-15383-00)	1	
7	98603-06012-00	SCREW, OVAL HEAD (92701-06012)	1	
8	90387-16776-00	COLLAR	1	
9	99999-01366-00	CRANKCASE SET (3R5)	1	
10	90338-07011-00	PLUG, SPEC'L SHAPE	1	
11	99510-12016-00	PIN, DOWEL	4	
12	90387-16776-00	COLLAR	1	
13	3R4-15381-00-00	PLATE, BRNG COVER	1	
14	98580-06012-00	SCREW, PAN HEAD (92501-06012-00)	3	
15	4V4-15118-00-00	HOLDER	1	
16	98580-06010-00	SCREW, PAN HEAD	1	
17	3R4-15113-00-00	PLATE	1	
18	98580-06012-00	SCREW, PAN HEAD (92501-06012-00)	1	
19	90340-12097-00	PLUG, STRAIGHT SCREW	1	
20	90430-12207-00	GASKET	1	

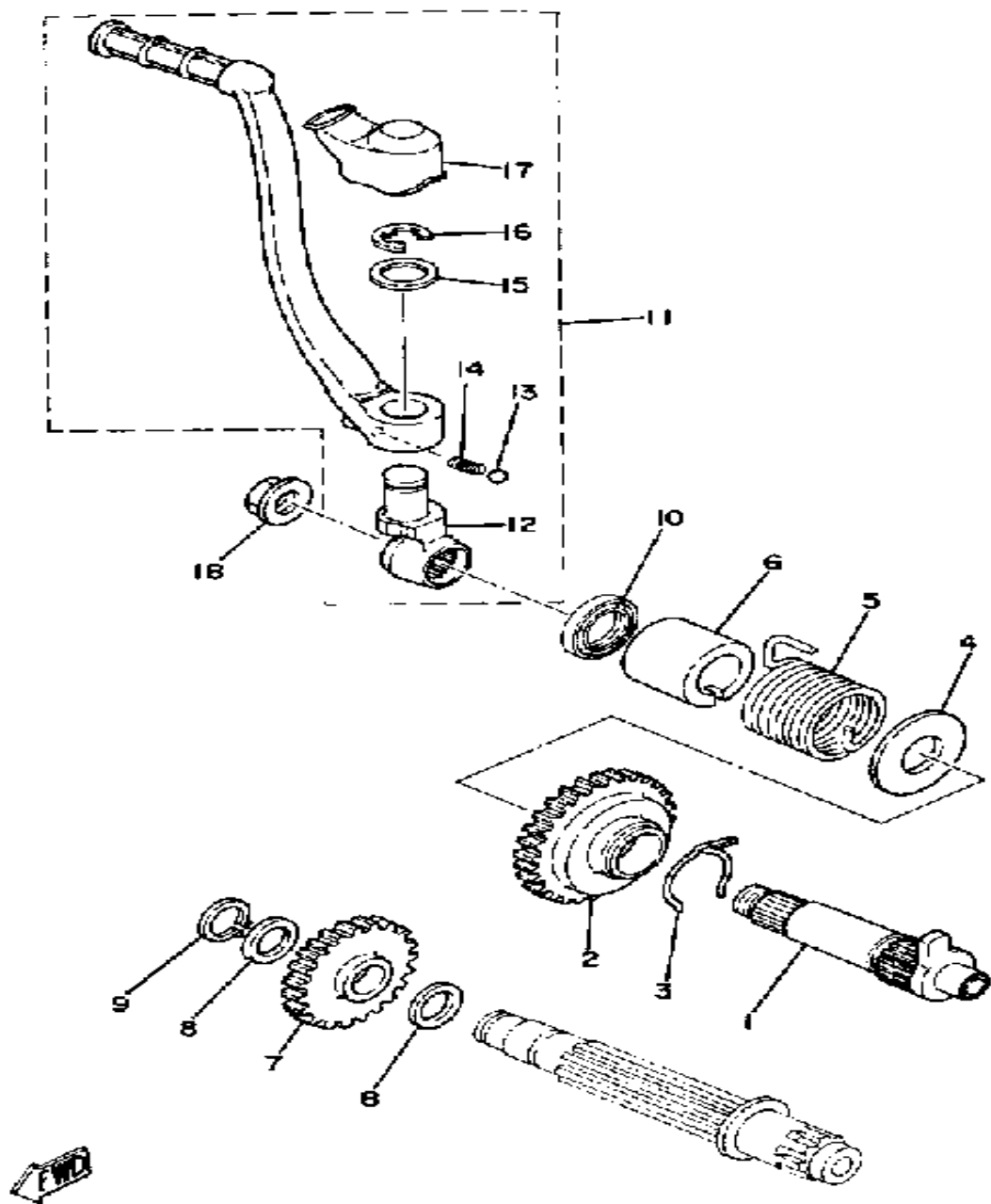
CRANKCASE COVER



Ref. No.	Part Number	Description	Qty	Remarks
1	3R5-15411-00-00	COVER, CRANKCASE 1	1	
2	4V4-15451-00-00	GASKET, CRANKCASE COVER	1	
3	98506-06035-00	SCREW, PAN HEAD	3	
4	3R4-15421-00-00	COVER, CRANKCASE R	1	
5	98506-06025-00	SCREW, PAN HEAD	1	
6	92906-06100-00	WASHER, SPRING	1	
7	92906-06600-00	WASHER	1	
8	3R4-15431-02-00	COVER, CRANKCASE 3	1	
9	3R4-15462-00-00	GASKET, CRANKCASE COVER 3	1	
10	91316-06025-00	BOLT	8	
11	1G8-15362-00-00	PLUG, OIL LEVEL	1	
12	93210-14104-00	O-RING	1	
13	98506-06008-00	SCREW, PAN HEAD	1	
14	90430-06016-00	GASKET	1	

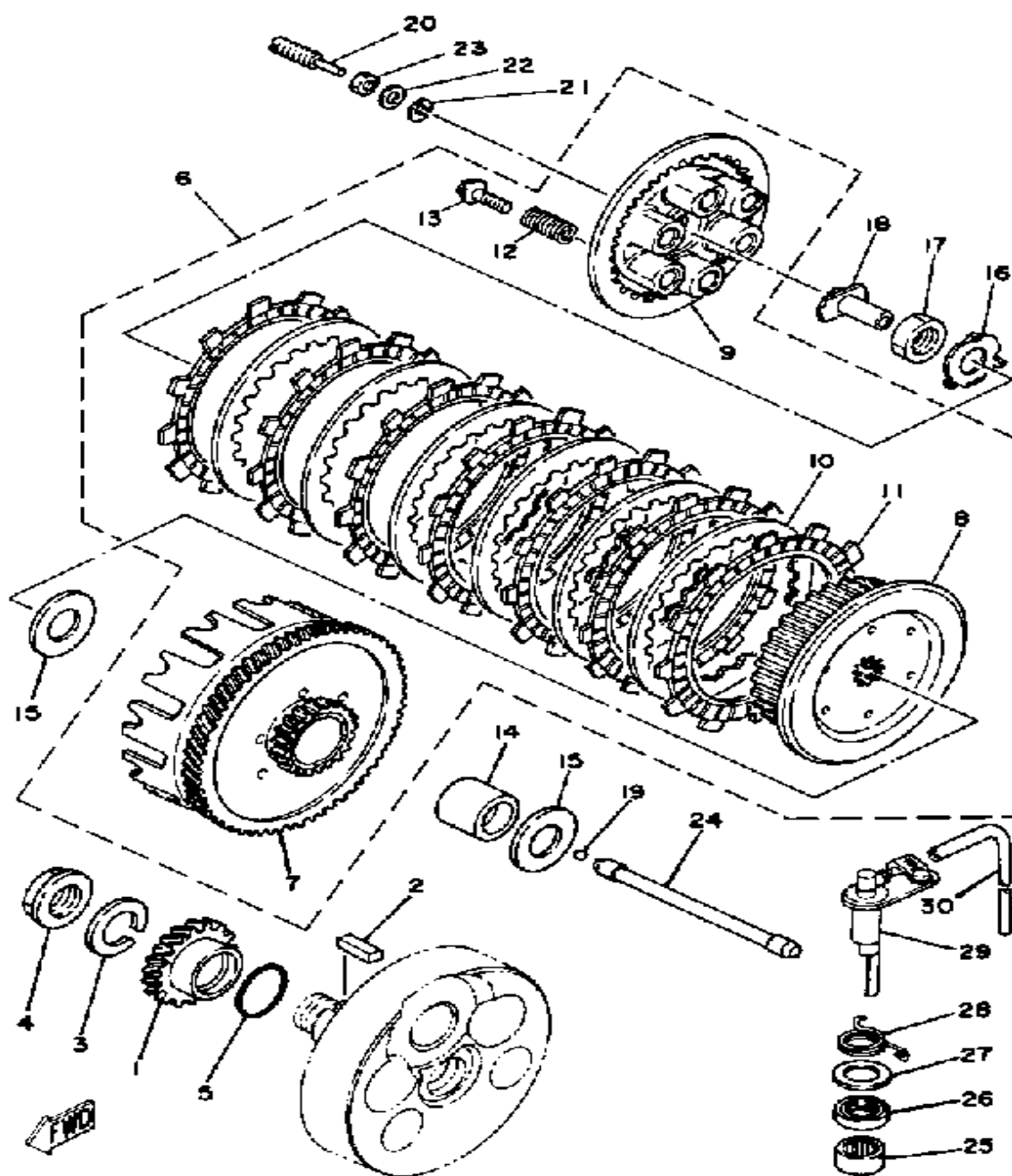


KICK - STARTER



Ref. No.	Part Number	Description	Qty	Remarks
1	56A-15661-01-00	AXLE, KICK	1	
2	3R4-15641-00-00	GEAR, KICK	1	
3	90468-26048-00	CLIP	1	
4	90201-20358-00	WASHER, PLATE	1	
5	90508-30422-00	SPRING, TORSION	1	
6	3R4-15664-00-00	GUIDE, SPRING	1	
7	3R4-15651-00-00	GEAR, KICK IDLE	1	
8	90201-17545-00	WASHER, PLATE	2	
9	99009-17400-00	CIRCLIP	1	
10	93102-20309-00	OIL SEAL	1	
11	3R4-15620-00-00	KICK CRANK ASSEMBLY	1	
12	3R4-15621-01-00	. BOSS, KICK CRANK	1	
13	93507-32031-00	. BALL 7/ 2	1	
14	90501-12081-00	. SPRING, COMPRESSION	1	
15	90201-15234-00	. WASHER, PLATE	1	
16	99006-10600-00	. CIRCLIP	1	
17	2K7-15618-00-00	. COVER, KICK LEVER	1	
18	90179-12244-00	NUT, SPEC'L SHAPE	1	

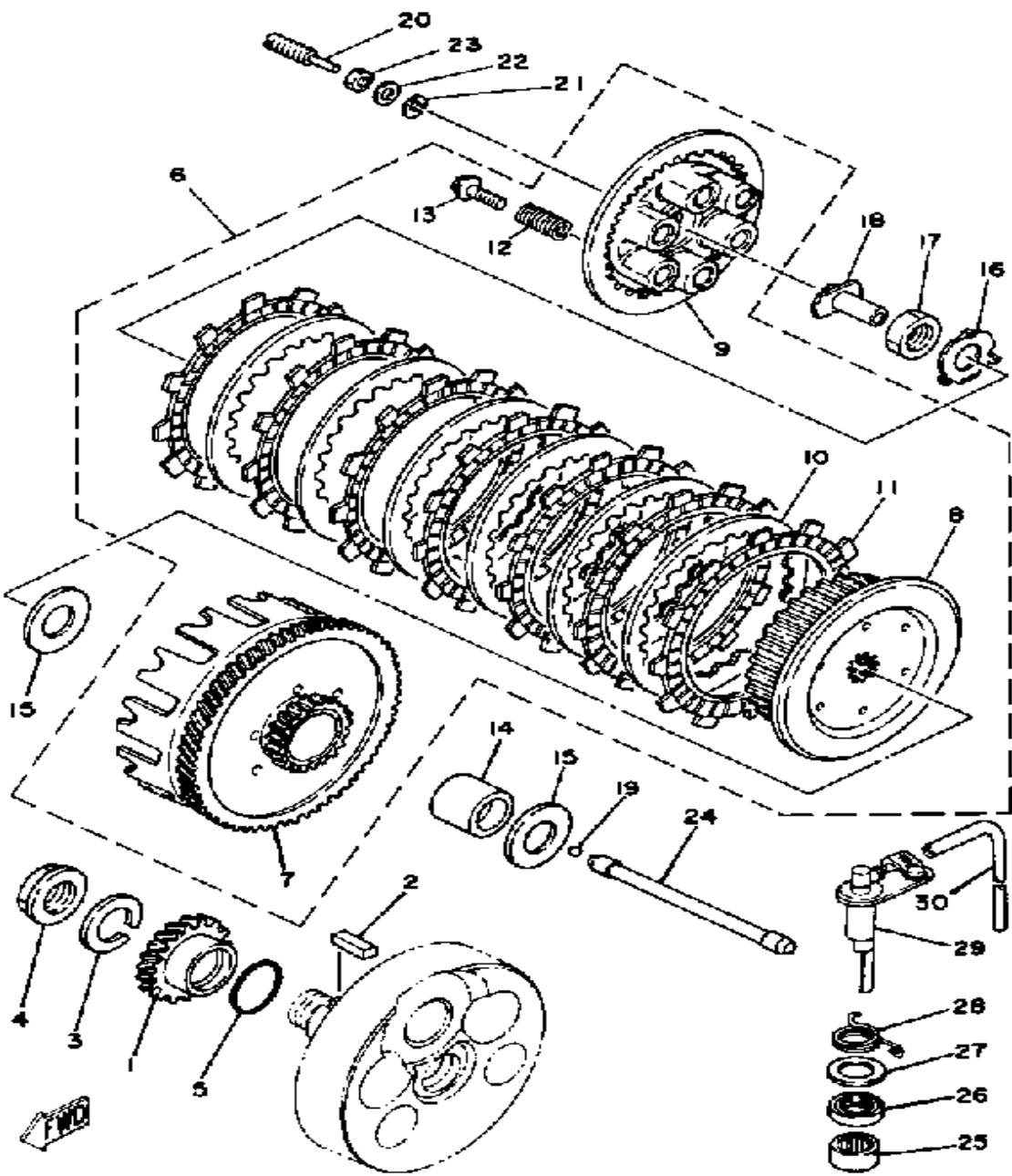
CLUTCH



Ref. No.	Part Number	Description	Qty	Remarks
1	3R5-16111-00-00	GEAR, PRI DRIVE	1	
2	90282-07019-00	KEY, STRAIGHT	1	
3	92901-18100-00	WASHER, SPRING	1	
4	90170-18089-00	NUT	1	
5	93210-29282-00	O-RING	1	
6	(3R5-16300-00-00)	CLUTCH ASSEMBLY	1	
7	3R4-16150-00-00	. PRI DRVN GEAR (63T)	1	
8	3R4-16371-00-00	. BOSS, CLUTCH	1	
9	1M1-16351-00-00	. PLATE, PRESSURE 1	1	
10	4H7-16325-00-00	. PLATE, CLUTCH 2	6	
11	4H7-16321-01-00	. PLATE, FRICTION	7	
12	90501-24408-00	. SPRING, COMPRESSION	6	
13	90159-06016-00	. SCREW, WITH WASHER	6	
14	2K7-16181-00-00	SPACER 1	1	
15	2K7-16154-00-00	PLATE, THRUST 1	2	
16	90215-20125-00	WASHER, LOCK	1	
17	90170-20255-00	NUT	1	
18	3R4-16356-00-00	ROD, PUSH 1	1	
19	93515-32029-00	BALL	1	
20	90149-08143-00	SCREW, SPEC'L SHAPE	1	
21	92990-08100-00	WASHER, SPRING	1	
22	90201-087H6-00	WASHER, PLATE	1	
23	95311-08700-00	NUT	1	
24	3R5-16357-01-00	ROD, PUSH 2 0 1	1	
25	93315-21721-00	BEARING, CYLINDRICAL	1	
26	93102-17004-00	OIL SEAL, SD-TYPE	1	
27	90201-17327-00	WASHER, PLATE	1	
28	90508-14423-00	SPRING, TORSION	1	
29	4V4-16380-00-00	PUSH LEVER ASSEMBLY	1	

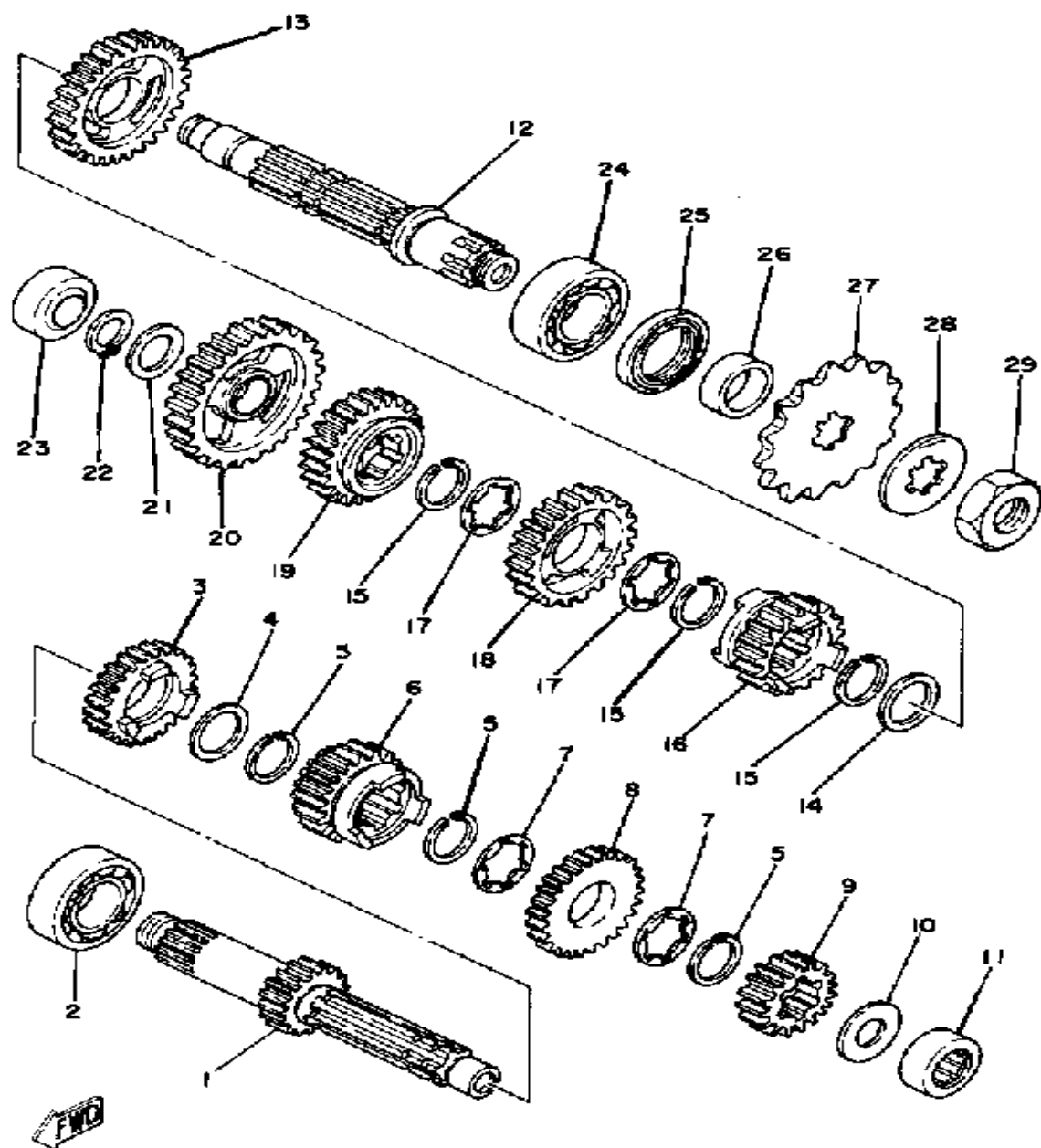
CONTINUED ON NEXT FRAME ►

CLUTCH



Ref. No.	Part Number	Description	Qty	Remarks
29	4V4-16380-01-00	PUSH LEVER ASSEMBLY (250H)	1	908~ SEE NOTE
30	(90445-08577-00)	HOSE 0 1	1	908~
	90445-08376-00	HOSE	1	

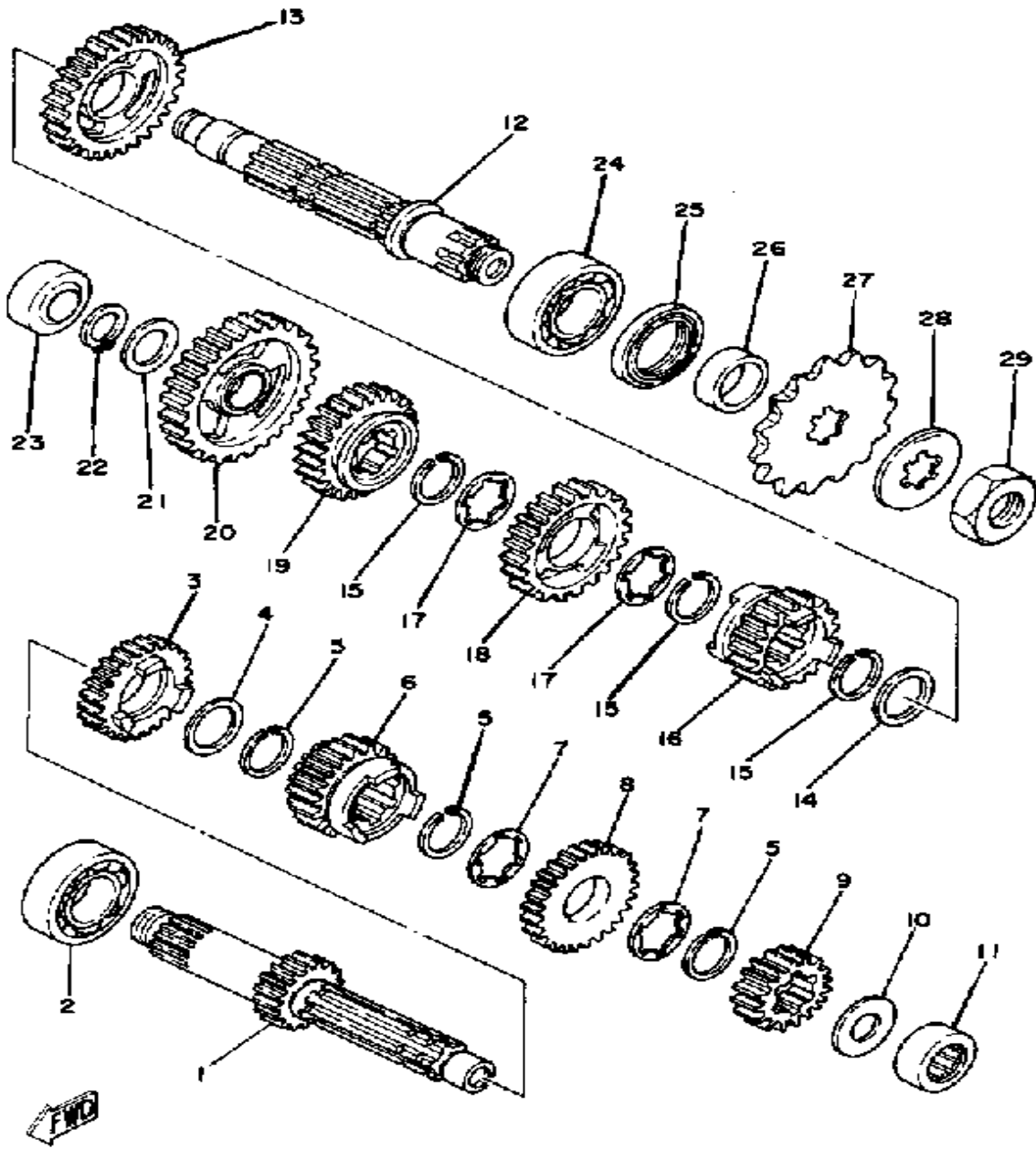
TRANSMISSION



Ref. No.	Part Number	Description	Qty	Remarks
1	3R5-17411-00-00	AXLE, MAIN	1	
2	93306-20540-00	BEARING	1	
3	3R5-17141-01-00	GEAR, 4TH PINION	1	
4	90201-253K0-00	WASHER, PLATE (T=1.0)	1	
5	93440-25084-00	CIRCLIP	3	
6	3R5-17131-02-00	GEAR, 3RD PINION	1	
7	90209-22082-00	WASHER (0.5T)	2	
8	3R5-17151-00-00	GEAR, 5TH PINION	1	
9	3R5-17121-01-00	GEAR, 2ND PINION	1	
10	90201-20278-00	WASHER, PLATE	1	
	90209-20213-00	WASHER, SPEC'L SHAP	1	908~
11	93311-62035-00	BEARING, CYLINDRICAL	1	
12	3R5-17421-00-00	AXLE, DRIVE	1	
13	3R5-17221-00-00	GEAR, 2ND WHEEL	1	
14	90201-253K0-00	WASHER, PLATE (T=1.0)	1	
15	93440-25084-00	CIRCLIP	3	
16	3R5-17251-01-00	GEAR, 5TH WHEEL	1	009~
17	90209-22082-00	WASHER (0.5T)	2	
18	3R5-17231-03-00	GEAR, 3RD WHEEL	1	
	3R5-17231-03-00	GEAR, 3RD WHEEL	1	875~ SEE NOTE
19	2X5-17241-01-00	GEAR, 4TH WHEEL	1	
20	3R5-17211-01-00	GEAR, 1ST WHEEL	1	
21	90201-20278-00	WASHER, PLATE	1	
22	93410-20038-00	CIRCLIP	1	
23	93311-62035-00	BEARING, CYLINDRICAL	1	
24	93306-20552-00	BEARING	1	
25	93102-32M07-00	OIL SEAL	1	
26	90387-25663-00	COLLAR	1	
27	93834-13030-00	SPROCKET, DRIVE 13T	1	ALTERNATE PART

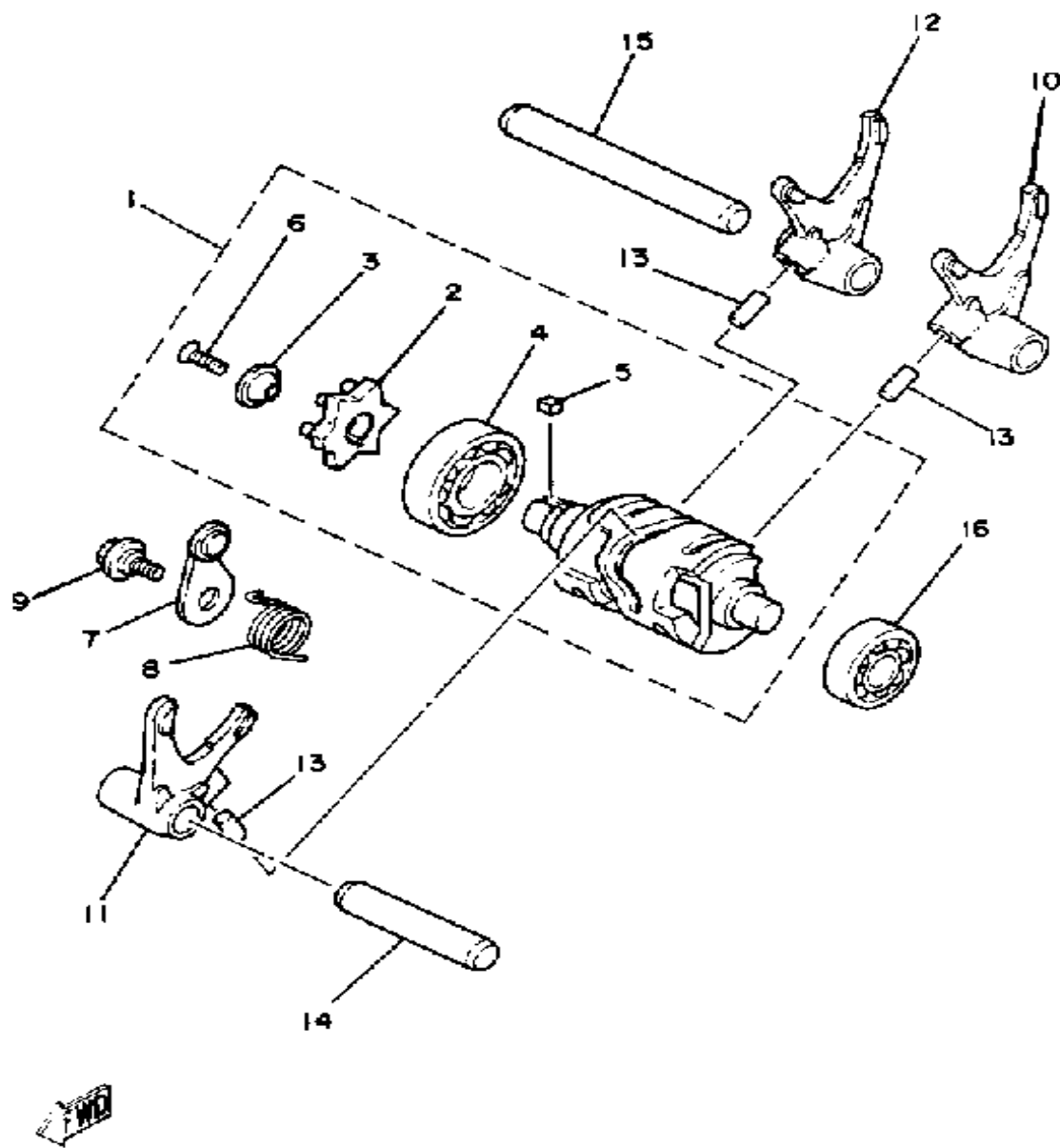
CONTINUED ON NEXT FRAME ►

TRANSMISSION



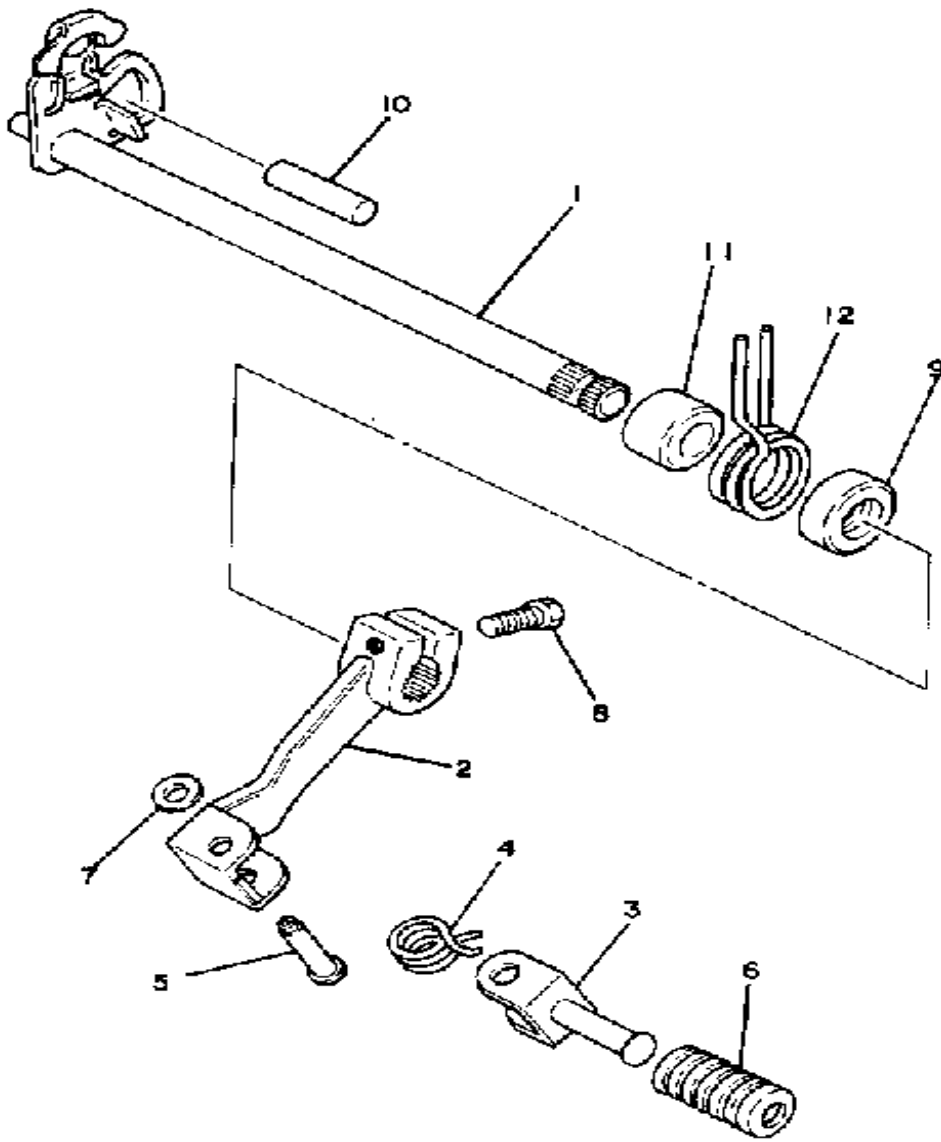
Ref. No.	Part Number	Description	Qty	Remarks
27	93834-14051-00	SPROCKET, DRIVE	1	U.R STD
	93834-15078-00	SPROCKET, DRIVE	1	ALTERNATE PART
28	90215-21239-00	WASHER, LOCK	1	
29	90179-20255-00	NUT	1	

SHIFT CAM - FORK



Ref. No.	Part Number	Description	Qty	Remarks
1	24Y-18540-00-00	SHIFT CAM ASSEMBLY	1	
2	3R4-18185-00-00	. SEGMENT	1	
3	3R4-18561-00-00	. PLATE, SIDE 1	1	
4	93306-00406-00	. BEARING (B6004Z)	1	
5	90282-04036-00	. KEY, STRAIGHT	1	
6	98701-05016-00	. SCREW, FLAT HEAD	1	
7	3R4-18140-00-00	STOPPER LEVER ASSEMBLY	1	
8	90508-26421-00	SPRING, TORSION	1	
9	50W-21631-00-00	BOLT 1	1	
10	3R5-18511-00-00	FORK, SHIFT 1 (250H)	1	
11	3R5-18512-00-00	FORK, SHIFT 2	1	
12	3R5-18513-00-00	FORK, SHIFT 3 (250G)	1	
13	93606-14154-00	PIN, DOWEL	3	
14	(4V4-18531-00-00)	BAR, SHIF FRK GDE 1	1	
15	4V4-18535-00-00	BAR, SHIF FRK GDE 2 (250H)	1	
16	93306-20110-00	BEARING	1	

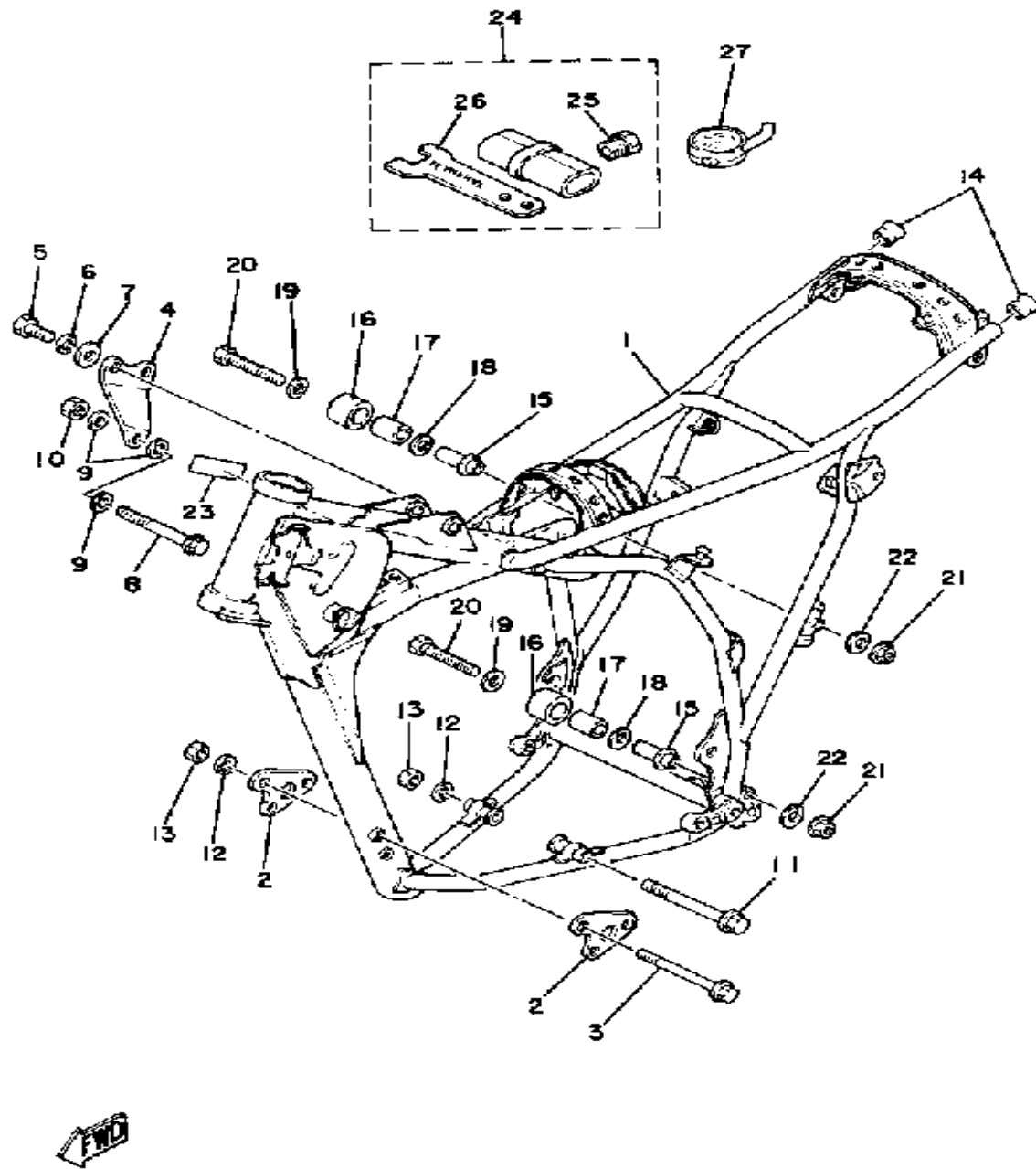
SHIFT SHAFT - PEDAL



Ref. No.	Part Number	Description	Qty	Remarks
1	23X-18101-01-00	SHIFT SHAFT ASSEMBLY 1 ..	1	
2	5X6-18110-00-00	PEDAL, SHIFT	1	
3	3R8-18162-00-00	PEDAL, SHIFT	1	
4	90508-20415-00	SPRING, TORSION	1	
5	90243-08019-00	PIN (90243-08017)	1	
6	1W6-18113-00-00	COVER, SHIFT PEDAL	1	
7	90201-06042-00	WASHER, PLATE	1	
8	97011-06020-00	BOLT	1	
9	93102-12321-00	OIL SEAL, SD-TYPE	1	
10	93608-25150-00	PIN, DOWEL	1	
11	90560-12171-00	SPACER	1	
12	90508-32374-00	SPRING, TORSION	1	

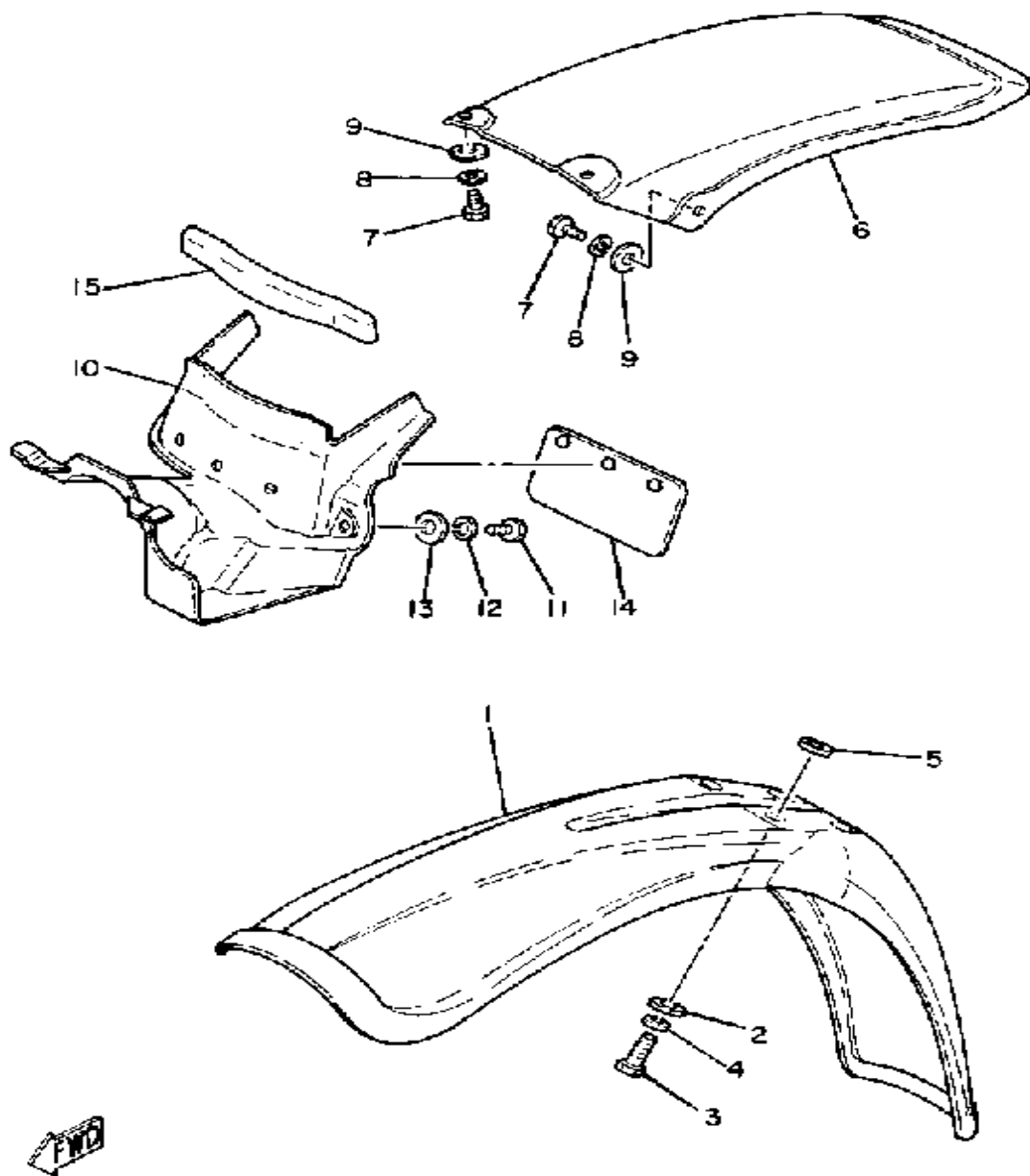


FRAME - TOOL



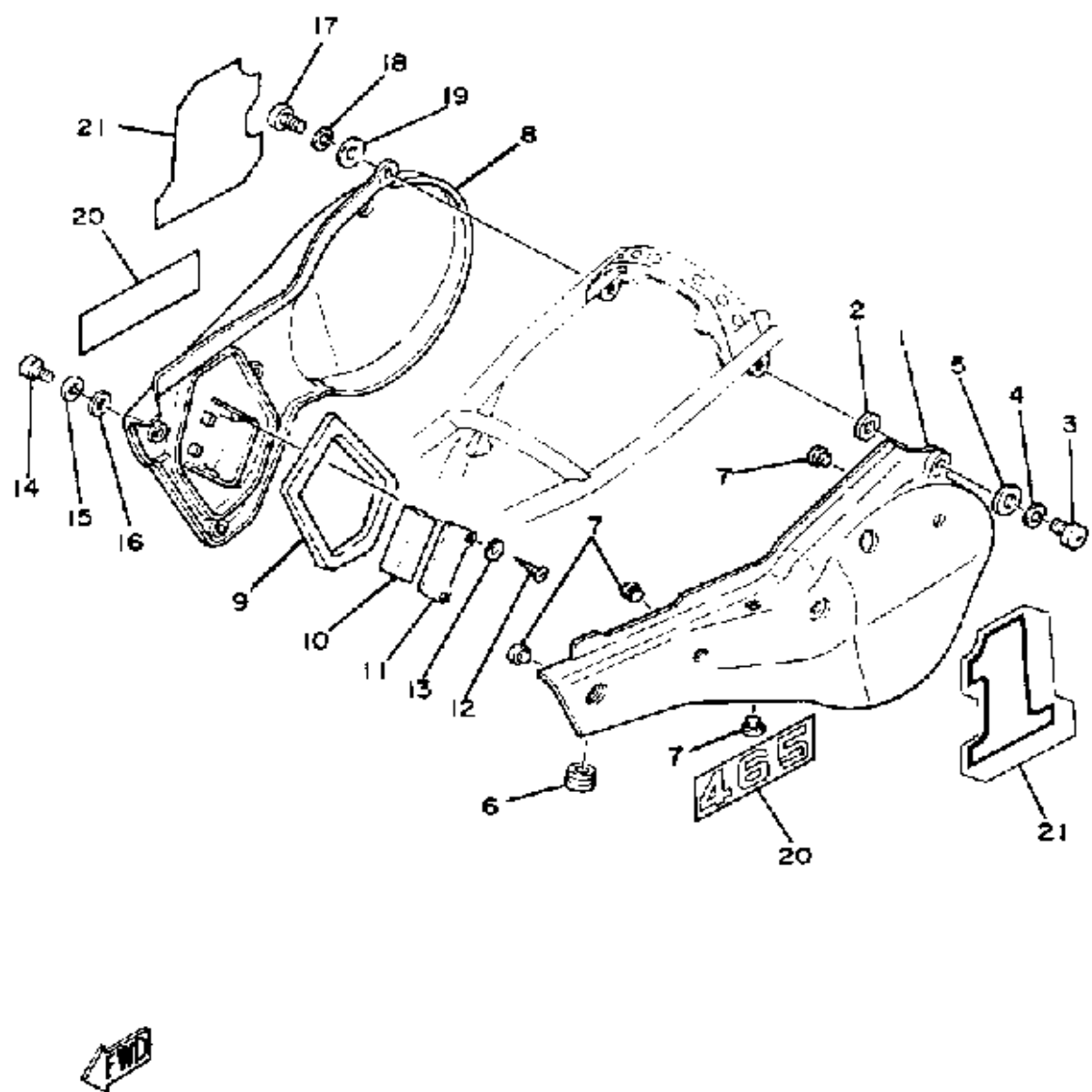
Ref. No.	Part Number	Description	Qty	Remarks
1	4V4-21425-00-00	BRACKET, REAR UPR 1	1	YAMAHA BLACK
2	3R4-21415-00-00	BRACKET, FRT UPR 1	2	
3	95811-08075-00	BOLT, FLANGE	3	
4	4V4-21425-00-00	BRACKET, REAR UPR 1	1	
5	97013-08025-00	BOLT	2	
6	92990-08100-00	WASHER, SPRING	2	
7	92901-08600-00	WASHER, PLATE	2	
8	95811-10055-00	BOLT, FLANGE	1	
9	92990-10200-00	WASHER, PLAIN	3	
10	95601-10100-00	NUT, U (95602-10100-00)	1	
11	95811-08165-00	BOLT, FLANGE	1	
12	92990-08200-00	WASHER, PLAIN	4	
13	90185-08089-00	NUT, SELF-LOCKING	4	
14	90339-13005-00	PLUG	2	
15	2K7-2148A-00-00	SHAFT	2	
16	30X-22178-00-00	TENSIONER	2	
17	4V4-22184-00-00	BUSH	2	
18	90201-13202-00	WASHER, PLATE	2	
19	90201-08753-00	WASHER, PLATE	2	
20	97313-08055-00	BOLT, HEXAGON	2	
21	95712-08300-00	NUT, FLANGE	2	
22	90201-08638-00	WASHER, PLATE	2	
23	(3R4-2139W-00-00)	COVER	1	
24	(5X5-28100-00-00)	TOOL KIT	1	
25	(2K7-85555-00-00)	PULLER, ROTOR	1	
26	10V-28135-00-00	. SPANNER, SPECIAL	1	
27	2X4-2811A-01-00	GAUGE, AIR	1	

FRONT FENDER - REAR FENDER



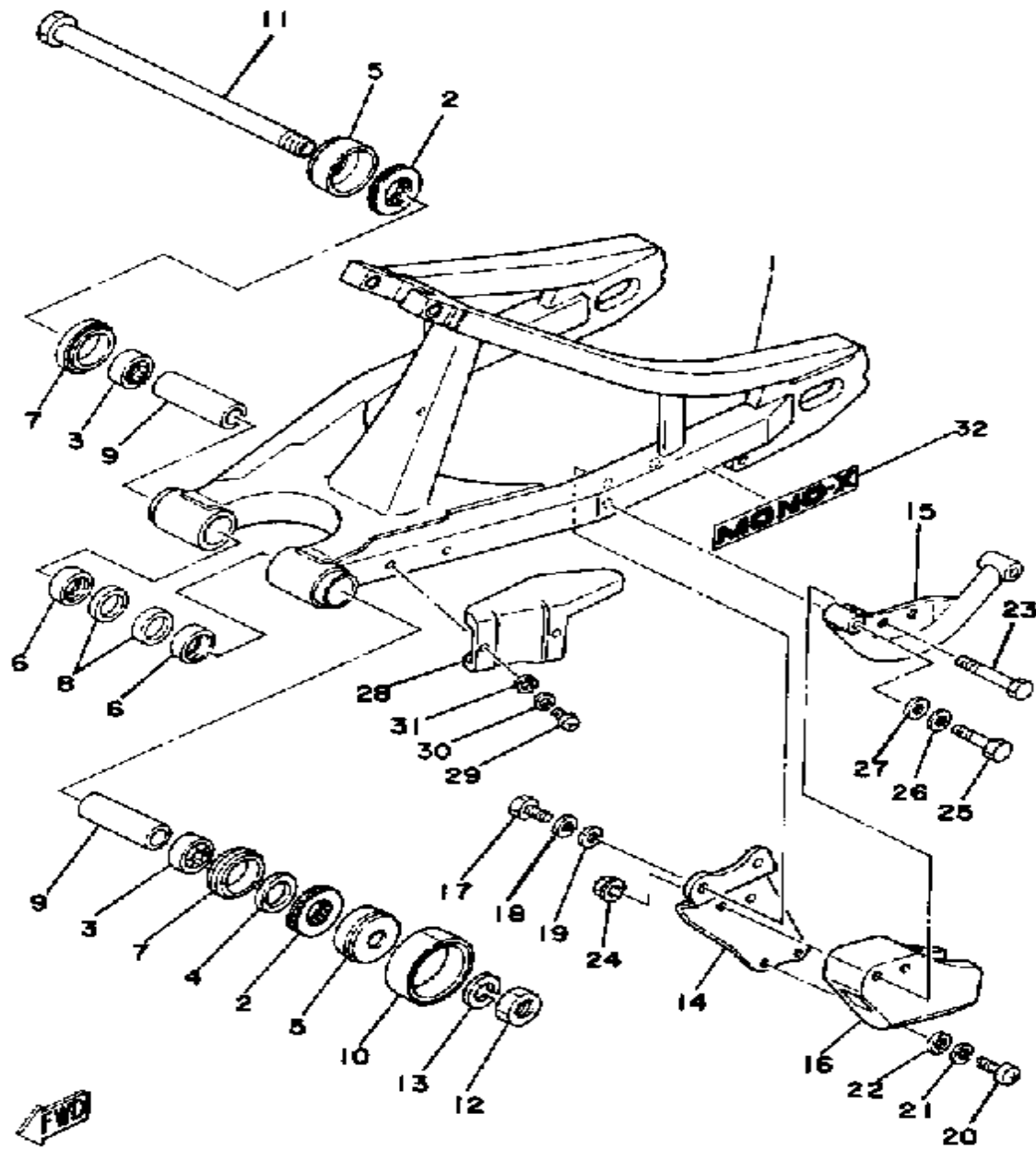
Ref. No.	Part Number	Description	Qty	Remarks
1	3R2-21511-01-00	FENDER, FRONT	1	COMP. YELLOW
2	90201-06067-00	WASHER, PLATE	4	
3	97023-06020-00	BOLT (3XF) (97302-06020)	4	
4	92995-06100-00	WASHER, SPRING	4	
5	90209-06187-00	WASHER	4	
6	3R4-21611-00-00	FENDER, REAR	1	COMP. YELLOW
7	97313-06016-00	BOLT	4	
8	92995-06100-00	WASHER, SPRING	4	
9	90201-06067-00	WASHER, PLATE	4	
10	3R4-21629-00-00	GUARD, MUD	1	
11	97313-06016-00	BOLT	2	
12	92995-06100-00	WASHER, SPRING	2	
13	90201-06067-00	WASHER, PLATE	2	
14	1M1-21621-00-00	FLAP	1	
15	565-21746-00-00	DAMPER	1	

SIDE COVER



Ref. No.	Part Number	Description	Qty	Remarks
1	3R4-21711-00-98	COVER, SIDE 1 (L.H.)	1	LOW GLOSS BLK/YELLOW
2	92990-08200-00	WASHER, PLAIN	2	
3	98503-06014-00	SCREW, PAN HEAD (92501-06015)	2	
4	92995-06100-00	WASHER, SPRING	2	
5	90201-06571-00	WASHER, PLATE	2	
6	90480-12053-00	GROMMET	1	
7	22W-24181-00-00	DAMPER, LOCATING 1	4	
8	(3R4-21721-01-98)	COVER, SIDE 2	1	LOW GLOSS BLK/YELLOW
9	4V4-21746-00-00	DAMPER (250H)	1	
10	3R4-21732-00-00	SEAL 1	1	
11	3R4-2172A-00-00	PANEL 1	1	
12	97780-40112-00	SCREW, TAPPING	2	
13	92990-04200-00	WASHER, PLAIN	2	
14	98580-06012-00	SCREW, PAN HEAD (92501-06012-00)	2	
15	92995-06100-00	WASHER, SPRING	2	
16	92990-06200-00	WASHER, PLAIN	3	
17	98503-06014-00	SCREW, PAN HEAD (92501-06015)	2	
18	92995-06100-00	WASHER, SPRING	2	
19	90201-06571-00	WASHER, PLATE	1	
20	(3R5-21737-10-00)	EMBLEM	2	
21	3R2-21782-00-00	EMBLEM 2	2	

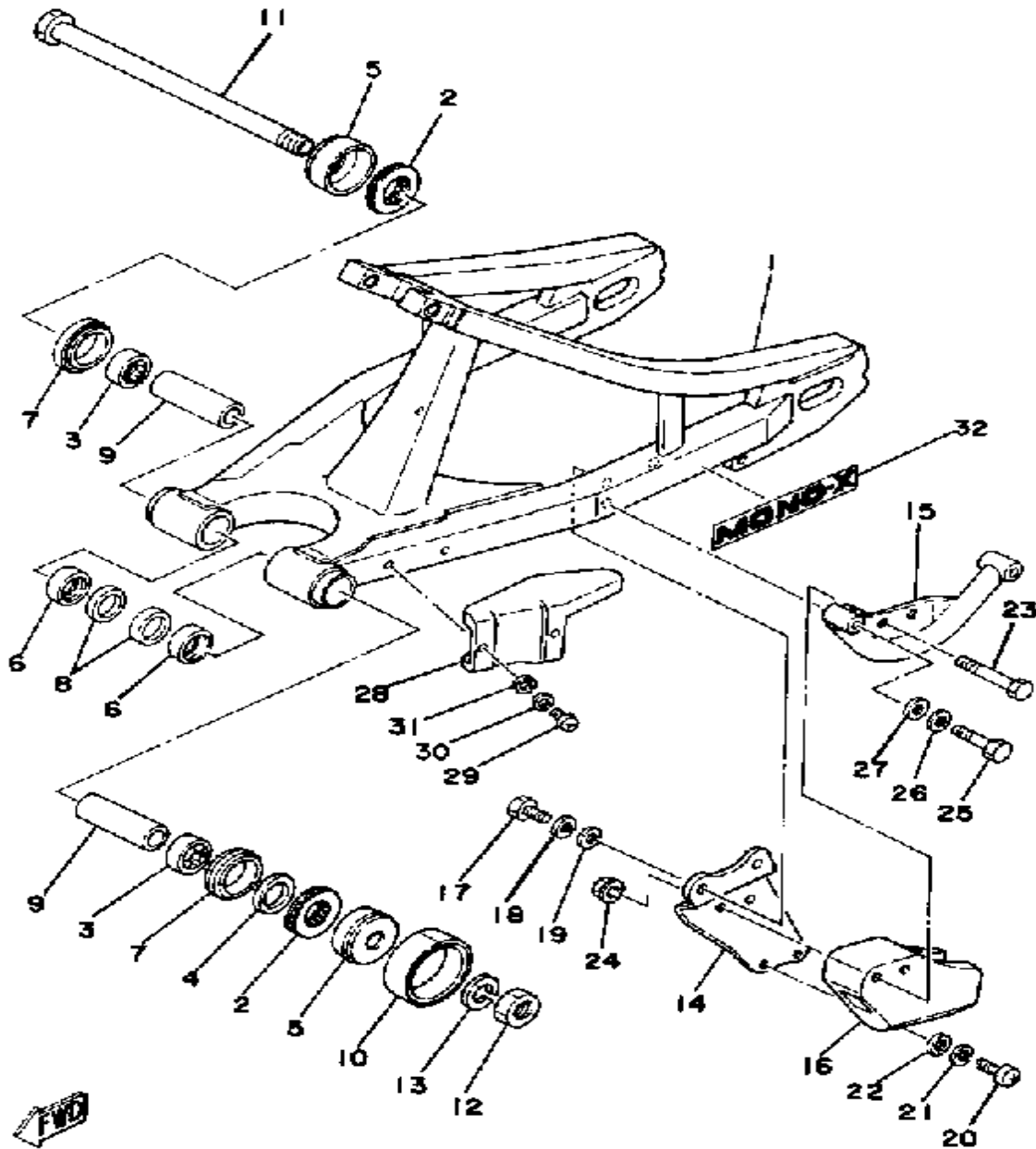
REAR ARM



Ref. No.	Part Number	Description	Qty	Remarks
1	(4V4-22110-00-35)	REAR ARM	1	SILVER
2	93342-22208-00	BEARING	2	
3	93317-22214-00	BEARING, CYLINDER.# 7	2	
4	648-45533-00-03	SHIM	1	U.N.
5	3R4-22129-00-00	COVER, THRUST 2	2	
6	90386-22097-00	BUSH, SPEC'L NYLON	2	
7	93108-35004-00	OIL SEAL (35-41-8)	2	
8	93109-22018-00	OIL SEAL, SDO-TYPE	2	
9	90380-16077-00	BUSH, SOLID	2	
10	431-22151-03-00	SEAL, GUARD	1	
11	3R4-22141-00-00	SHAFT, PIVOT	1	
12	90170-16111-00	NUT	1	
13	92901-16100-00	WASHER, SPRING	1	
14	2X4-22179-00-00	ARM, TENSIONER	1	
15	3R5-22153-00-00	GUARD, CHAIN	1	
16	2X4-22199-00-00	SUPPORT, CHAIN	1	
17	97313-08018-00	BOLT, HEXAGON	2	
18	92990-08100-00	WASHER, SPRING	2	
19	92901-08600-00	WASHER, PLATE	2	
20	98580-06020-00	SCREW, PAN HEAD	2	
21	92995-06100-00	WASHER, SPRING	2	
22	92901-06600-00	WASHER	2	
23	97313-06050-00	BOLT	2	
24	95701-06300-00	NUT, NYLON	2	
25	97313-08035-00	BOLT, HEXAGON	2	
26	92990-08100-00	WASHER, SPRING	2	
27	92901-08600-00	WASHER, PLATE	2	
28	3R4-22147-00-00	PROTECTOR, CHAIN	1	
29	98580-05010-00	SCREW, PAN HEAD	2	

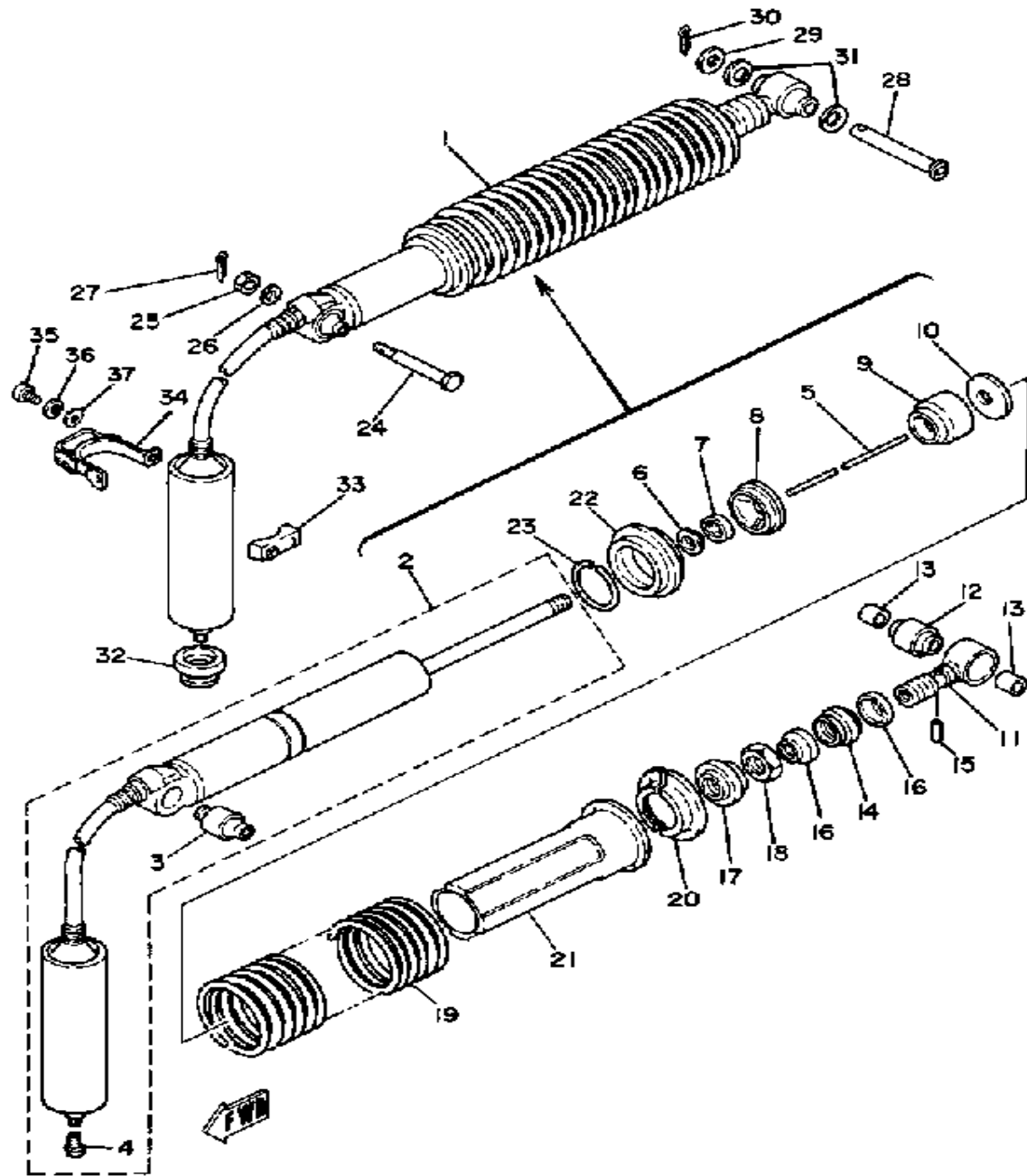
CONTINUED ON NEXT FRAME ►

REAR ARM



Ref. No.	Part Number	Description	Qty	Remarks
30	92990-05100-00	WASHER, SPRING	2	
31	92990-05200-00	WASHER, PLAIN	2	
32	4V4-2218A-00-00	REFLECTOR (250H)	2	

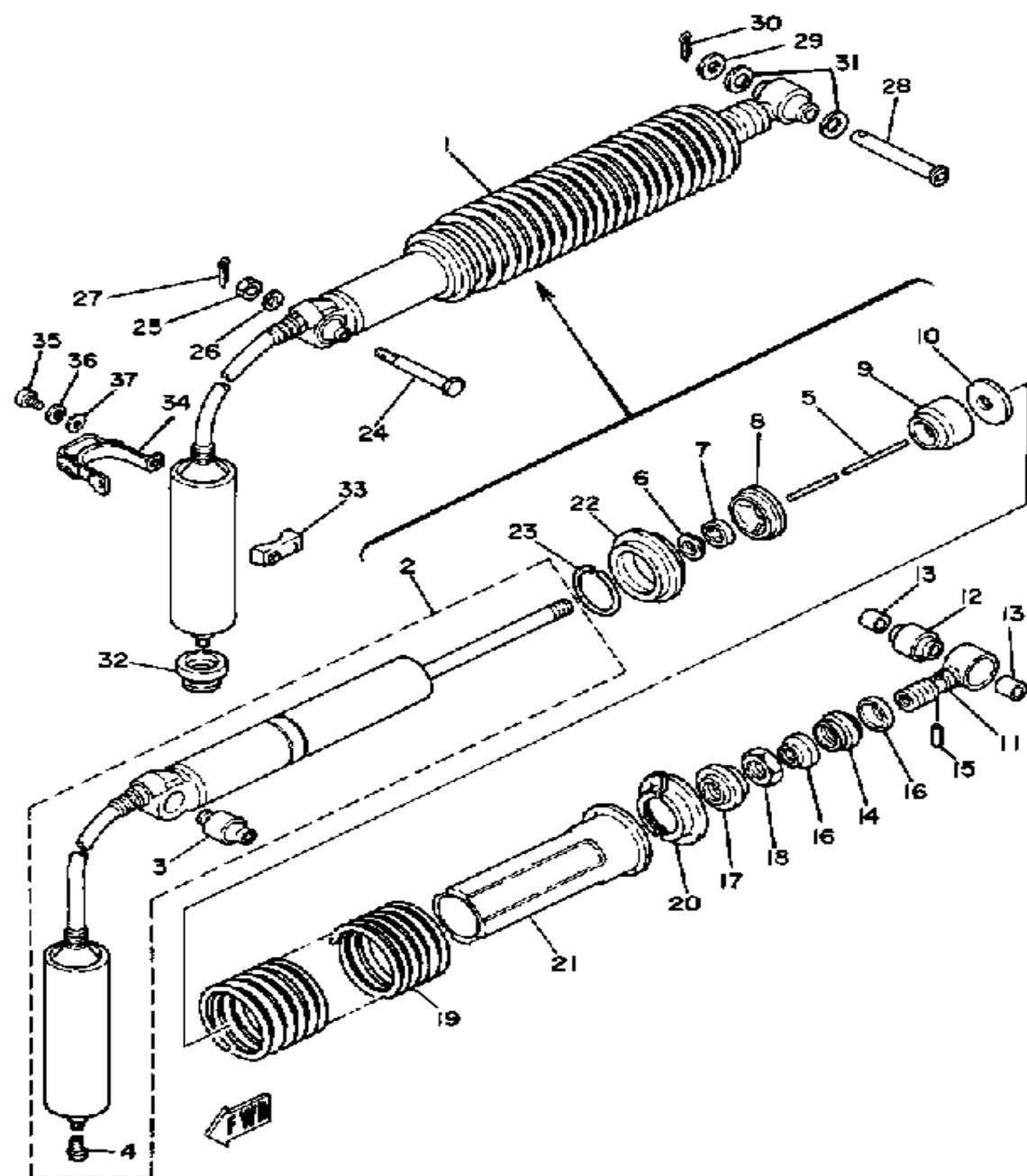
REAR SUSPENSION



Ref. No.	Part Number	Description	Qty	Remarks
1	(4V4-22210-00-00)	SHK/ABS ASSEMBLY, REAR	1	
2	(4V4-22401-00-00)	DAMPER SUB-ASSEMBLY.	1	
3	1YW-22216-00-00	. . BUSH, REAR SHOCK ABSORBER	1	
4	98511-04006-00	. . SCREW, PAN HEAD	1	
5	(3R4-22489-00-00)	ROD, PUSH	1	
6	23X-22475-00-00	. SEAL, DUST 0 1	1	
7	23X-22475-00-00	. SEAL, DUST 0 1	1	
8	26A-22472-00-00	. CAP, CASE 0 1	1	
9	(2W6-22493-00-00)	BUMP, STOP	1	
10	3R4-22228-00-00	. SUPPORT, BUMP STOP	1	
11	3R4-22409-00-00	. UPPER BRKT SUB ASSEMBLY	1	
12	3R4-22226-00-00	. BUSH, SHOCK ABS LWR	1	
13	90380-12051-00	. BUSH, SOLID	2	
14	5X3-22497-00-00	. NUT, ADJUSTING	1	
15	93604-26132-00	. PIN, DOWEL	1	
16	3R4-22221-01-00	. COVER	2	
17	3R4-22213-00-00	. SEAT, SPRING UPPER	1	
18	90170-20320-00	. NUT, HEXAGON	1	
19	(3R4-22212-00-00)	SPRING	1	
	(3R4-22212-10-00)	SPRING, MXS SOFT	1	U.R.ALT. PARTSOFT (GREEN)
	3R4-22212-20-00	. SPRING, MXS HARD	1	U.R.ALT. PARTHARD (BLUE)
20	3R4-22214-01-00	. GUIDE, SPRING 1 (3R4-22214-00)	2	
21	3R4-22224-00-00	. GUIDE, SPRING 2	1	
22	3R4-22223-00-00	. SEAT, SPRING LOWER	1	
23	93440-50078-00	. CIRCLIP, OUTER	1	

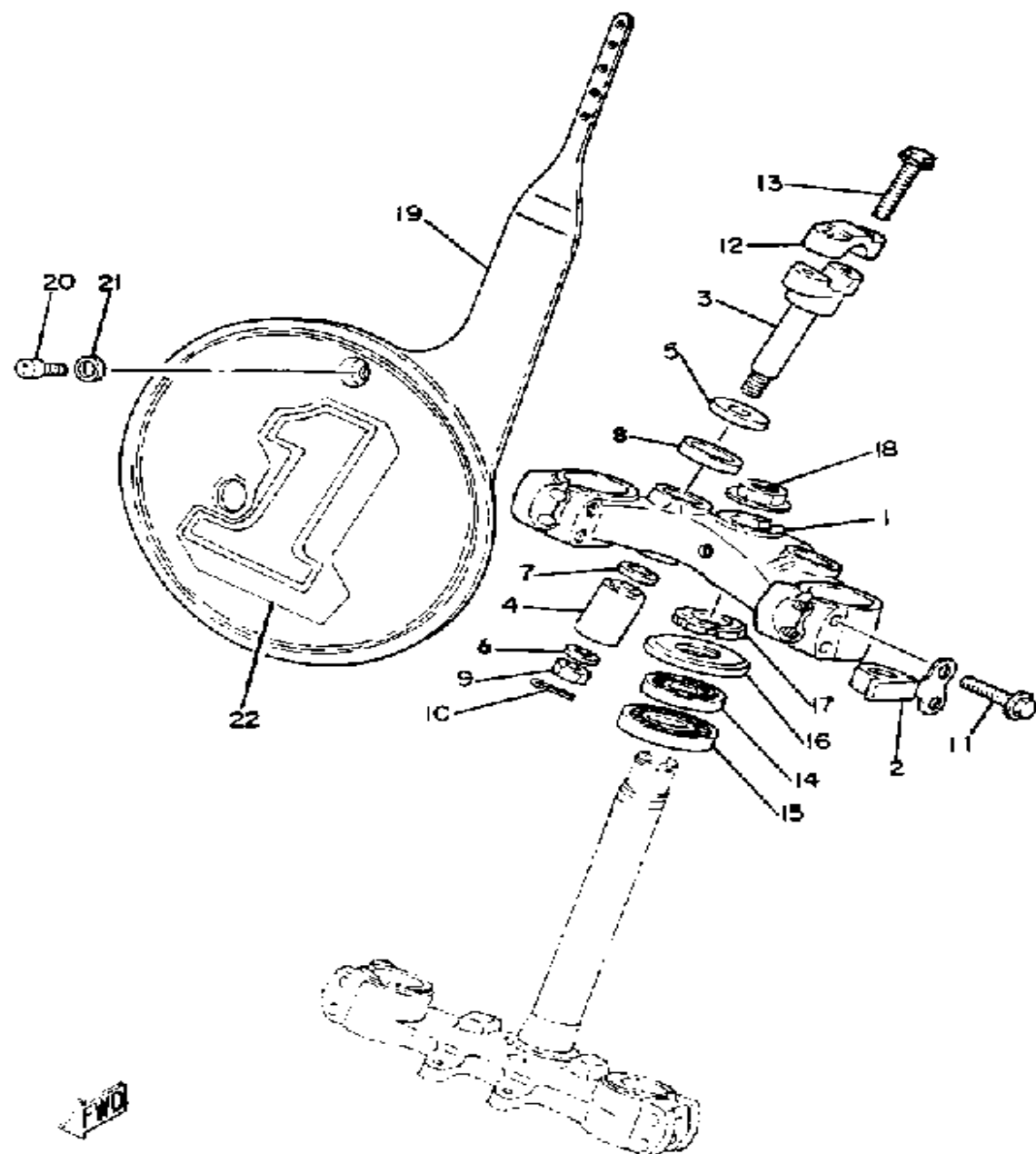
CONTINUED ON NEXT FRAME ►

REAR SUSPENSION



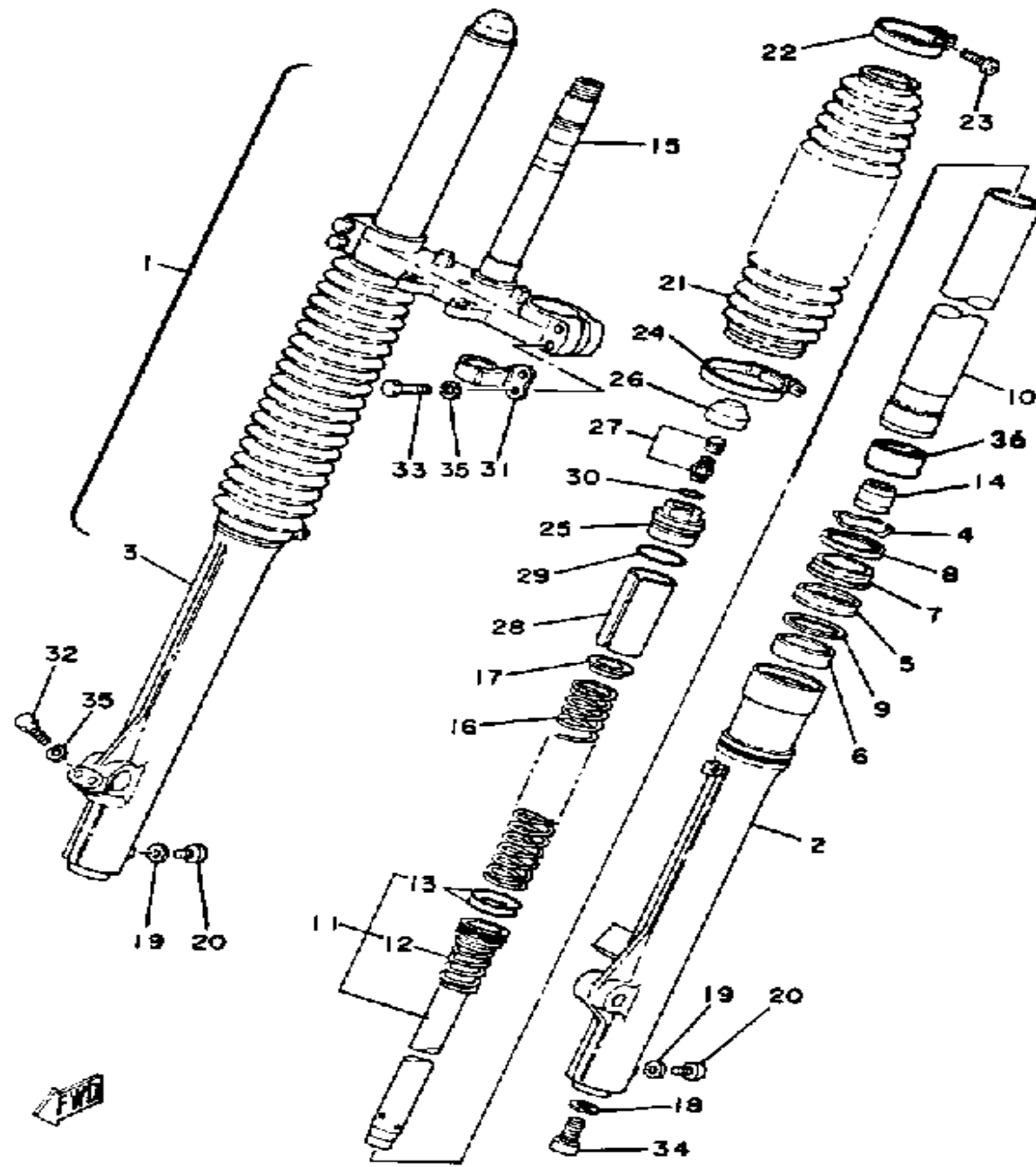
Ref. No.	Part Number	Description	Qty	Remarks
24	90109-10550-00	BOLT	1	
25	95303-10700-00	NUT	1	
26	92990-10600-00	WASHER, PLATE	1	
27	91490-20025-00	PIN, COTTER (91490-20020-00)	1	
28	90240-12074-00	PIN, CLEVIS	1	
29	92990-12600-00	WASHER, PLATE	1	
30	91401-30030-00	PIN, COTTER	1	
31	1W1-22128-00-00	COVER, THRUST 1	2	
32	90480-22263-00	GROMMET	1	
33	3R4-22261-00-00	DAMPER, SUB TANK	1	
34	4V4-22262-01-00	HOLDER, SUB TANK (250H) ..	1	
35	98503-06014-00	SCREW, PAN HEAD (92501-06015)	1	
36	92995-06100-00	WASHER, SPRING	1	
37	92901-06600-00	WASHER	1	

STEERING



Ref. No.	Part Number	Description	Qty	Remarks
1	4V4-23435-00-98	CROWN, HANDLE	1	LOW GLOSS BLK
2	3R4-23317-00-00	HOLDER, CABLE	1	
3	1E6-23442-00-00	HOLDER, HANDLE LWR	2	
4	307-22123-00-00	BUSH 1	2	
5	90201-123E8-00	WASHER, PLATE	2	
6	90201-100A1-00	WASHER, PLATE	2	
7	90387-121E8-00	COLLAR	2	
8	90202-14077-00	WASHER, PLATE	2	
9	90185-10037-00	NUT, SELF-LOCKING	2	
10	91490-20020-00	PIN, COTTER (91401-20020-00)	2	
11	90105-08091-00	BOLT, WASHER BASED	4	
12	1E6-23441-00-00	HOLDER, HANDLE UPPER ...	2	LOW GLOSS BLK
13	95811-08035-00	BOLT, FLANGE	4	
14	93332-00001-00	BEARING	1	
15	93332-00008-00	BEARING	1	
16	3HE-23416-00-00	COVER, BALL RACE 2	1	
17	90179-25033-00	NUT	1	
18	90179-22330-00	NUT, SPEC'L SHAPE	1	
19	5X6-23485-01-00	PLATE, NUMBER	1	
20	98580-06012-00	SCREW, PAN HEAD (92501-06012-00)	1	
21	90201-06067-00	WASHER, PLATE	1	
22	(4V4-21782-00-00)	EMBLEM 2	1	

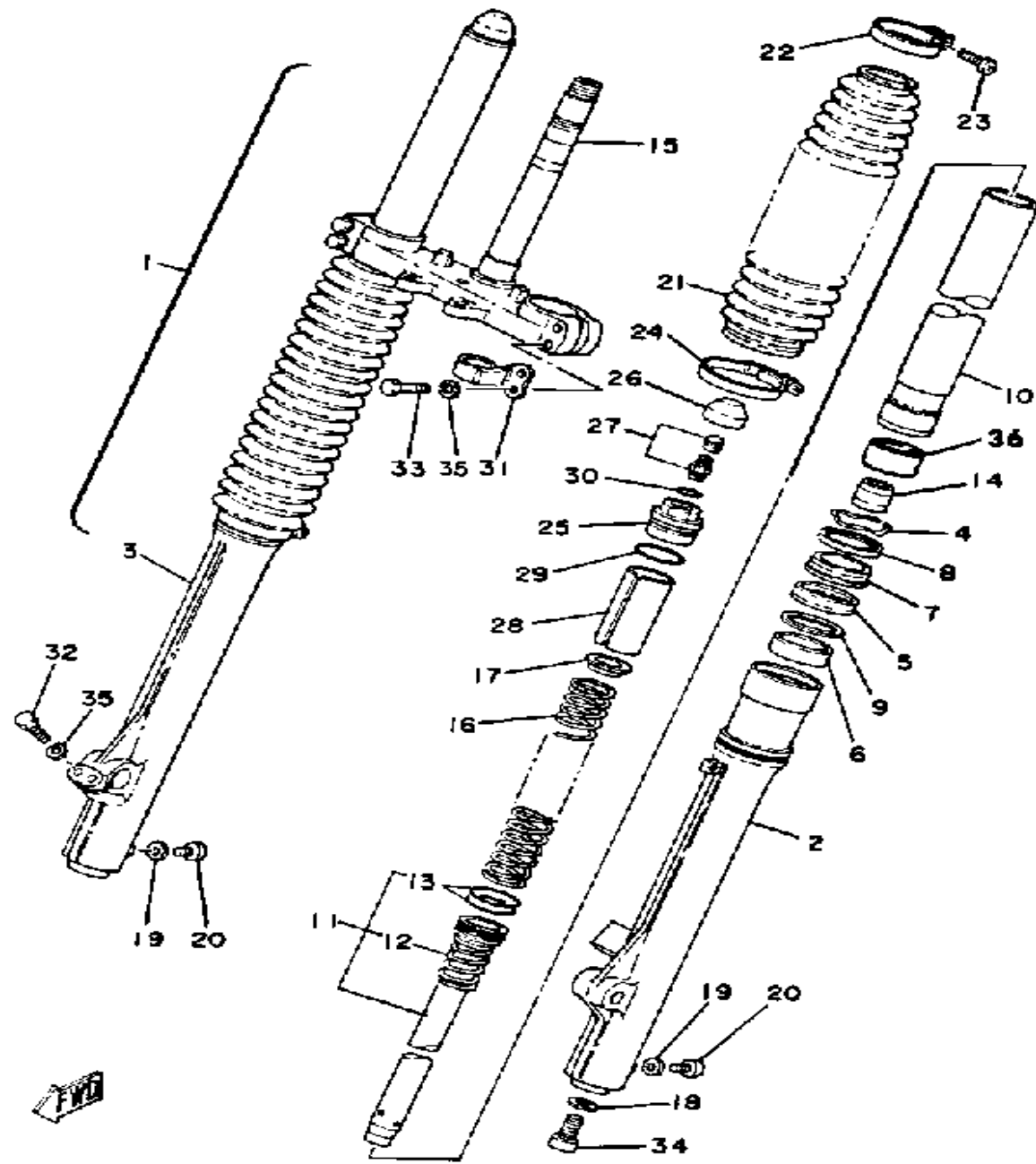
FRONT FORK



Ref. No.	Part Number	Description	Qty	Remarks
1	(4V4-23101-L1-00)	FRONT FORK ASSEMBLY	1	
2	(4V4-23126-L1-00)	TUBE, OUTER 1	1	
3	(4V4-23136-L1-00)	TUBE, OUTER 2	1	
4	4V4-23153-L0-00	. RING, SNAP	2	
5	23X-23145-L0-00	. OIL SEAL	2	
6	3XJ-23125-L0-00	. METAL, SLIDE 1	2	
7	4V4-23144-L0-00	. SEAL, DUST	2	
8	4V4-23148-L0-00	. COVER, DUST SEAL	2	
9	4V4-23146-L0-00	. WASHER, OIL SEAL	2	
10	4V4-23110-L0-00	. INNER TUBE 1	2	
11	(4V4-23170-L0-00)	CYLINDER, FRTRFK	2	
12	(4V4-23152-L0-00)	SPRING, SUB	2	
13	4V4-23157-L0-00	. RING, PISTON FRTRFK	4	
14	4V4-23173-L0-00	. SPINDLE, TAPER	2	
15	(4V4-23340-L0-33)	UNDER BRACKET	1	YAMAHA BLK
16	(4V4-23141-10-00)	SPRING, FRTRFK SOFT	2	U.R.ALT. PARTSOFT
	(4V4-23141-L0-00)	SPRING, FRONT FORK	2	STD
	4V4-23141-20-00	SPRING, FRTRFK HARD (=0.31) (USE SPACER 4V4-23118-)	2	U.R.ALT. PARTHARD
17	4V4-23142-L0-00	. SEAT, SPRING UPPER	2	
18	4V4-23158-L0-00	. GASKET	2	
19	122-23129-00-00	. GASKET, DRAIN PLUG	2	
20	4H7-23119-00-00	. PLUG, DRAIN	2	
21	4V4-23191-L0-00	. BOOT, FRONT FORK	2	
22	4V4-23192-L0-00	. BAND	2	
23	4V4-23194-L0-00	. SCREW, BOOT BAND	2	
24	23X-23489-L0-00	. BAND	2	
25	4V4-23111-L0-00	. BOLT, CAP	2	
26	1W1-23185-L0-00	. COVER, VALVE	2	

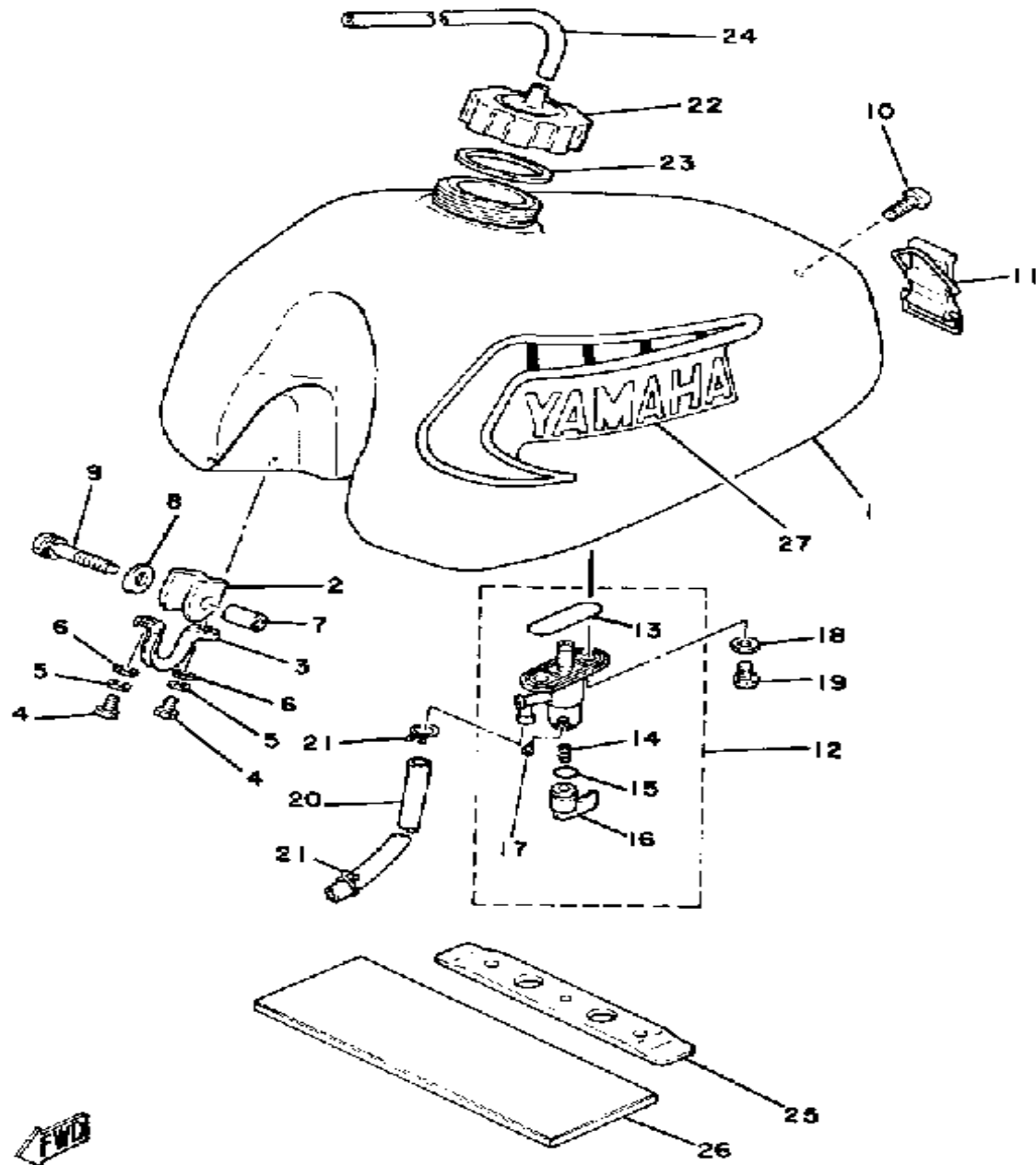
CONTINUED ON NEXT FRAME ►

FRONT FORK



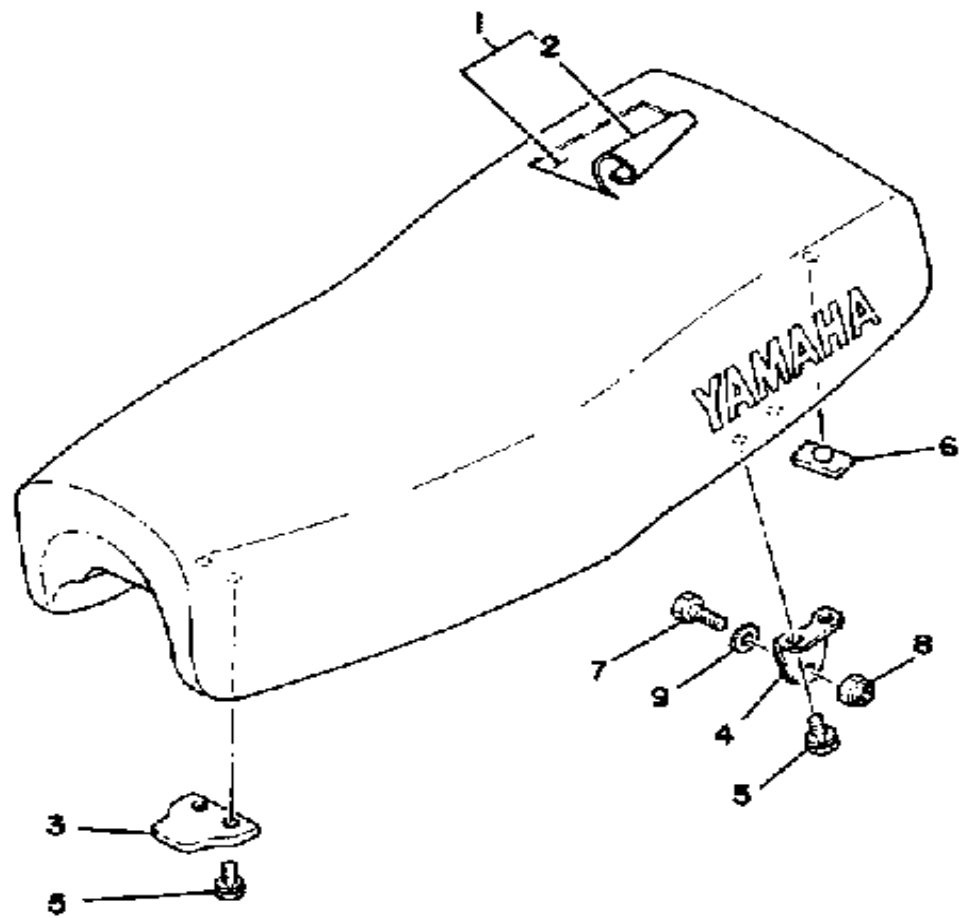
Ref. No.	Part Number	Description	Qty	Remarks
27	4V4-23190-L0-00	. AIR VALVE	2	
28	4V4-23110-L0-00	. INNER TUBE 1	2	
	5X6-23118-10-00	. SPACER (L=80)	2	U.R.ALTERNATE PART
	5X6-23118-L0-00	. SPACER	2	U.R.ALTERNATE PART
29	4V4-23188-L0-00	. O-RING	2	
30	3J2-23147-00-00	. O-RING	2	
31	3R4-23389-00-00	. GUIDE, CABLE	1	
32	(1W4-23128-L0-00)	BOLT, AXLE HOLDER	2	
33	90101-08340-00	. BOLT	4	
34	4V4-23181-L0-00	. BOLT, HEX SCKT HEAD	2	
35	92990-08100-00	. WASHER, SPRING	6	
36	4V4-23171-L0-00	. PISTON, FRONT FORK	2	

FUEL TANK



Ref. No.	Part Number	Description	Qty	Remarks
1	(3R5-24110-01-00)	FUEL TANK	1	COMP. YELLOW
2	1W1-24182-01-00	DAMPER, LOCATING 2	2	
3	1W1-24144-01-00	HOLDER, DAMPER	2	
4	97013-06012-00	BOLT	4	
5	92995-06100-00	WASHER, SPRING	4	
6	92901-06600-00	WASHER	4	
7	90387-07393-00	COLLAR	2	
8	90201-06407-00	WASHER, PLATE	2	
9	90119-06022-00	BOLT, WITH WASHER	2	
10	98903-06018-00	SCREW, BIND	1	
11	59V-24173-00-00	BAND, TNK FITTING 1	1	
12	2K5-24500-00-00	FUEL COCK ASSEMBLY 1	1	
13	214-24512-00-00	. GASKET	1	
14	1A0-24529-01-00	. SPRING	1	
15	1A0-24512-00-00	. GASKET	1	
16	1A0-24524-01-00	. LEVER, COCK	1	
17	619-24535-00-00	. SCREW, LVR FITTING	1	
18	90202-05187-00	WASHER, PLATE	2	
19	90149-06011-00	SCREW	2	
20	90445-11182-00	HOSE	1	
21	90467-10008-00	CLIP	2	
22	1W1-24611-00-00	BODY, CAP	1	
23	1W1-24612-00-00	GASKET, CAP	1	
24	90445-09252-00	HOSE	1	
25	3R4-24181-00-00	DAMPER, LOCATING 1	1	
26	1W1-24183-00-00	DAMPER, LOCATING 3	1	
27	4V4-24240-09-00	GRAPHIC SET	1	

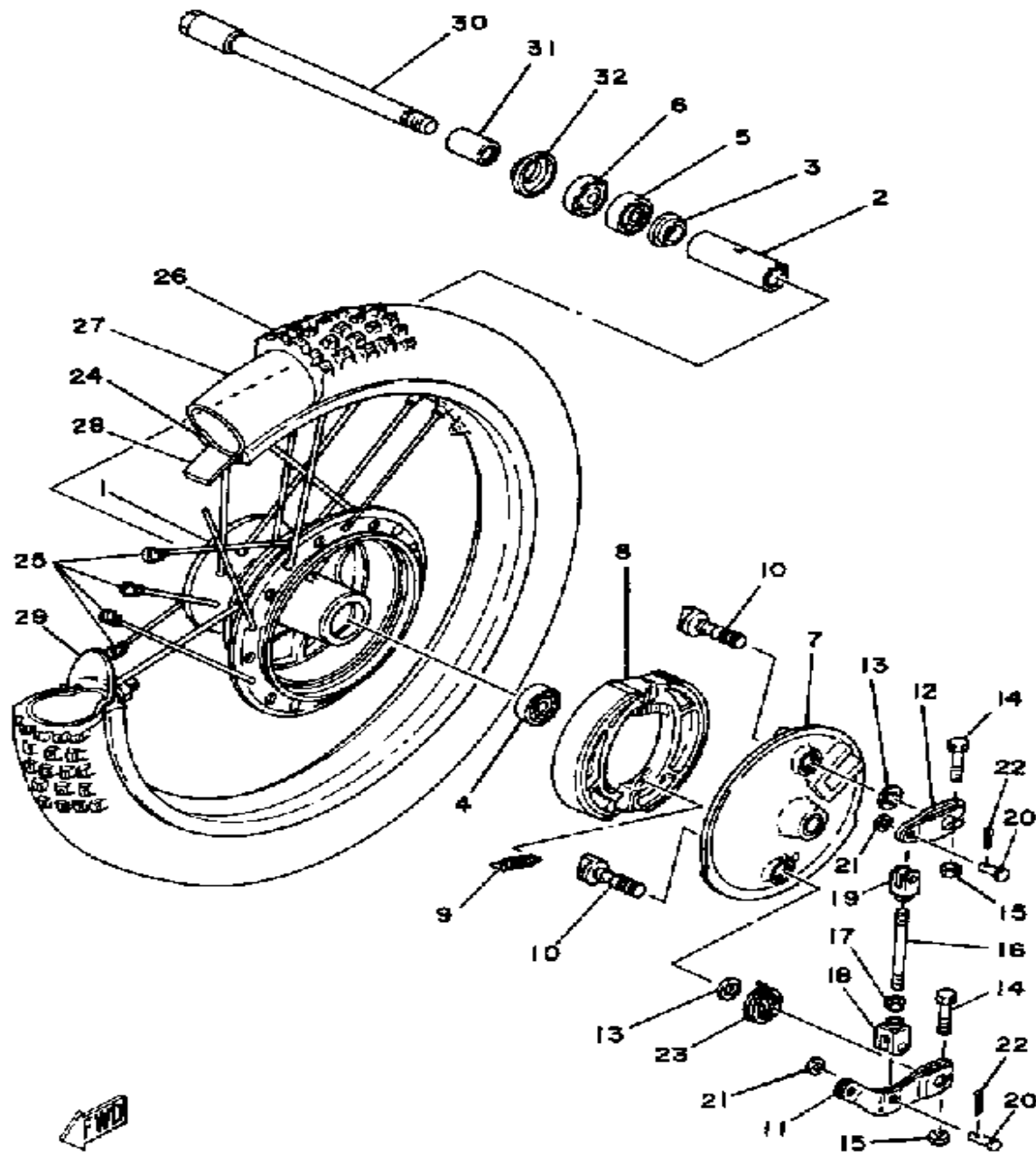
SEAT



Ref. No.	Part Number	Description	Qty	Remarks
1	3R4-W2473-00-00	SEMI-DBL-SEAT ASSEMBLY . .	1	
2	3R4-W2473-00-00	. SEMI-DBL-SEAT ASSEMBLY .	1	
3	1M1-24748-00-00	BRACKET, SEAT	1	
4	1W1-24738-00-00	BRACKET, SEAT	2	
5	90101-06304-00	BOLT	6	
6	509-24724-00-00	DAMPER, SEAT	2	
7	97013-06035-00	BOLT	2	
8	95601-06100-00	NUT, U	2	
9	92990-06200-00	WASHER, PLAIN	2	



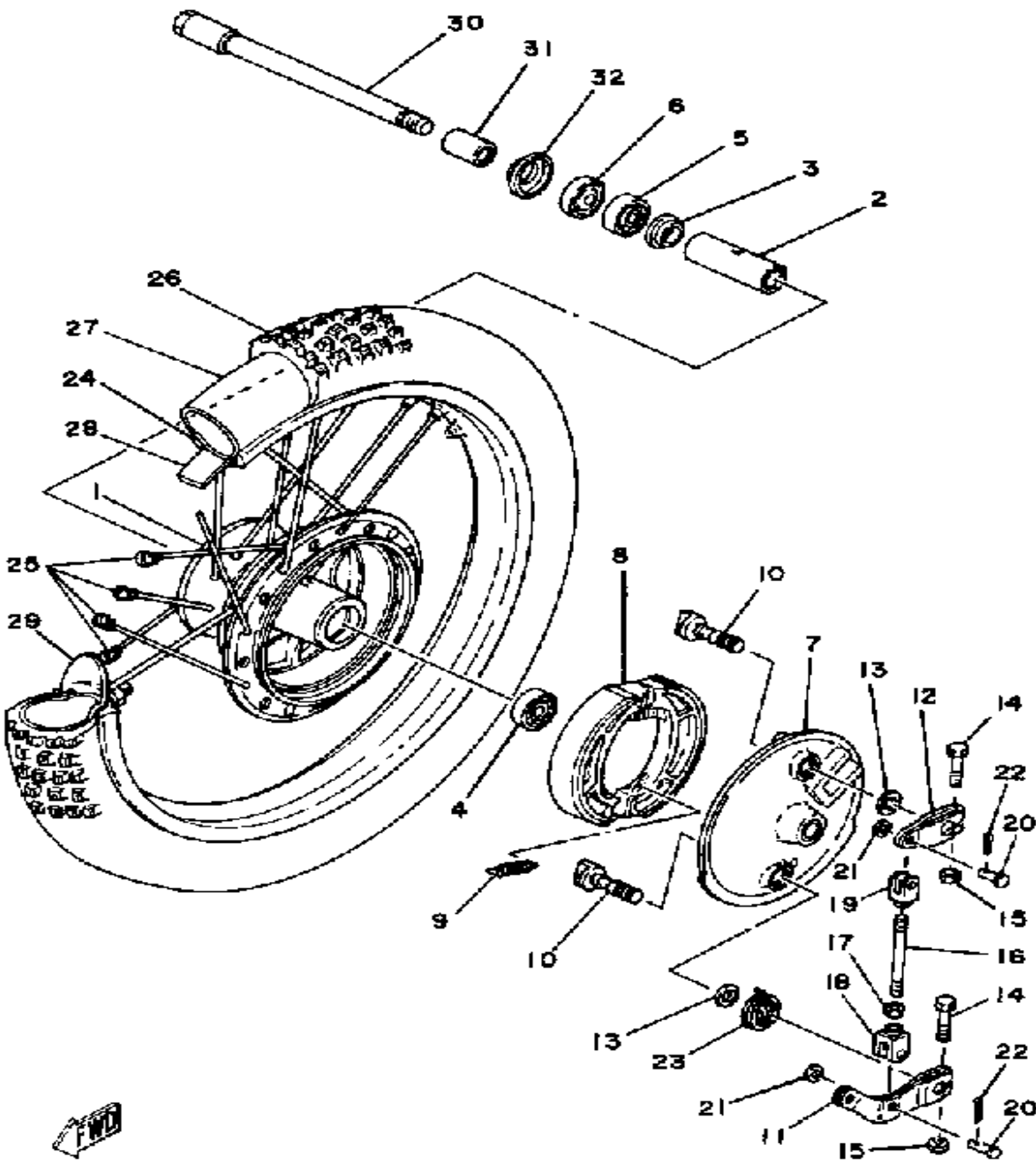
FRONT WHEEL



Ref. No.	Part Number	Description	Qty	Remarks
1	1K7-25111-10-98	HUB, FRONT	1	LOW GLOSS BLK
2	90560-15116-00	SPACER	1	
3	146-25116-00-00	FLANGE, SPACER 2	1	
4	93306-20226-00	BEARING	1	
5	93306-20209-00	BEARING	1	
6	93102-20009-00	OIL SEAL, SD-TYPE	1	
7	3R5-25121-01-98	PLATE, BRAKE SHOE	1	LOW GLOSS BLK
8	3R5-W2535-00-00	BRAKESHOE SET-2PCS	2	
9	90506-17328-00	SPRING, TENSION	2	
10	23X-25151-00-00	CAMSHAFT	2	
11	3R5-25155-00-00	LEVER, CAMSHAFT 1	1	
12	3R5-25156-00-00	LEVER, CAMSHAFT 2	1	
13	137-25159-00-00	SEAL, CAMSHAFT	2	
14	90101-06278-00	BOLT	2	
15	95380-06600-00	NUT, HEXAGON	2	
16	3R5-25161-00-00	ROD, CONNECTING	1	
17	95380-06700-00	NUT	1	
18	3R5-25163-00-00	END, ROD 1	1	
19	3R5-25164-00-00	END, ROD 2	1	
20	90240-06006-00	PIN, CLEVIS	2	
21	92990-06200-00	WASHER, PLAIN	2	
22	91490-20020-00	PIN, COTTER (91401-20020-00)	2	
23	90508-20425-00	SPRING, TORSION	1	
24	94416-21320-00	RIM 1.60X 1	1	
25	2W6-25104-02-00	SPOKE SET, FRONT	1	
26	(94130-21654-00)	300-21 MARK 2 (TT)	1	
27	94230-21126-00	TUBE	1	
28	(94330-21088-00)	BAND, RIM	1	
29	5X2-25394-00-00	SPACER, BEAD	1	

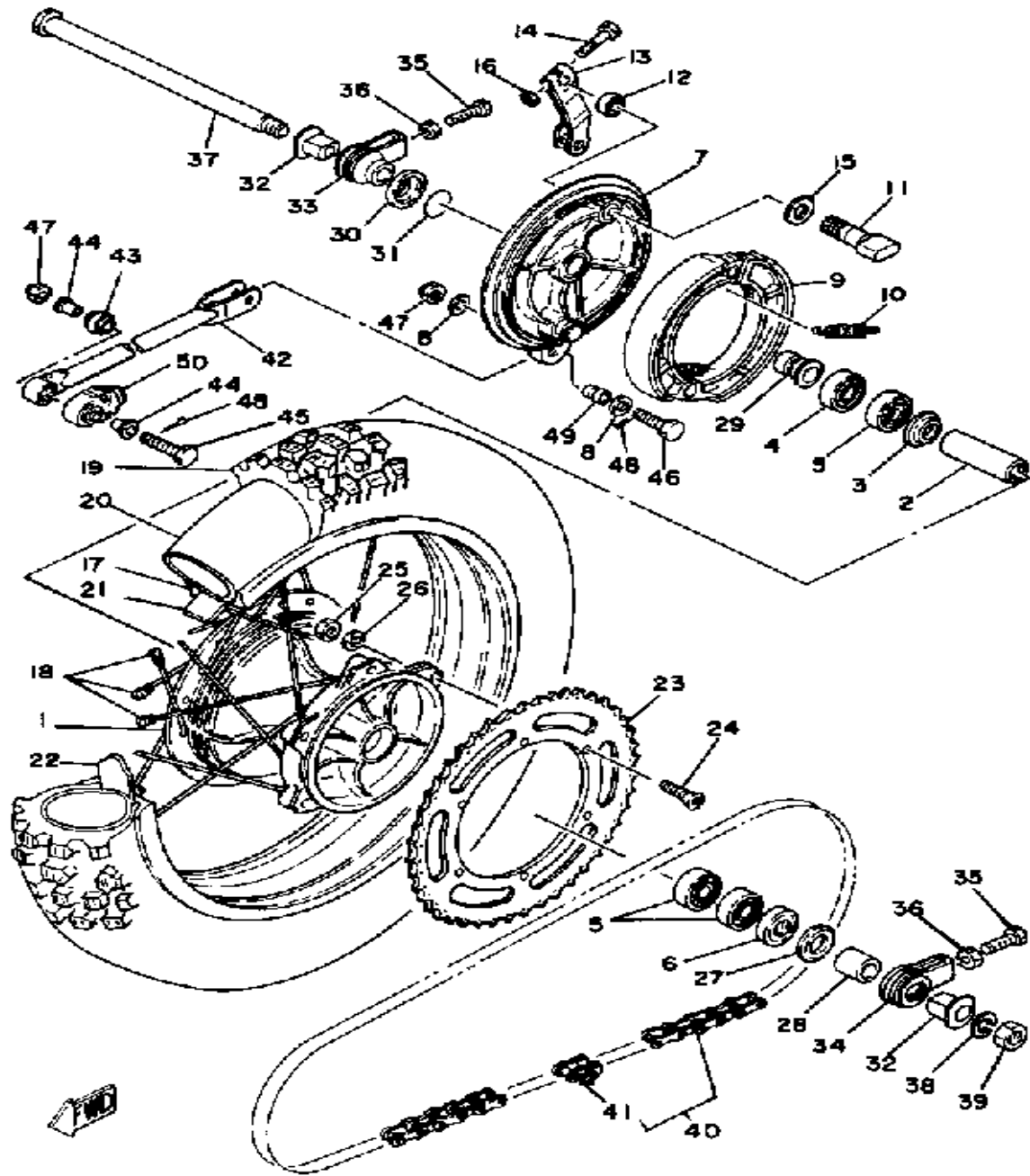
CONTINUED ON NEXT FRAME ►

FRONT WHEEL



Ref. No.	Part Number	Description	Qty	Remarks
30	3R4-25181-01-00	AXLE, WHEEL	1	
31	90387-152J3-00	COLLAR	1	
32	322-25118-00-00	COVER, HUB DUST	1	

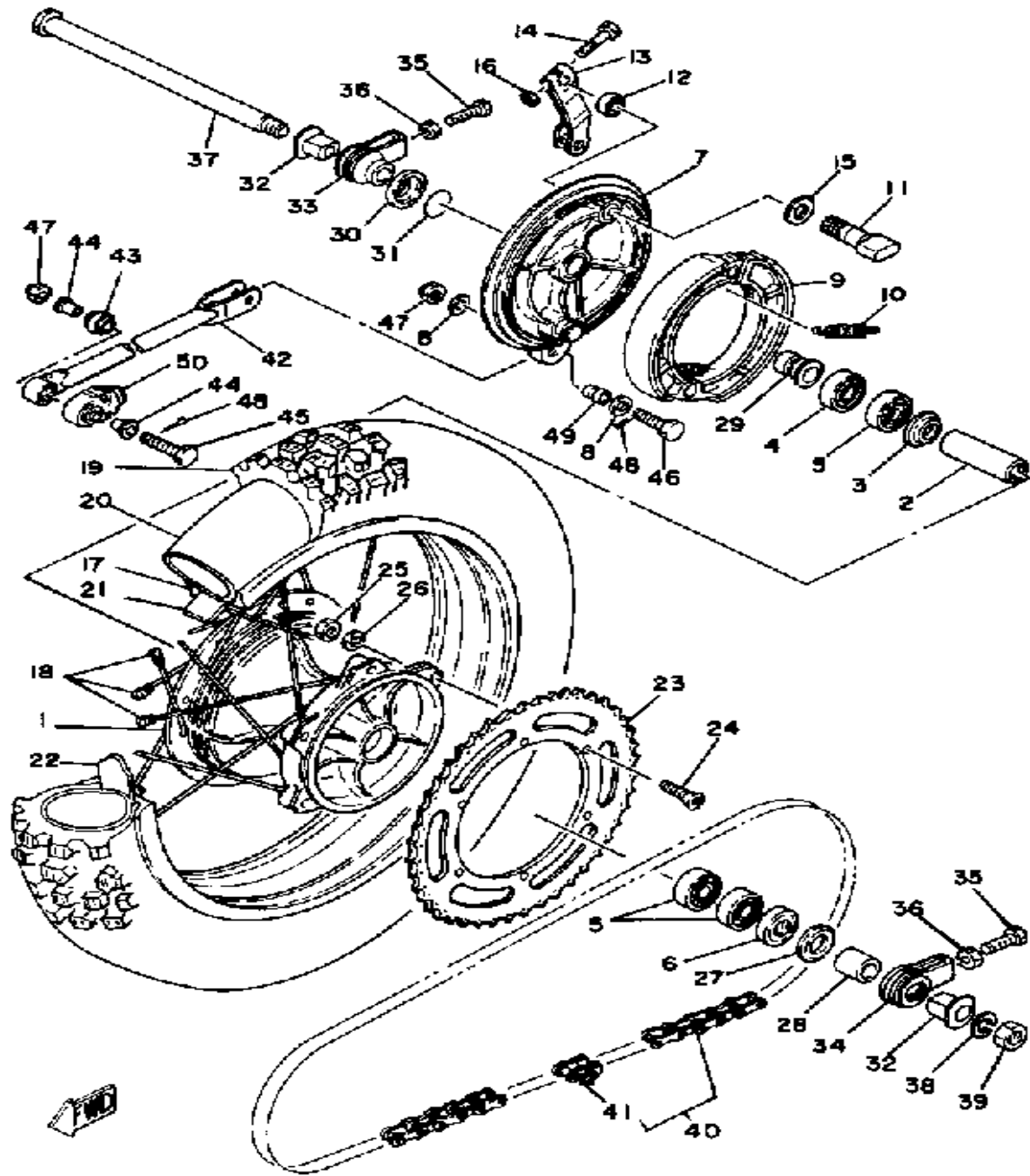
REAR WHEEL



Ref. No.	Part Number	Description	Qty	Remarks
1	4V4-25311-00-98	HUB, REAR	1	LOW GLOSS BLK
2	90560-20226-00	SPACER	1	
3	4V4-25315-00-00	FLANGE, SPACER	1	
4	93306-00418-00	BEARING	1	
5	93306-00406-00	BEARING (B6004Z)	3	
6	93102-28022-00	OIL SEAL	1	
7	4V4-25321-00-98	PLATE, BRAKE SHOE	1	LOW GLOSS BLK
8	93104-11056-00	OIL SEAL, SO-TYPE	2	
9	40T-W2536-00-00	BRAKESHOE SET-2PCS	2	
10	90507-20002-00	SPRING, TENSION	2	
11	1E6-25151-00-00	CAMSHAFT	1	
12	148-25359-00-00	SEAL, CAMSHAFT	1	
13	4V4-25355-00-00	LEVER, CAMSHAFT	1	
14	90101-06278-00	BOLT	1	
15	148-25353-00-00	SHIM, CAMSHAFT	1	
16	95380-06600-00	NUT, HEXAGON	1	
17	(94425-18282-00)	RIM 2.50X 8	1	
18	4V4-25304-00-00	SPOKE SET, REAR	1	
19	94115-186A2-00	150/80-18 M2A (TT) (94151-18684) (4.50-18-4PR)	1	
20	94245-18125-00	TUBE	1	
21	94345-18081-00	BAND, RIM	1	
22	2X5-25394-00-00	SPACER, BEAD	2	
23	3R4-25444-01-XX	SPROCKET, DRIVN 44T	1	ALTERNATE PART
	3R4-25446-01-XX	SPROCKET, DRIVN 46T	1	U.R. STD
	3R4-25448-01-XX	SPROCKET, DRIVN 48T	1	ALTERNATE PART
	3R4-25450-01-XX	SPROCKET, DRIVN 50T	1	ALTERNATE PART
	3R4-25452-01-XX	SPROCKET, DRIVN 52T	1	ALTERNATE PART
24	90110-08038-00	BOLT, HEX SKT HEAD	6	

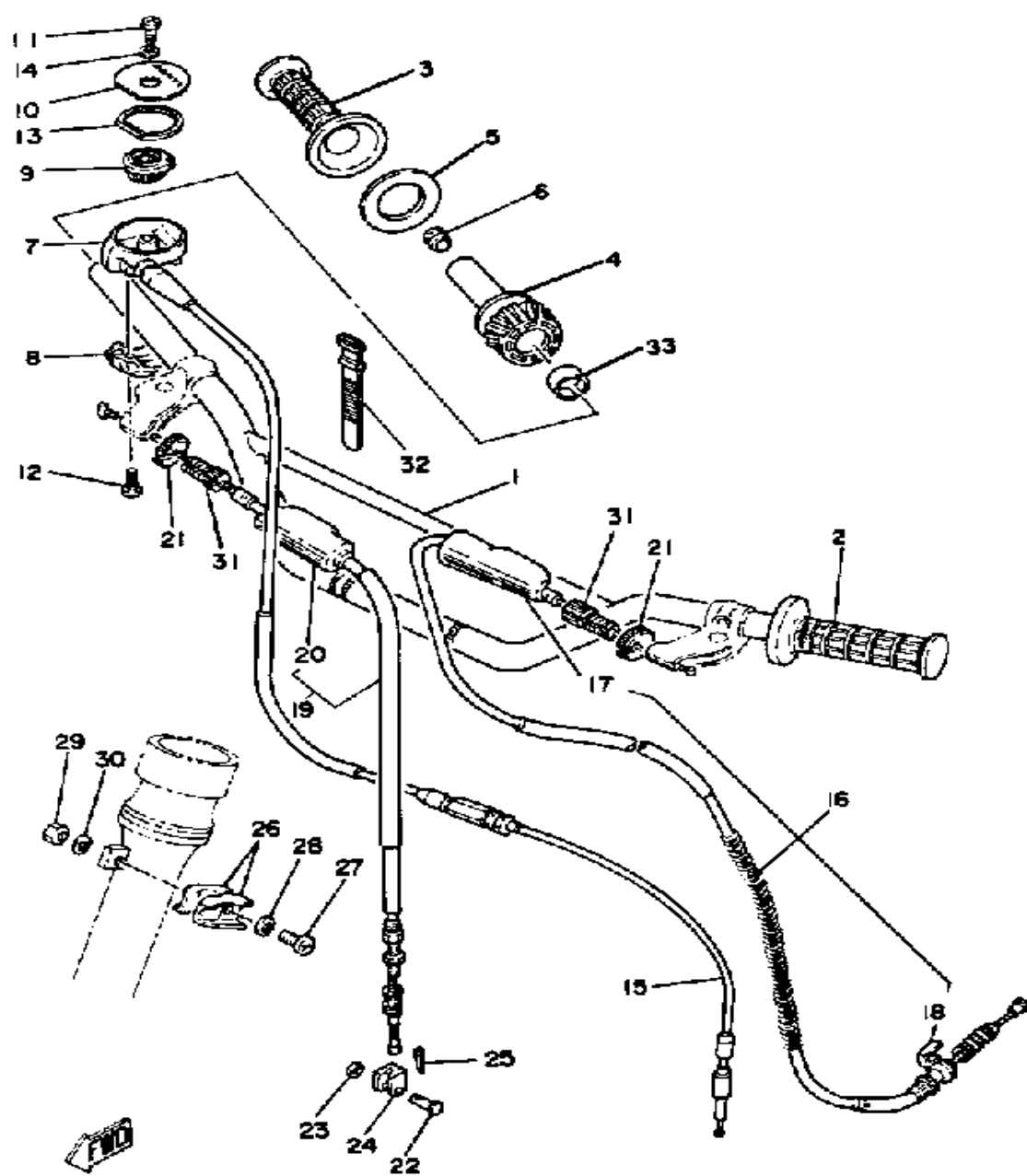
CONTINUED ON NEXT FRAME ►

REAR WHEEL



Ref. No.	Part Number	Description	Qty	Remarks
25	90185-08089-00	NUT, SELF-LOCKING	6	
26	90201-081A6-00	WASHER, PLATE	6	
27	4V4-25367-00-00	COVER, HUB DUST	1	
28	(90387-201E4-00)	COLLAR	1	
29	(90387-201E3-00)	COLLAR	1	
30	4V4-25327-00-00	COVER, PLATE	1	
31	93210-33481-00	O-RING	1	
32	90381-20036-00	BUSH, SOLID	2	
33	4V4-25389-00-00	PULLER, CHAIN 2	1	
34	4V4-25388-00-00	PULLER, CHAIN 1	1	
35	90101-08699-00	BOLT	2	
36	95303-08700-00	NUT	2	
37	4V4-25381-01-00	AXLE, WHEEL	1	
38	92901-18100-00	WASHER, SPRING	1	
39	90170-18275-00	NUT, HEXAGON	1	
40	94585-20108-00	520 DS 108L (520DS-108L)	1	
41	94685-20001-00	. JOINT CHAIN	1	
42	(3R5-25371-01-00)	BAR, TENSION	1	
43	93399-99906-00	BEARING, SPECIAL	1	
44	90387-082E1-00	COLLAR	2	
45	90102-08034-00	BOLT, WITH HOLE	1	
46	90102-08043-00	BOLT, WITH HOLE	1	
47	95611-08100-00	NUT, U	2	
48	91490-20020-00	PIN, COTTER (91401-20020-00)	2	
49	90387-08699-00	COLLAR	1	
50	4V4-25335-00-00	CAP	1	

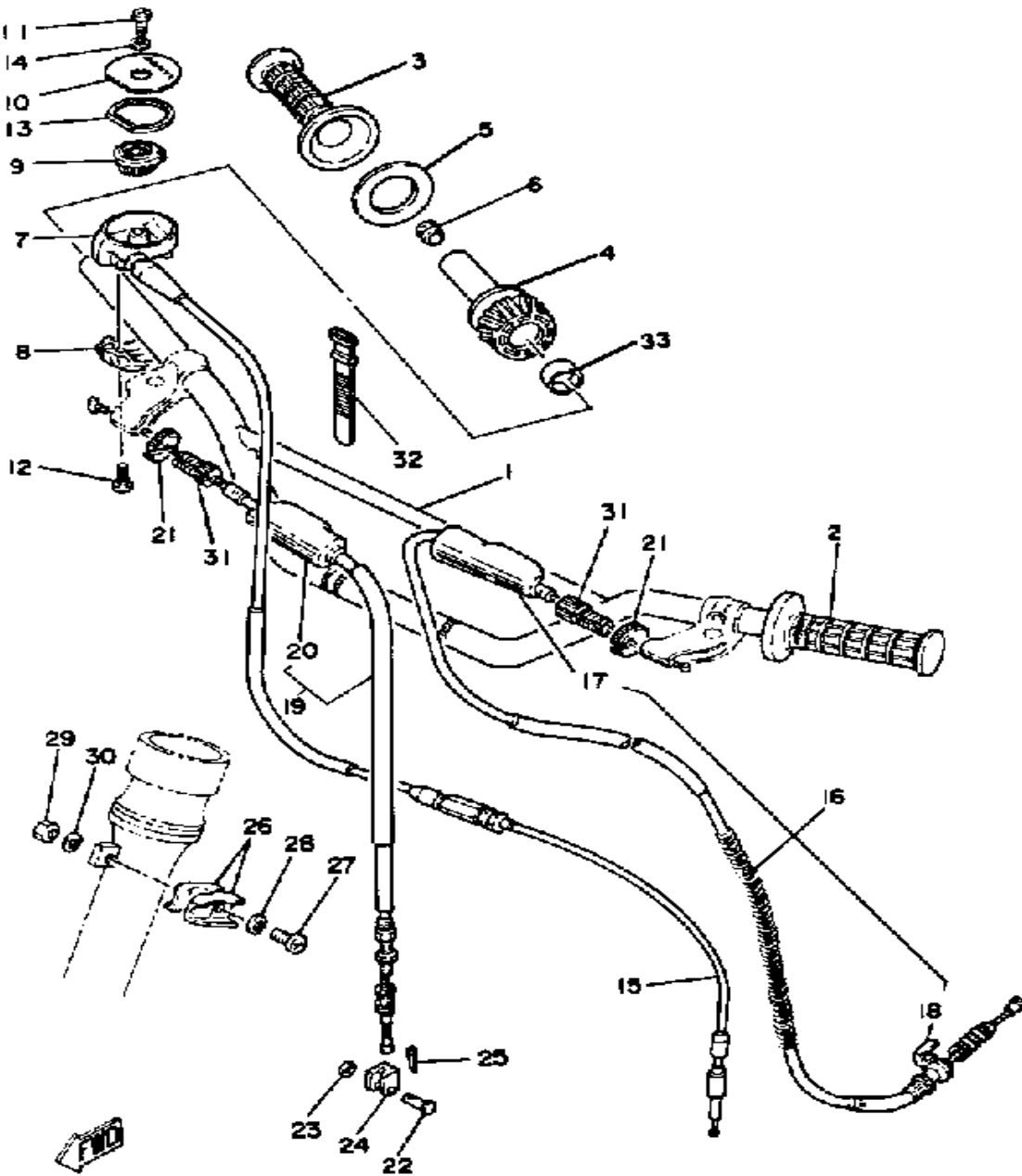
HANDLEBAR - CABLE



Ref. No.	Part Number	Description	Qty	Remarks
1	3R4-26111-00-00	HANDLEBAR	1	
2	4V4-26241-01-00	GRIP LH (4V4-26341-00) (L.H.) .	1	
3	1LX-26242-01-00	GRIP (RIGHT)	1	
4	4V4-26243-00-00	TUBE, THRTL GUIDE	1	
5	4V4-26249-00-00	RING, LEAF	1	
6	90338-12192-00	PLUG	1	
7	4V4-26281-00-00	CAP, GRIP UPPER	1	
8	4V4-26282-00-00	CAP, GRIP LOWER	1	
9	4V4-2628E-00-00	GEAR, BEVEL	1	
10	4V4-2628F-09-00	CAP, GEAR	1	
11	98906-05016-00	SCREW, BIND	1	
12	98580-05016-00	SCREW, PAN HEAD	2	
13	4V4-2628G-00-00	PACKING	1	
14	90430-05009-00	GASKET	1	
15	4V4-26311-00-00	CABLE, THROTTLE 1	1	
16	4V4-26335-01-00	CABLE, CLUTCH	1	
17	382-26372-01-00	. COVER, HANDLE LEVER ...	1	
18	3R4-26393-00-00	. HOLDER	1	
19	4V4-26341-00-00	CABLE, BRAKE	1	
20	382-26372-01-00	. COVER, HANDLE LEVER ...	1	
21	90179-08148-00	NUT	2	
22	90240-08013-00	PIN, CLEVIS	1	
23	90201-08083-00	WASHER, PLATE	1	
24	156-26347-00-00	JOINT, CABLE	1	
25	91490-20020-00	PIN, COTTER (91401-20020-00)	1	
26	90462-14055-00	CLAMP	2	
27	98511-06025-00	SCREW PAN HEAD	1	
28	92995-06100-00	WASHER, SPRING	1	
29	95380-06600-00	NUT, HEXAGON	1	

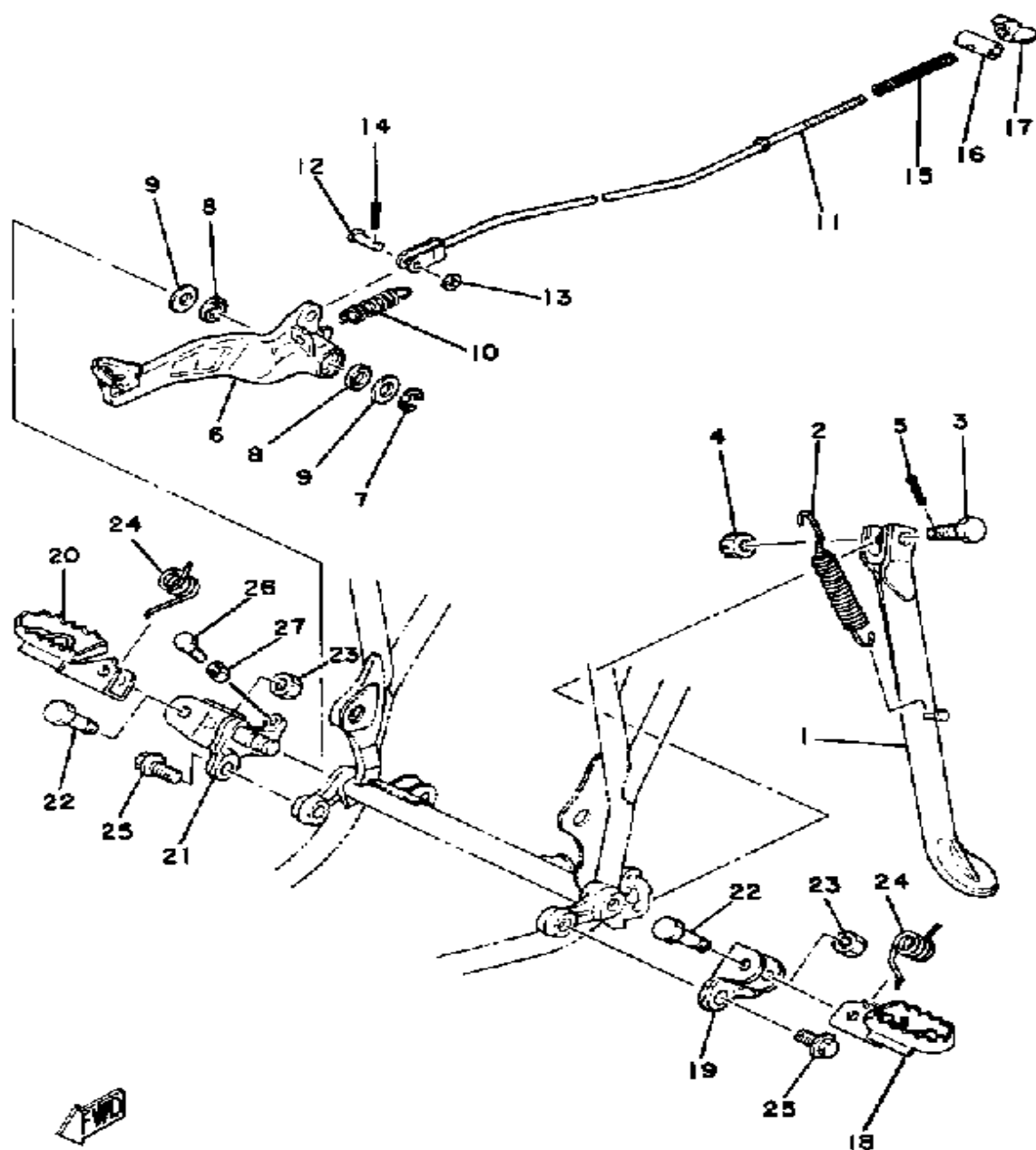
CONTINUED ON NEXT FRAME ►

HANDLEBAR - CABLE

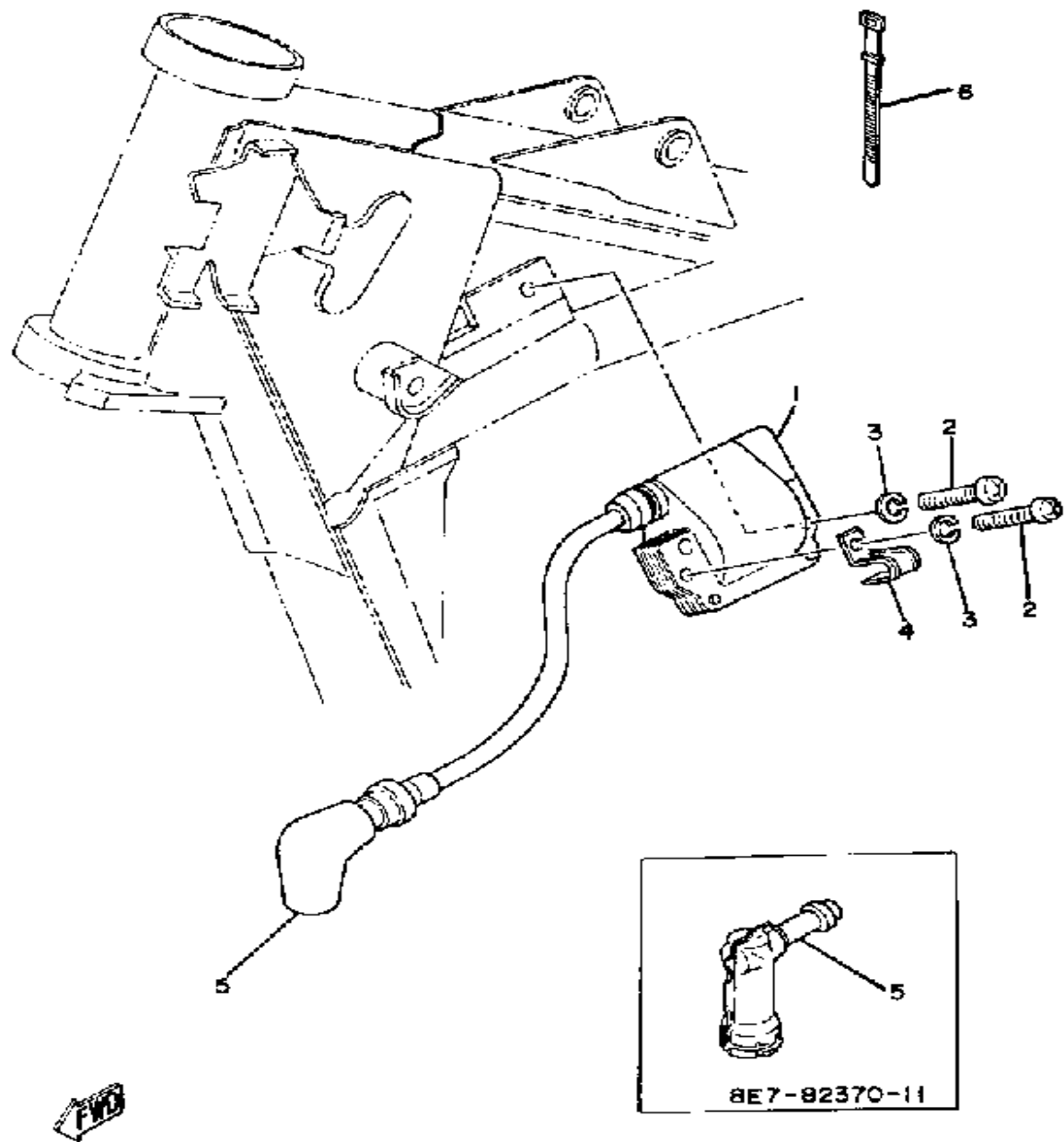


Ref. No.	Part Number	Description	Qty	Remarks
30	92901-06600-00	WASHER	1	
31	90123-08046-00	BOLT	2	
32	437-83936-11-00	BAND, SWITCH CORD	1	
33	90387-22660-00	COLLAR	1	

STAND - FOOTREST



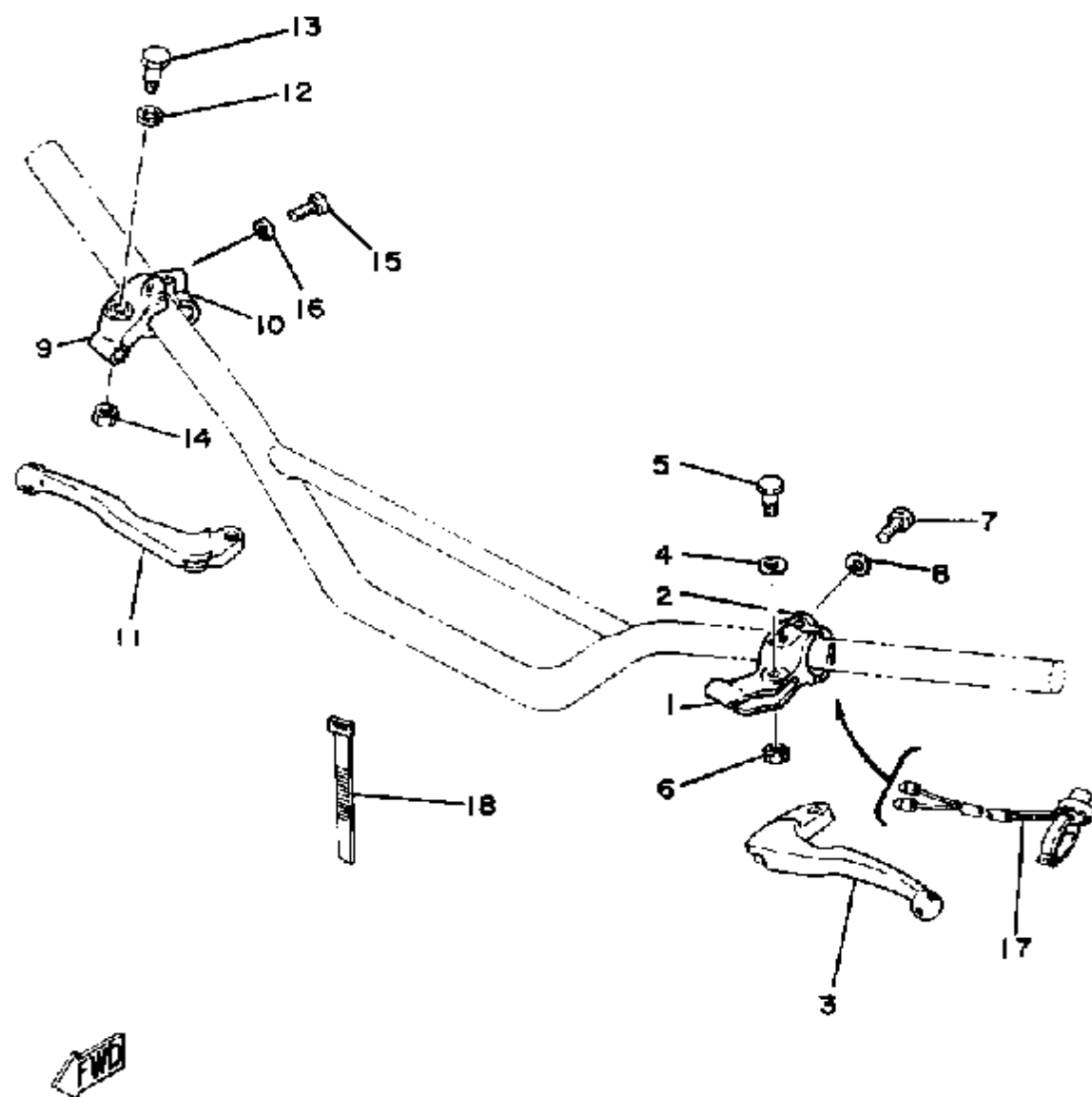
Ref. No.	Part Number	Description	Qty	Remarks
1	3R4-27311-00-33	STAND, SIDE	1	YAMAHA BLACK
2	90507-29008-00	SPRING, TENSION	1	
3	90102-10006-00	BOLT, WITH HOLE (278-27317-00)	1	
4	95303-10900-00	NUT, SLOTTED	1	
5	91490-20025-00	PIN, COTTER (91490-20020-00)	1	
6	4V4-27200-00-00	PEDAL, BRAKE	1	
7	93430-10015-00	CIRCLIP	1	
8	93109-14021-00	OIL SEAL, SDO-TYPE	2	
9	90201-14411-00	WASHER, PLATE	2	
10	90506-20192-00	SPRING, TENSION	1	
11	2X4-27231-01-00	ROD, BRAKE	1	
12	90240-06103-00	PIN, CLEVIS	1	
13	92990-06200-00	WASHER, PLAIN	1	
14	91490-20020-00	PIN, COTTER (91401-20020-00)	1	
15	90501-10245-00	SPRING, COMPRESSION	1	
16	90249-12008-00	PIN	1	
17	90179-06411-00	NUT, SPECIAL SHAPE	1	
18	5X3-27411-00-00	FOOTREST 1 (250H)	1	
19	(4V4-27412-00-00)	BRACKET, FOOTREST 1	1	
20	4V4-27421-00-00	FOOTREST 2 (250H)	1	
21	4V4-27422-00-00	BRACKET, FOOTREST 2 (250H)	1	
22	90101-08428-00	BOLT	2	
23	95611-08100-00	NUT, U	2	
24	90508-20023-00	SPRING, TORSION	2	
25	90105-12096-00	BOLT, WASHER BASED	4	
26	97011-06020-00	BOLT	1	
27	95380-06700-00	NUT	1	



ELECTRICAL 1

Ref. No.	Part Number	Description	Qty	Remarks
1	5G4-82310-40-00	IGNITION COIL ASSEMBLY ...	1	
	5G4-82310-40-00	IGNITION COIL ASSEMBLY ...	2	
2	98511-06025-00	SCREW PAN HEAD	2	
3	92995-06100-00	WASHER, SPRING	2	
4	90462-05005-00	CLAMP	1	
5	81E-82370-20-00	PLUG CAP ASSEMBLY	1	U.R.
	8E7-82370-11-00	PLUG CAP ASSEMBLY	1	U.R.W/NOISE SUPPRESSOR
6	437-83936-01-00	BAND, SWITCH CORD	2	

HANDLE SWITCH - LEVER



Ref. No.	Part Number	Description	Qty	Remarks
1	5F6-82911-00-00	HOLDER, LEVER 1	1	
2	4V4-82913-00-00	HOLDER, LEVER LOWER 1 ...	1	
3	23X-83912-00-00	LEVER L	1	
4	90201-08083-00	WASHER, PLATE	1	
5	90109-06797-00	BOLT	1	
6	95601-06100-00	NUT, U	1	
7	98506-05020-00	SCREW, PAN HEAD	2	
8	92906-05100-00	WASHER, SPRING	2	
9	38V-82921-00-00	HOLDER, LEVER 2	1	
10	4V4-82913-00-00	HOLDER, LEVER LOWER 1 ...	1	
11	23X-83922-00-00	LEVER 2	1	
12	90201-08083-00	WASHER, PLATE	1	
13	90109-06797-00	BOLT	1	
14	95601-06100-00	NUT, U	1	
15	98506-05020-00	SCREW, PAN HEAD	2	
16	92906-05100-00	WASHER, SPRING	2	
17	23X-83976-00-00	SWITCH, HANDLE 1	1	
18	437-83936-01-00	BAND, SWITCH CORD	2	